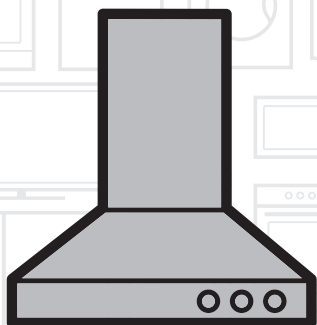


Hood

User Manual



HNU51311SH | HNU71311S
HNU51311SH | HNU51312S

EN | DE | FR | PL | CS
SK | ET | LV | LT

beko

Please read this user manual first!

Dear Valued Customer,

Thank you for preferring this Beko appliance. We hope that you get the best results from your appliance which has been manufactured with high quality and state-of-the-art technology. For this reason, please read this entire user manual and all other accompanying documents carefully before using the appliance and keep it as a reference for future use. If you handover the appliance to someone else, give the user manual as well. Follow the instructions by paying attention to all the information and warnings in the user manual.

Remember that this user manual may also apply to other models. Differences between models are explicitly described in the manual.

Meanings of the Symbols

Following symbols are used in various sections of this user manual:



Important information and useful hints about usage.



WARNING: Warnings against dangerous situations concerning the security of life and property.



Warning for danger of fire.



Warning for electric shock.



This appliance has been manufactured in environmentally friendly modern plants without giving any harm to the nature.

Complies with the WEEE regulation.



It does not contain PCB.

CONTENTS

ENGLISH	04-16
DEUTSCH	17-34
FRANÇAIS	35-51
POLSKI	52-69
ČESKY	70-85
SLOVENSKÝ	86-101
EESTI	102-115
LATVISKI	116-129
LIETUVĀ	130-145

01M-8808823200-2019
01M-8808833200-2019
01M-8808843200-2019
01M-8808853200-2019

1 Important safety and environmental instructions

1.1 General safety

- This appliance can be used by children aged 8 and above and by persons who have sufficient physical, sensory or mental capacity and have adequate experience and knowledge, on the condition that they are supervised or informed about the safe use of the appliance and the risks involved.
- Children should not tamper with the appliance. Cleaning and user maintenance procedures should not be performed by children unless they are controlled by their elders.
- This appliance is intended for domestic use.
- The operational voltage of your product is 220-240 Volts~50 - 60 Hz.
- A grounded plug is connected to the power cable of your appliance. This cable should be inserted in a grounded socket.
- Electrical installation should be carried out by a qualified electrician.
- Installation performed by unauthorised individuals may cause operation with low performance, damage in the appliance and accidents.
- It should be prevented the feeder cable from jamming in a place or getting crashed during the installation. The supply cable should not be placed near the hob. In such cases, the cable may melt and cause fire.
- Do not plug in before the product is installed.
- Ensure that the plug is in a place where it can be easily accessed to cut off the power in case of any danger.
- Do not touch the lamps if they have operated for a long time. They can burn your hands since they will be hot.
- Kitchen extractor hoods are manufactured for normal cooking and domestic use. In case of using for other purposes, the product might break down and the warranty will be void.
- Follow the regulations set out by competent authorities on discharge of the exhaust air (this warning is not applicable for use without flue).
- Flammable food should not be cooked under the appliance.
- Operate your appliance after putting a pot, pan etc. on the hob. Otherwise, high heat may cause

1 Important safety and environmental instructions

deformation in some parts of your product.

- Turn off the hob before taking the pot, pan etc. from it.
- Do not left hot oil on the hob. Pans with hot oil may cause self-combustion.
- Pay attention to your curtains and covers since oil may catch fire while cooking food such as fries.
- Ensure that the filters are changed on time. There is the risk of fire due to the oil building up on the filters that have not been changed on time.
- Do not use non-fire-resistant filtering materials instead of the filter.
- Do not operate the product without the filter, do not remove the filters while the product is running.
- In case of fire, cut off the power of the hood and cooking appliances. (Unplug the appliance or turn off the main switch).
- There is a risk of fire if the periodical cleaning is not performed properly.
- Cut off the power of your appliance before maintenance works. (Unplug the appliance or turn off the main switch).
- The negative pressure in the environment should not exceed 4 Pa (4 x 10 bar) while the hood for electric hob and appliances running on another type of energy but electricity operate simultaneously.
- In the environment where the appliance is being used, the exhaust of devices running on fuel oil or gas, such as room heater must be absolutely isolated or device must be hermetical type.
- When connecting the flue, use pipes with a diameter of 120 or 150 mm. Pipe connection must be as short as possible and have as few elbows as possible.
- Children should not tamper with the appliance.
- For your safety, use a fuse of "MAX 6 A" in the hood assembly.
- Keep the packaging materials away from children since they may pose a danger to them.
- If the supply cable is damaged, it must be replaced by the manufacturer, its service agent or similarly skilled personnel to avoid any danger.
- In case of fire, cut the power of the hood and hob and cover the flame. Never use water to put out the fire.

1 Important safety and environmental instructions

- When cooking appliances are running, their accessible parts may be hot.
- This product is not intended for use by persons (including children) with reduced physical, sensory or mental capabilities, or lack of experience and knowledge, unless they have been given supervision or instruction concerning the use of the product by a person responsible for their safety.
- When the installation of the hood for electric hobs is complete, there should be a minimum distance of 65 cm between the appliance and electric hobs.
- The hood outlet must not be connected to air channels that include other smoke.
- Care must be taken when the appliance is used with devices that use air and fuel (e.g. heaters; water heaters that are operated with gas, diesel fuel, coal, wood; or water heaters) in the same environment. This may adversely affect combustion since the hood discharges the air in the environment.
- This warning does not cover the use without flue.
- The ventilation in the room may be insufficient when the hood for

electric hob is used simultaneously with the devices operating on gas or other fuels (this may not apply to appliances that only discharge the air back into the room).

1.1 Compliance with the WEEE Directive and disposal of the waste product



This product does not include harmful or prohibited materials specified in the "Regulation for Supervision of the Waste Electric and Electronic Appliances" issued by the Ministry of Environment and Urbanisation. Conforms to the WEEE Regulation. This product has been made from high-quality parts and materials which can be recycled and re-used. Therefore, do not throw the product away with household and other waste at the end of its life. Take it to a collection point for recycling electrical and electronic devices. Contact local authorities for the collection points in your region. Help protect the environment and natural resources by recycling used products.

1.2 Package of the Appliance



The packaging used for your product is made of recyclable materials. Please en-

1 Important safety and environmental instructions

sure that the packaging materials are disposed as per the applicable local rules in order to include the materials in recycling process for environmentprotection.

1.3 Vital Risk Poisoning Risk



Pic. 1: Poisoning Risk



Pic. 2: Poisoning Risk



DANGER! **Warning - Risk of Suffocation**

Package materials are risky for children. Do not allow children to tamper with the packing materials.



DANGER! **Warning - Danger of Death**

Vital risk, poisoning risk occurs due to the reabsorbed combustion gases. For use with an air outlet, do not use the appliance simultaneously with objects that expel poisonous gases, such as stoves with air circulation, which operates with gas, oil, wood or charcoal, bath stoves, water heaters, etc., unless sufficient air is supplied. Pic. 3

Objects with air circulation (e.g. stoves that are operated with gas, oil, wood or charcoal, bath stoves, water heaters) retrieves the air from the installation place and expel the waste gas by means of a waste gas system (e.g. flue). Air is absorbed by the appliance during operation from the kitchen and neighboring rooms. Vacuuming occurs if sufficient amount of air is not supplied. In this case, poisonous gases are absorbed backed from the flue and waste gas duct and return into the home. Pic. 1

For this reason, it should be ensured that the clean air is always supplied sufficiently. Pic. 2

1 Important safety and environmental instructions

WARNING! **Danger of fire!**

Oil sludge on the oil filter may catch fire. Clean the oil filter at least once every three months. Do not operate the appliance without the oil filter.

Oil sludge on the oil filter may catch fire. Never work with flame near the appliance (e.g. flambé). It is only allowed to install the appliance near a heating equipment that is heated via solid fuel (e.g. wood or coal) provided that a closed cover that is not removable is available. There should be no sparks caused.

Hot vegetable oils and fat catch fire easily. Attention should always be paid to hot vegetable oils and fats. Do not try to put out the fire with water.

Turn off the hob. Carefully cover the flame with a lid, fire blanket or a similar object.



Gas hobs that have no cooking utensils on them generate high heat during operation. A ventilation device placed on the hob may therefore get damaged or burn. Operate gas hobs only when there is a cooking utensil on them.

Operating more than one gas hob simultaneously causes high heat. A ventilation device placed on the hob may therefore get damaged or burn. Do not operate two gas hobs at a high flame setting for more than 15 minutes. A burner with over 5kW (Wok) power is equal to the burner with two gas levels.

WARNING! **Risk of electric shock!**

A faulty appliance may cause electric shock. Do not operate any faulty appliance. Unplug it or shut down the fuse from the fuse box. Call the customer service centre.

Repairs that do not comply with the instructions pose a threat. Repairs and change of faulty electric cables should only be performed by a customer services technician trained by our company. If the appliance is faulty, unplug it or shut down the fuse from the fuse box. Call the customer service centre.

Water leaking into the appliance may cause electric shock. High pressure or steam cleaners must not be used.



1 Important safety and environmental instructions



DANGER! **Risk of injury!**

There is a risk of injury during installation due to the sharp edges. Always use protective gloves during installation of the appliance.

All safety bolts and safety covers should be installed as stated in the user manual due to the risk of falling of the appliance.

The objects on the appliance may fall down. Do not put any objects on the appliance.

The LED light is too bright and may harm your eyes (hazard group 1). Do not directly look at the LED light for more than 100 seconds.



CAUTION

Accessible parts may get hot when used with the cooking equipment.



In case of repair procedures that have not been performed appropriately or according to the rules, please shut down the fuse or unplug the appliance. Repair works may only be carried out by the authorised service or authorised skilled personnel.

In case of repair procedures that have not been performed appropriately or according to the rules, please shut down the fuse or unplug the appliance. Repair works may only be carried out by the authorised service or authorised qualified personnel.



DANGER! **Risk of burning, risk of electric shock!**

Wait for the appliance to cool down before cleaning or maintenance works. Shut down the fuse or unplug the appliance.

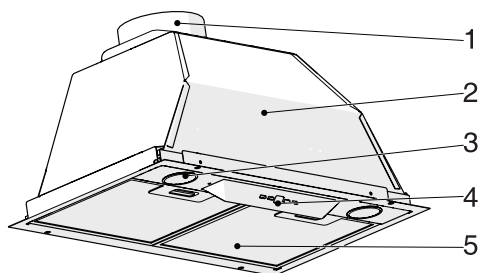
Risk of damage occurs due to the humidity intrusion into the electronics. Never clean the controllers with a wet cloth.

Surface may be damaged due to improper cleaning. Clean the stainless steel surfaces only in the direction of brushing. Do not use stainless steel cleaner for controllers.

The surface may be damaged due to abrasive or rubbing cleaning agents. Never use abrasive or rubbing cleaning agents.

2 General appearance

2.1 Overview



1. Air Exhaust Flue
2. Body
3. Hob Lighting
4. Control Panel
5. Aluminum Oil Filter

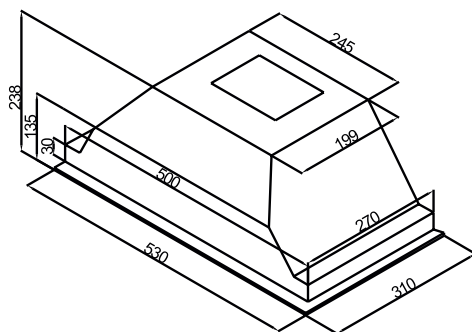
2.2 Technical Data

CE This appliance complies with the European CE Directive numbered 2014/30/EU (Electromagnetic Compatibility Directive) and 2014/35/EU (Low Voltage Directive (LVD)).

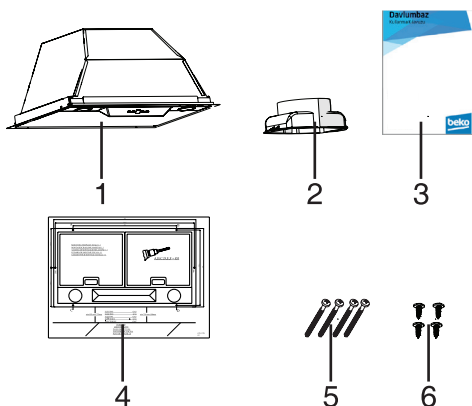
Supply Voltage	220-240V 50 Hz.
Lamp Power (W)	2x3 W
Motor Power (W)	1x125 W
Motor Insulation Class	F
Insulation Class	CLASS I

Technical and design modifications are reserved. The dimensions presented in the technical drawings are in mm. This image is only provided to inform about the parts of the appliance. Parts may vary according to the model of the appliance. Pictures are provided in a representative manner.

2.3 Scaled Technical Drawing



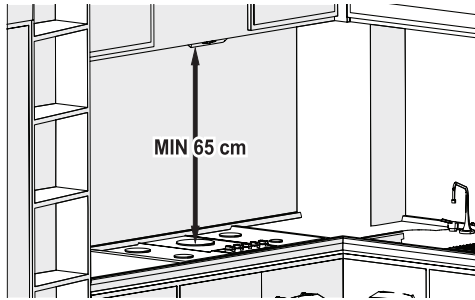
2.4 Package Content



1. Hood
2. Ø120 mm Plastic Flue
3. User Manual
4. Installation Draft
5. 4x4x40 Screw (Used for Installation of Hood)
6. 3.5x9.5 Screw (Used for Installation of Plastic Flue)

3 Installation and Use of the Appliance

3.1 Position of the Appliance



- Attention should be paid to the distance between the hob and hood before installation. This distance should be 65 cm.
- The measure must be taken from the grill surface on gas hobs and from the glass surface on electric hobs.



Your new appliance is especially energy efficient. You will find here some advises on how to save more energy while using the appliance, and required to destroy the appliance in a proper way.

3.2 Things to do for energy saving;

- Ensure sufficient air intake to make the hood operate efficiently and with low operation noise during cooking.
- Set the fan level according to the density of steam in kitchen. Use the high level only when needed. A lower fan level means less energy consumption.
- If dense smoke is expected in the kitchen, select a higher level of fan in advance. It is required to operate the hood much longer to remove the smoke already spread all over kitchen.
- Turn off the hood when not in use.
- Clean or replace the filter at intervals stated,

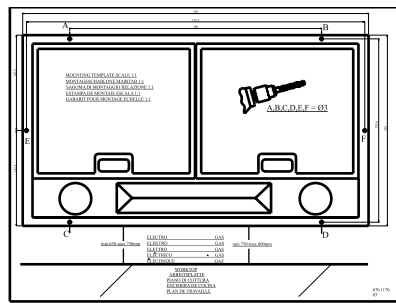
thus, the efficiency of the ventilation is increased and the risk of fire is eliminated.

3.3 Installation of the Appliance



CAUTION

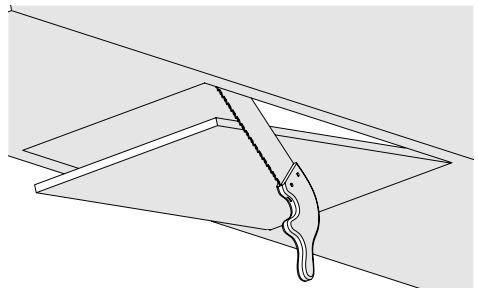
Use protective gloves and glasses while performing drilling and cutting operations.



Pic. 6

Drilling Mounting Holes

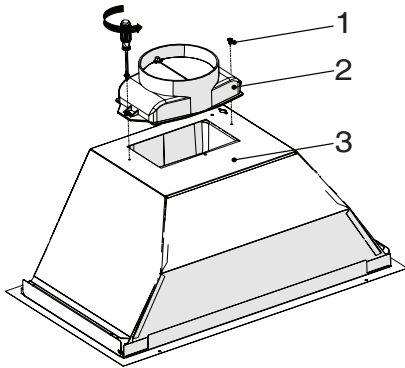
- Adhere the installation template provided with the appliance onto the surface on which the installation will be carried out.
- Drill the holes indicated on the installation draft with A, B, C, D using a $\varnothing 4$ mm drill bit. Pic. 6



Pic. 7

- Cut the lower surface of the cabinet where the hood will be installed in the dimensions specified in the technical drawing (Pic. 7).

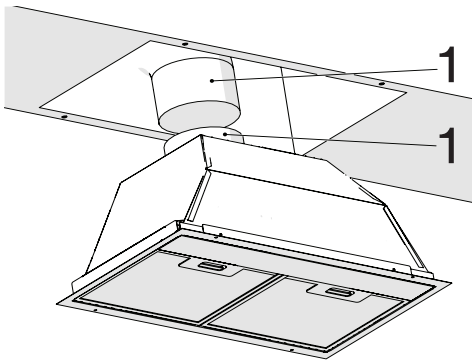
3 Installation and Use of the Appliance



Pic. 8

1. 3.5 x 9.5 Screw
2. Ø 120 mm Plastic Flue
3. BodyValve Pin Socket

- Attach the plastic flue contained in the package to the body of the appliance using 2 screws 3.5 x 9.5. (Pic. 8) Do not rub it against the surface. (Pic. 8)



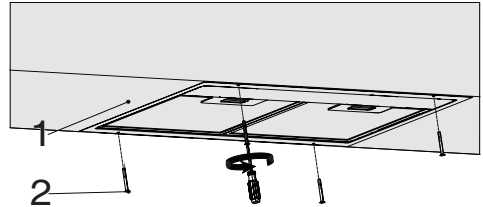
Pic. 9

1. Air discharge pipe
 2. Air exhaust flue of the hood
- Attach the air discharge pipe to the air exhaust flue and fasten via clamp (Pic. 9).



CAUTION

As the bends and elbows in the aluminum pipe will cause decrease in the air suction power, using these must be avoided as much as possible.

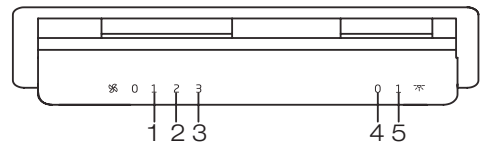


Pic. 10

1. Kitchen cabinet bottom view
 2. 4x40 hood installation screw
- Place the hood into the kitchen cabinet and attach the hood to 4 installation holes drilled before (Pic. 10).

3.4 Use of the Appliance

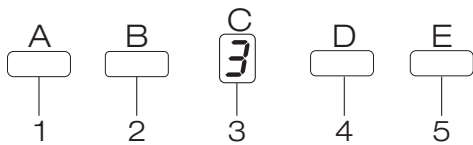
3.4.1 Use of the Rocker Switch



- Bring the lamp switch to position '0' to turn off the lamp.
- Bring the lamp switch to position '1' to turn on the lamp.
- Bring the motor switch to position '0' to turn off the motor.
- You can operate the motor in the 1st speed level minimum and in the 3rd speed level maximum according to the density of cooking steam.

3 Installation and Use of the Appliance

3.4.2 Use of the Digital Switch



- A- 1. Level Button
- B- 2. Level Button
- C- Digital Display
- D- 3. Level Button
- E- Lamp On/Off Button

(A) Button: The hood operates in 1st speed level by pressing this button. (Displayed on the screen) The screen and hood turn off when you press this button again to switch off the appliance.

(B) Button: The hood operates in 2nd speed level by pressing this button. (Displayed on the screen) The screen and hood turn off when you press this button again to switch off the appliance.

(E) Button: The hood operates in 3rd speed level by pressing this button. (Displayed on the screen) The screen and hood turn off when you press this button again to switch off the appliance.

(C) Digital Display: It shows the selected speed and warning symbols.

(D) Lamp On/Off button: You can illuminate the cooking area by pressing this button.

Cleaning Periods for Metal Filters: Filters should be cleaned when "C" symbol is shown on the display (every 60 hours) or every four weeks (according to use). Press and hold down the button A for more than 3 seconds (while the appliance is off) to delete the "C" symbol after cleaning and installing the filters. The letter E will be shown on the display and it will switch to normal operation. If you want to operate the appliance without deleting the C signal, the active speed will be shown for 1 second when you press any of the level buttons and the

motor will continue to operate in the selected level after the C signal is shown again.

Automatic Stop 15 mins.: The appliance has an automatic stop feature to eliminate the odour, to discharge the steam after cooking is complete, and to have the appliance stopped automatically while ventilating the environment for a while.

To activate the automatic stop feature, press the same button (A, B, D) according to the current speed level for 3 seconds. At the end of operation for 15 minutes, all operating functions of your appliance will stop.

Automatic stop feature will be deactivated and the motor of the appliance will stop when you press the same button corresponding to the speed level while the automatic stop feature is active. This feature will be deactivated when you switch to different speed levels. If you want the appliance to stop automatically, you need to reactivate the automatic stop function of the appliance.

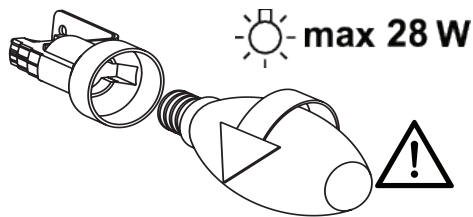
3.5 Lamp Replacement

3.5.1 Candle Bulb Replacement



WARNING

Cut the power supply of the hood. Lamps may burn your hands while hot, so wait for them to cool down.



Pic. 11: Candle Bulb Replacement

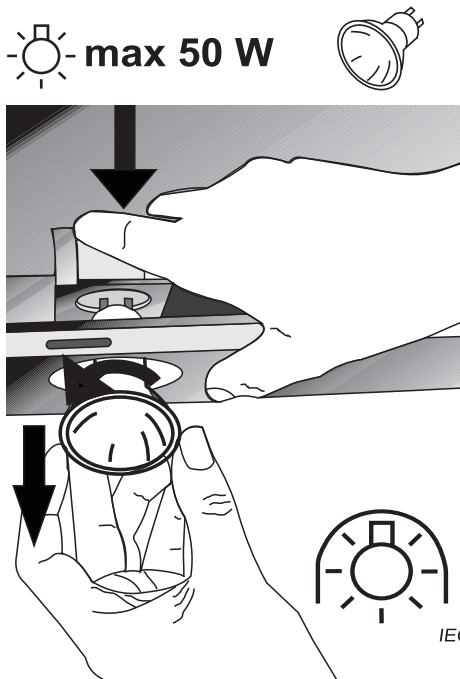
- Remove the aluminum cartridge filter. Remove the faulty lamp and replace it with the one having the same value. Pic. 11

3 Installation and Use of the Appliance

3.5.2 Replacement of Halogen Lamp

Pic. 12: Replacement of Halogen Lamp

- In order to replace the halogen lamps; press down from the back of lamp holder and remove the lamp downwards and then turn a little bit counter-clockwise and remove downwards. Pic. 12



WARNING

Use only self-protection tungsten halogen lamp or self-protection metal halide lamp.



NOTE:

If the appliance breaks down or gets damaged, shut down the fuse or unplug the appliance and call the authorised service agent.



NOTE:

If the supply cable is damaged, it must be replaced by the manufacturer, its service agent or similarly qualified personnel to avoid any danger.




NOTE:

Shut down the fuse or unplug the appliance in case of breakdown of the lamps of the appliance. Replace immediately the faulty lamps in order to prevent other lamps from being overloaded (wait for the lamps to cool down first).


4 Cleaning and Maintenance

CAUTION




Risk of damage due to the corrosion damage. Always operate the appliance while cooking in order to prevent condensate formation. Condensate may cause corrosion damage. Replace immediately the faulty lamps in order to prevent other lamps from being overloaded. The risk of damage occurs due to the humidity intrusion to the electronics. Never clean the controllers with a wet cloth. Surface may be damaged due to improper cleaning. Clean the stainless steel surfaces only in the direction of brushing. Do not use stainless steel cleaner for controllers. The surface may be damaged due to abrasive or rubbing cleaning agents. Never use abrasive or rubbing cleaning agents. There is the risk of damage due to backflow of condensate. Install the air outlet duct with a slope of 1°, slightly downwards the appliance.

CAUTION



You can use this appliance in waste air mode and in air circulation mode.

Waste air mode



Absorbed air is cleaned by oil filters and expelled by means of a piping system. (Pic. 3) If you want to transfer the waste air to a disabled smoke or waste gas flue, you have to obtain permission from an authorised flue cleaning specialist. If the waste air is expelled over the external wall, a telescopic wall frame should be used.



Absorbed air is cleaned by oil filters and an active carbon filter and retransferred to the kitchen. Pic. 4



NOTE!

The waste air should not be transferred to a smoke or waste gas flue, nor to a flue used for ventilation of the places where heating sources are installed.



To seal the materials causing odour in the circulating air mode, you should install an active carbon filter. Consult your authorised dealer to learn different opportunities for operating the appliance in the circulating air mode. You can buy accessories necessary for this procedure from relevant points of sale, authorised service agents or online sales centre.

The appliance you have purchased is suitable for use with carbon filter. To attach the carbon filter;

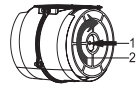
- 1- Place the carbon filter into its housing. Pic. 15/1
- 2- Turn the carbon filter clockwise to make sure that it is tightly inserted. Pic. 15/2



Res.13



Res.14



Res.15



If the carbon filter is not properly attached, it can fall and damage your product.



CAUTION

Never wash the carbon filters. Keep the carbon filters away from children.

4 Cleaning and Maintenance



CAUTION

Cleaning and user maintenance should not be performed by children without supervision.

- The surface may be damaged due to abrasive or rubbing cleaning agents. Never use abrasive and rubbing cleaning agents. Acquire the cleaning agents and protective materials suitable for your appliance from your authorised service. The surface of the appliance and the controllers are sensitive to scratching.
- Clean the surfaces with a soft and damp cloth, dishwashing liquid or a soft glass cleaning agent. Soften the dried and adhered dirt with a damp cloth. Do not scratch out!
- Dry cloths, sponges that may scratch, materials that require rubbing, sand and the other effective cleaning agents containing mineral water, acid or chloride are not suitable.
- Clean the stainless steel surfaces only in the direction of grinding.
- Do not use stainless steel cleaning agent or wet cloths for control units. Cleaning the metal oil filters Used metallic oil filters hold the humidity generated in the kitchen and the oily particles contained within the steam. In case of regular use (1 to 2 hours per day), clean the metal oil filters about once every 3 months.
- Do not use over-effective, acidified or corrosive cleaning agents.
- For the cleaning of the metal oil filters, use a damp cloth to clean holding parts of metal oil filters inside the appliance.
- You can clean the metal oil filters in the dishwasher or by hand.
- Do not apply spray cleaning agents directly on the appliance.
- Do not put flammable and/or heavy decorative items on the appliance.

4.1 Washing in the Dishwasher

- In case of washing in the dishwasher, slight discoloration may occur. This does not affect the function of the metal oil filter.
- Do not wash heavily soiled metal oil filters together with the dishes.

- Place the metal oil filters in the dishwasher loosely or freely. Metal oil filters should be placed in the dishwasher without being jammed.

4.2 Washing By Hand

- You can use a special oil dissolving agent for stubborn dirt. You can get this agent from the authorised sales center.
- Soften the metal oil filter in hot water containing dishwashing liquid.
- Use a brush for cleaning and wait for the liquid on the metal oil filter to be drained well. Rinse the filters well after cleaning.
- Technical specifications and this manual may be changed without prior notice.
- This appliance complies with the Regulation for Supervision of the Waste Electric and Electronic Equipment.
- This hood is designed to be used over the hob. Make sure that the wall can bear the weight of the hood. Cost of crushing, cutting and similar procedures to be carried out on the wall or cabinet during installation should be covered by the consumer. The hood may be used with a flue system that discharges the air, or without a flue (by attaching the carbon filter). Pay attention to the matters that may be encountered before or during the installation. Installation should be performed by the authorised service agent. Installation should be carried out by an authorised specialist who has knowledge of ventilation. Service life of the appliance identified by the Ministry of Industry (period of availability for the spare parts required for the performance of functions of the appliance) is 10 (ten) years.
- Your appliance must be kept in its original packaging to avoid damage to its components during handling and transportation.
- Keep the appliance in its normal position during handling.
- Do not drop the appliance and protect it against damage during transportation. Warranty does not cover the faults and damages occurred during transportation after delivery of the appliance to the customer.

Bitte lesen Sie zunächst diese Anleitung!


Sehr geehrte Kundin, sehr geehrter Kunde,

Vielen Dank, dass Sie sich für dieses Gerät der Marke Beko entschieden haben. Wir hoffen, dass Sie mit diesem Gerät, das mit den höchsten Qualitätsanforderungen und modernster Technologie hergestellt wurde, beste Ergebnisse erzielen. Bitte lesen Sie die gesamte Bedienungsanleitung und alle anderen Begleitdokumente aufmerksam, bevor Sie das Gerät verwenden; bewahren Sie sie zum künftigen Nachschlagen sicher auf. Wenn Sie das Gerät an jemanden weitergeben, händigen Sie ihm bitte auch diese Anleitung aus. Befolgen Sie die Anweisungen, indem Sie alle Informationen und Warnhinweise in der Bedienungsanleitung beachten.

Bitte denken Sie daran, dass diese Bedienungsanleitung eventuell für mehrere Modelle geschrieben wurde. Unterschiede zwischen den Modellen werden in der Anleitung klar und deutlich beschrieben.

Bedeutung der Symbole

Folgende Symbole werden in den verschiedenen Abschnitten dieser Anleitung verwendet:

	Wichtige Informationen und nützliche Tipps zur Verwendung.
--	--

	WARNUNG: Warnhinweise zu gefährlichen Situationen im Hinblick auf die Sicherheit von Leib, Leben und Eigentum.
--	---

	Warnung vor Brandgefahr.
---	--------------------------

	Warnung vor Stromschlägen.
--	----------------------------



Dieses Gerät wurde in umweltfreundlichen, modernen Einrichtungen ohne schädliche Auswirkungen auf die Natur hergestellt.

Das Gerät erfüllt die Vorgaben der WEEE-Richtlinie.



Es enthält kein PCB.

1 Wichtige Hinweise zu Sicherheit und Umwelt

1.1 Allgemeine Sicherheit

- Dieses Gerät darf von Kindern ab 8 Jahren sowie von Personen mit eingeschränkten körperlichen, sensorischen oder mentalen Fähigkeiten oder ohne spezielles Wissen oder Erfahrung verwendet werden, sofern sie beaufsichtigt werden oder ausreichend in den sicheren Umgang mit dem Produkt und die damit verbundenen Gefahren eingewiesen wurden.
- Kinder dürfen nicht mit dem Gerät hantieren. Reinigungs- und Wartungsarbeiten dürfen nicht von Kindern ausgeführt werden, sofern diese nicht durch einen Erwachsenen beaufsichtigt werden.
- Dieses Gerät ist für den privaten Gebrauch bestimmt.
- Die Betriebsspannung Ihres Gerätes beträgt 220 bis 240 Volt Wechselspannung, 50 bis 60 Hz.
- Ein geerdeter Stecker ist an das Netzkabel des Gerätes angeschlossen. Dieser Stecker muss in eine geerdete Steckdose eingesteckt werden.
- Die elektrische Installation muss von einem qualifizierten Elektriker durchgeführt werden.
- Von unautorisierten Personen durchgeführte Installationen können einen Betrieb mit geringer Leistung, Geräteschäden und Unfälle zur Folge haben.
- Achten Sie darauf, dass das Netzkabel während der Installation nicht eingeklemmt oder beschädigt wird. Das Netzkabel darf sich nicht in der Nähe des Kochfeldes befinden. Andernfalls könnte das Kabel schmelzen und einen Brand verursachen.
- Nicht einstecken, bevor das Produkt installiert ist.
- Achten Sie darauf, dass sich der Netzstecker an einer leicht zugänglichen Stelle befindet, damit er im Notfall schnell herausgezogen werden kann.
- Berühren Sie die Lampen nicht, falls sie lange Zeit in Betrieb waren. Sie könnten sich die Finger verbrennen, da die Lampen heiß werden.
- Die Abzugshauben wurden zum normalen Kochen und für den privaten Hausgebrauch hergestellt. Falls Sie das Produkt für andere Zwecke nutzen, könnte es beschädigt werden und erlischt die Garantie.
- Befolgen Sie die von zuständigen Behörden festgelegten Richtlinien zum Abführen von Abluft (diese

1 Wichtige Hinweise zu Sicherheit und Umwelt

Warnung ist bei Einsatz ohne Abzug nicht zutreffend).

- Entflammbare Lebensmittel sollten unter dem Gerät nicht zubereitet werden.
- Nehmen Sie Ihr Gerät erst in Betrieb, wenn Sie ein Kochgeschirr auf das Kochfeld gestellt haben. Andernfalls könnte hohe Hitze zur Verformung einiger Teile Ihres Geräts führen.
- Schalten Sie die Kochfelder ab, bevor Sie das Kochgeschirr herunternehmen.
- Lassen Sie kein heißes Öl auf das Kochfeld gelangen. Kochgeschirr mit heißem Öl kann sich selbst entzünden.
- Achten Sie auf Vorhänge und Abdeckungen, da Öl beim Zubereiten von Lebensmitteln, wie Pommes frites, Feuer fangen kann.
- Achten Sie darauf, die Filter rechtzeitig zu wechseln. Wenn Filter nicht rechtzeitig gewechselt werden, besteht durch das an den Filtern angesammelte Öl Brandgefahr.
- Verwenden Sie kein nicht feuerbeständiges Filtermaterial anstelle der Filter.
- Verwenden Sie das Gerät nicht ohne Filter. Entfernen Sie die Filter nicht, während das Gerät läuft.
- Trennen Sie bei einem Feuer die Stromversorgung von Dunstabzugshaube und Kochgeräten. (Ziehen Sie den Netzstecker oder betätigen Sie den Hauptschalter.)
- Falls das Gerät nicht regelmäßig gereinigt wird, besteht Brandgefahr.
- Trennen Sie vor Wartungsarbeiten die Stromversorgung Ihres Gerätes. (Ziehen Sie den Netzstecker oder betätigen Sie den Hauptschalter.)
- Der Unterdruck der Umgebung darf 4 Pa (4 x 10 bar) nicht überschreiten, während die Dunstabzugshaube für das elektrische Kochfeld und Geräte mit einer anderen Energiequelle als Strom gleichzeitig laufen.
- Falls sich ein mit Heizöl oder Brenngasen betriebenes Gerät, z. B. Heizungen, in der Nähe der Dunstabzugshaube befindet, muss die Abluft dieses Gerätes vollständig isoliert sein oder es muss hermetisch sein.
- Verwenden Sie zum Anschluss des Abzugs Rohre mit einem Durchmesser von 120 oder 150 mm. Der

1 Wichtige Hinweise zu Sicherheit und Umwelt

Rohranschluss muss möglichst kurz sein und sollte möglichst wenige Biegungen aufweisen.

- Kinder dürfen nicht mit dem Gerät hantieren.
- Verwenden Sie zu Ihrer eigenen Sicherheit in der Installation der Dunstabzugshaube eine Sicherung von max. 6 A.
- Halten Sie Verpackungsmaterialien von Kindern fern, da diese eine Gefahr darstellen können.
- Falls das Netzkabel beschädigt ist, muss es zur Vermeidung von Gefahren vom Hersteller, seinem Kundencenter oder einer vergleichbar qualifizierten Personen ersetzt werden.
- Trennen Sie bei einem Feuer die Stromversorgung von Dunstabzugshaube und Kochfeld und ersticken Sie die Flammen. Löschen Sie ein Feuer niemals mit Wasser.
- Wenn Kochgeräte laufen, werden ihre zugänglichen Teile möglicherweise heiß.
- Dieses Gerät ist nicht zur Nutzung durch Personen (einschließlich Kindern) vorgesehen, die über reduzierte körperliche Eignung, Wahrnehmung oder geistige Fähigkeiten, Mangel an Erfahrung und Wissen verfügen, sofern diese Personen nicht von einer verantwortlichen Person beaufsichtigt werden oder in der Verwendung des Gerätes unterwiesen wurden.
- Der Abstand zwischen Dunstabzugshaube und elektrischen Kochfeldern sollte mindestens 65 cm betragen.
- Der Auslass der Dunstabzugshaube darf nicht an Luftkanäle angeschlossen werden, die auch andere Abluft abführen.
- Seien Sie vorsichtig, wenn das Produkt in derselben Umgebung wie andere mit Luft und Kraftstoff betriebene Geräte (z. B. Heizungen oder mit Gas, Diesel, Kohle oder Holz betriebene Warmwasserbereiter) verwendet wird. Deren Verbrennung könnte beeinträchtigt werden, da die Abzugshaube die Umgebungsluft absaugt.
- Diese Warnung gilt nicht für den Einsatz ohne Abzug.
- Die Belüftung im Raum reicht möglicherweise nicht aus, wenn die Abzugshaube für das elektrische Kochfeld gemeinsam mit Geräten, die mit Gas oder anderen Kraftstoffen laufen, betrieben


1 Wichtige Hinweise zu Sicherheit und Umwelt

wird (dies trifft möglicherweise nicht auf Geräte zu, die Luft zurück in den Raum abgeben).

1.1 Konformität mit der WEEE-Richtlinie und Entsorgung von Altprodukten

 Dieses Gerät enthält keine der in der vom Ministerium für Umwelt und Städteplanung ausgestellten „Regulierung zur Überwachung elektrischer und elektronischer Altgeräte“ angegebenen gefährlichen oder verbotenen Materialien. Dieses Gerät erfüllt die WEEE-Richtlinie. Dieses Gerät wurde aus qualitativ hochwertigen Teilen und Materialien hergestellt, die recycelt und wiederverwendet werden können. Entsorgen Sie das Gerät am Ende seiner Einsatzzeit daher nicht über den Hausmüll oder andere Abfälle. Geben Sie das Gerät bei einer Sammelstelle ab, die für das Recycling von elektrischen und elektronischen Geräten zuständig ist. Erkundigen Sie sich bei Ihrer Stadtverwaltung nach Sammelstellen in Ihrer Region. Durch das Recycling von Altgeräten tragen Sie zum Schutz der Umwelt und zur Wiederverwendung natürlicher Rohstoffe bei.

1.2 Verpackung des Geräts

 Die Geräteverpackung besteht aus recyclingfähigen Materialien. Bitte achten Sie darauf, dass die Verpackungsmaterialien entsprechend den geltenden örtlichen Gesetzen entsorgt

werden, damit die Materialien zum Schutz der Umwelt dem Recycling zugeführt werden.

1.3 Lebensgefahr Vergiftungsgefahr



Abb. 1: Vergiftungsgefahr



Abb. 2: Vergiftungsgefahr



Gefahr! **Warnung -** **Erstickungsgefahr**

Verpackungsmaterialien sind für Kinder gefährlich. Lassen Sie Kinder nicht mit den Verpackungsmaterialien spielen.

1 Wichtige Hinweise zu Sicherheit und Umwelt



Gefahr! **Warnung - Lebensgefahr**

Lebensgefahr, Vergiftungsgefahr durch Einatmen von Verbrennungsgasen. Verwenden Sie das Gerät beim Einsatz mit einem Luftauslass nicht gemeinsam mit Gegenständen, die giftige Gase ausstoßen, wie z. B. Öfen mit Luftzirkulation, Badezimmeröfen, Warmwasserbereitern usw., die mit Gas, Öl, Holz oder Kohle betrieben werden, sofern keine angemessene Versorgung mit Frischluft gewährleistet ist. Abb. 3

Gegenstände mit Luftzirkulation (z. B. mit Gas, Öl, Holz oder Kohle betriebene Öfen, Badezimmeröfen, Warmwasserbereiter) verbrauchen die Luft am Installationsort und stoßen über ein Abgassystem (z. B. Abzug) Abgase aus. Während des Betriebs saugt das Gerät Luft aus der Küche und benachbarten Räumen ab. Ein Vakuum entsteht, wenn die Umgebung nicht mit genügend frischer Luft versorgt wird. In diesem Fall könnte giftiges Gas aus Abzug und Abgassystem zurück in den Raum und in die Wohnumgebung strömen. Abb. 1

Aus diesem Grund muss immer eine angemessene Versorgung mit sauberer Luft gewährleistet sein. Abb. 2



Warnung! **Brandgefahr!**

Ölschlamm am Ölfilter kann Feuer fangen. Reinigen Sie den Ölfilter mindestens einmal alle drei Monate. Betreiben Sie das Gerät nie ohne Ölfilter.

Ölschlamm am Ölfilter kann Feuer fangen. Arbeiten Sie in der Nähe des Gerätes niemals mit offenen Flammen (z. B. zum Flambieren). Das Gerät darf nur dann in der Nähe eines mit Festbrennstoff (z. B. Holz oder Kohle) betriebenen Heizgerätes installiert werden, wenn dieses über eine geschlossene, nicht abnehmbare Abdeckung verfügt. Es dürfen keine Funken verursacht werden.

Heißes Pflanzenöl und Fett fangen leicht Feuer. Seien Sie bei heißen Pflanzenölen und Fetten immer vorsichtig. Versuchen Sie niemals, ein Fett- oder Ölfeuer mit Wasser zu löschen.

Schalten Sie zuerst das Kochfeld aus. Decken Sie die Flamme mit einem Deckel, einer Feuerlöschdecke oder einem ähnlichen Gegenstand ab.

1 Wichtige Hinweise zu Sicherheit und Umwelt



Gasherde, auf denen sich keine Kochutensilien befinden, erzeugen während des Betriebs große Hitze. Daher kann eine darüber installierte Abzugshaube beschädigt werden oder Feuer fangen. Betreiben Sie Gasherde nur, wenn sich ein Kochutensil darauf befindet.

Wenn gleichzeitig mehr als ein Gaskochfeld in Betrieb ist, entsteht große Hitze. Daher kann eine darüber installierte Abzugshaube beschädigt werden oder Feuer fangen. Lassen Sie zwei Gaskochfelder nicht länger als 15 Minuten bei hoher Flammenstufe arbeiten. Ein Brenner mit mehr als 5 kW Leistung (Wok) entspricht einem Brenner mit zwei Gasstufen.



Warnung! **Gefahr von** **Stromschlägen!**

Ein fehlerhaftes Gerät kann Stromschläge verursachen. Nehmen Sie ein fehlerhaftes Gerät nicht in Betrieb. Trennen Sie den Netzstecker oder deaktivieren Sie die Sicherung im Sicherungskasten. Wenden Sie sich an den Kundendienst.

Nicht mit den Anweisungen übereinstimmende Reparaturen bergen Gefahren. Ein defektes Netzkabel darf nur von einem Kundendienstmitarbeiter, der von unserem Unternehmen geschult wurde, repariert oder gewechselt werden. Trennen Sie den Netzstecker oder deaktivieren Sie die Sicherung im Sicherungskasten, falls das Gerät defekt ist. Wenden Sie sich an den Kundendienst.

Wenn Wasser in das Gerät gelangt, besteht Stromschlaggefahr. Hochdruck- oder Dampfreiniger dürfen nicht daran verwendet werden.

1 Wichtige Hinweise zu Sicherheit und Umwelt



Gefahr! **Verletzungsgefahr!**

Aufgrund scharfer Kanten besteht während der Installation Verletzungsgefahr. Tragen Sie während der Installation des Geräts immer Sicherheitshandschuhe.

Alle Sicherungsbolzen und Schutzabdeckungen müssen entsprechend den Anweisungen in der Bedienungsanleitung montiert werden, damit das Gerät nicht herunterfällt.

Geräte auf dem Gerät könnten herunterfallen. Stellen Sie keine Gegenstände auf dem Gerät ab.

Das LED-Licht ist sehr hell und könnte Ihren Augen schaden (Gefahrengruppe 1). Blicken Sie nicht länger als 100 Sekunden direkt in das LED-Licht.



Achtung

Zugängliche Teile können bei Verwendung mit Kochgeräten heiß werden.



Wurde eine Reparatur unsachgemäß oder vorschriftswidrig ausgeführt, schalten Sie die Gerätesicherung ab oder ziehen Sie den Gerätestecker heraus. Reparaturarbeiten dürfen nur von autorisiertem Servicepersonal durchgeführt werden.

Wurde eine Reparatur unsachgemäß oder vorschriftswidrig ausgeführt, schalten Sie die Gerätesicherung ab oder ziehen Sie den Gerätestecker heraus. Reparaturarbeiten dürfen nur von autorisiertem Servicepersonal durchgeführt werden.

1 Wichtige Hinweise zu Sicherheit und Umwelt



Gefahr! Verbrennungsgefahr, Stromschlaggefahr!

Warten Sie, bis sich das Gerät abgekühlt hat, bevor Sie Reinigungs- oder Wartungsarbeiten durchführen. Deaktivieren Sie vorher die Sicherung oder ziehen Sie den Netzstecker.

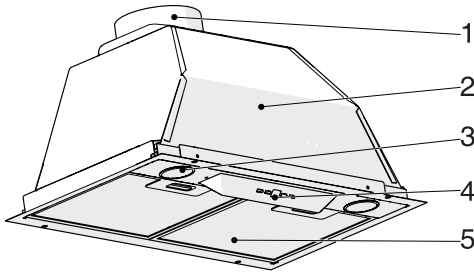
Wenn Feuchtigkeit in Elektronik eindringt, können Schäden auftreten. Reinigen Sie die Bedienelemente niemals mit einem nassen Tuch.

Die Oberflächen können aufgrund unsachgemäßer Reinigung beschädigt werden. Reinigen Sie Edelstahlfächen nur in Bürstrichtung. Verwenden Sie für die Bedienelemente keine Edelstahlreiniger.

Die Oberfläche könnte aufgrund scheuernder oder reibender Reinigungsmittel beschädigt werden. Verwenden Sie niemals scheuernde oder reibende Reinigungsmittel.

2 Aufbau

2.1 Übersicht



1. Abluftkanal
2. Gehäuse
3. Kochfeldbeleuchtung
4. Bedienfeld
5. Aluminium-ÖlfILTER

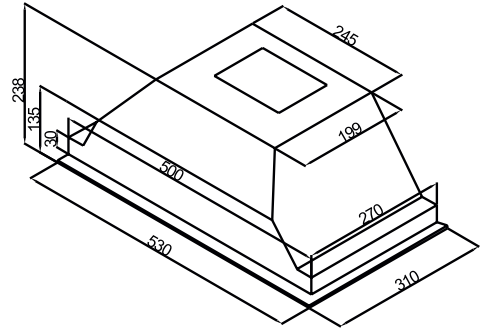
2.2 Technische Daten

CE Dieses Gerät erfüllt die europäischen CE-Richtlinien 2014/30/EU (Richtlinie über elektromagnetische Verträglichkeit) und 2014/35/EU (Niederspannungsrichtlinie).

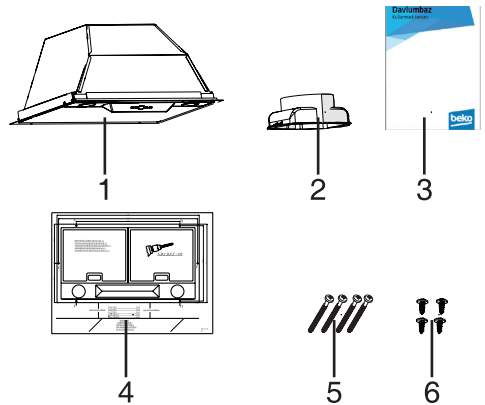
Versorgungsspannung	220 - 240 V, 50 Hz.
Lampenleistung (W)	2 x 3 W
Motorleistung (W)	1 x 125 W
Motor-Isolationsklasse	F
Isolationsklasse	Klasse I

Technische und optische Änderungen vorbehalten. Die in den technischen Zeichnungen angegebenen Abmessungen sind in mm. Die Abbildung dient nur dazu, über die Teile des Gerätes zu informieren. Teile können je nach Gerätemodell variieren. Die Abbildungen dienen nur der Veranschaulichung.

2.3 Maßstabgetreue technische Zeichnung



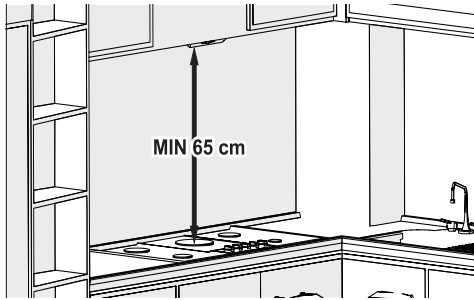
2.4 Lieferumfang



1. Dunstabzugshaube
2. Kunststoffabzug ($\varnothing 120$ mm)
3. Bedienungsanleitung
4. Installationsentwurf
5. Schrauben 4 x 4 x 40 (zur Installation der Abzugshaube)
6. Schrauben 3,5 x 9,5 (zur Installation des Kunststoffabzugs)

3 Installation und Verwendung des Geräts

3.1 Gerät positionieren



- Achten Sie vor der Installation auf den Abstand zwischen Kochfeld und Abzugshaube. Der Abstand sollte 65 cm betragen.
- Messen Sie dazu ab der Gitterfläche von Gaskochfeldern bzw. ab der Glasfläche von elektrischen Kochfeldern.



Ihr neues Gerät ist besonders energieeffizient. Hier finden Sie einige Hinweise, wie Sie bei Verwendung des Gerätes zusätzliche Energie sparen können. Außerdem erfahren Sie hier mehr über die sachgemäße Außerbetriebnahme des Gerätes.

3.2 Hinweise zum Energiesparen

- Gewährleisten Sie eine angemessene Luftzufuhr, damit die Abzugshaube effizient und möglichst leise arbeiten kann.
- Stellen Sie die Gebläsestufe entsprechend der Dichte der Küchenabgase ein. Verwenden Sie eine hohe Stufe nur im Bedarfsfall. Eine geringere Gebläsestufe bedeutet geringeren Stromverbrauch.
- Falls dichter Rauch in der Küche zu erwarten ist, sollten Sie vorab eine höhere Gebläsestufe einstellen. Zur Entfernung von weit in der Küche verteiltem Rauch muss die Abzugshaube deutlich länger arbeiten.

- Schalten Sie die Dunstabzugshaube aus, wenn nicht gekocht wird.
- Reinigen oder wechseln Sie den Filter in den angegebenen Intervallen. Dies erhöht die Belüftungseffizienz und eliminiert die Brandgefahr.

3.3 Montage des Geräts



Achtung

Tragen Sie beim Bohren und Schneiden immer Sicherheitshandschuhe und eine Schutzbrille.

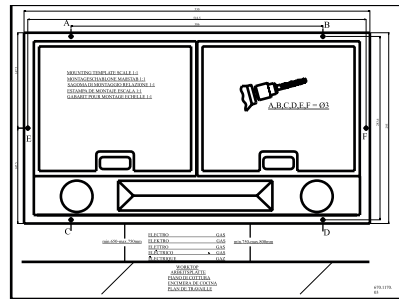


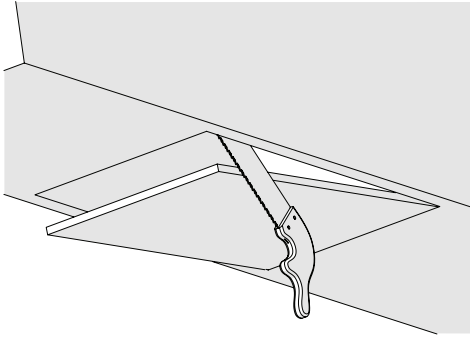
Abb. 6

Montagelöcher bohren

- Heften Sie die mitgelieferte Installationsschablone auf die Fläche, an der die Installation ausgeführt werden soll.
- Bohren Sie mit einem 4 mm-Bohrer Löcher in die mit A, B, C, und D an der Installationsschablone gekennzeichneten Stellen. Abb. 6

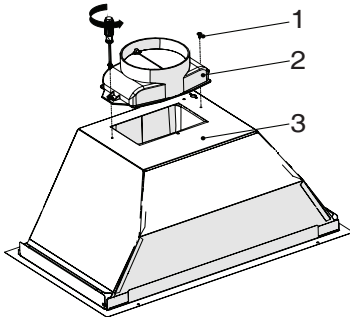
Abb. 7

3 Installation und Verwendung des Geräts



- Schneiden Sie die Bodenfläche des Schrankes aus, in der die Abzugshaube installiert werden soll. Beachten Sie die Abmessungen in der technischen Zeichnung (Abb. 7).

Abb. 8



1. Schrauben 3,5 x 9,5
 2. Kunststoffabzug (Ø 120 mm)
 3. Gehäuseventilnadelhalter
- Bringen Sie den mitgelieferten Kunststoffabzug mit 2 Schrauben (3,5 x 9,5) am Gehäuse des Geräts an. (Abb. 8) Reiben Sie nicht fest über seine Oberflächen. Abb. 8

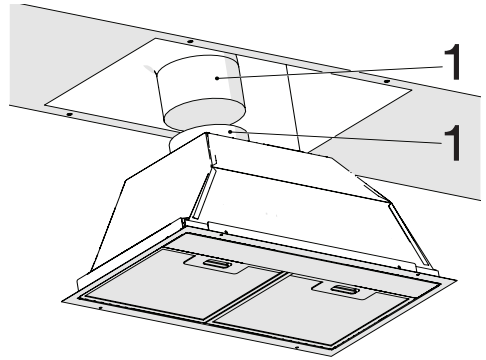


Abb. 9

1. Abluftrohr
 2. Abluftkanal der Abzugshaube
- Bringen Sie das Abluftrohr am Abluftkanal an und befestigen Sie es mit der Klemme (Abb. 9)

Achtung



Da Knicke und Biegungen im Aluminiumrohr die Luftsaugleistung verringern, sollten sie nach Möglichkeit vermieden werden.

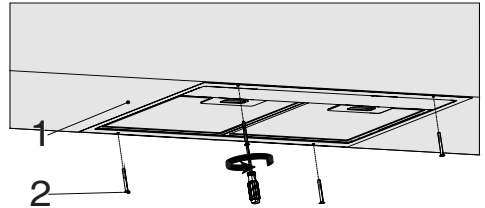


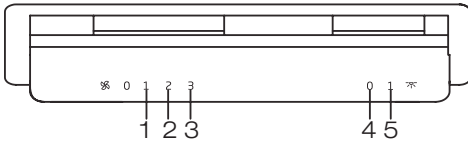
Abb. 10

1. Unteransicht Küchenschrank
 2. Schrauben zur Installation der Abzugshaube (4 x 40)
- Platzieren Sie die Abzugshaube im Küchenschrank und bringen Sie sie in den 4 vorgebohrten Installationslöchern (Abb. 10).

3 Installation und Verwendung des Geräts

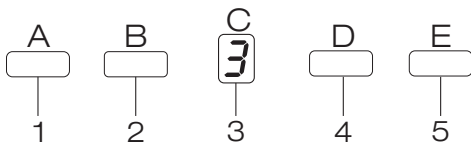
3.4 Verwendung des Geräts

3.4.1 Nutzung des Kippschalters



- Bringen Sie den Lampenschalter zum Abschalten der Lampe in die Position „0“.
- Bringen Sie den Lampenschalter zum Einschalten der Lampe in die Position „1“.
- Bringen Sie den Motorschalter zum Abschalten des Motors in die Position „0“.
- Sie können den Motor je nach Dichte der Küchendämpfe bei minimaler bis maximaler Geschwindigkeitsstufe (3 Stufen) arbeiten lassen.

3.4.2 Verwendung des digitalen Schalters



- A- 1. Stufentaste
- B- 2. Stufentaste
- C- Digitalanzeige
- D- 3. Stufentaste
- E- Ein-/Austaste der Lampe

(A) Taste: Die Abzugshaube arbeitet bei Betätigung dieser Taste mit der 1. Geschwindigkeitsstufe. (Anzeige am Bildschirm) Bildschirm und Abzugshaube schalten sich ab, wenn Sie diese Taste zum Abschalten des Gerätes erneut drücken.

(B) Taste: Die Abzugshaube arbeitet bei Betätigung dieser Taste auf Geschwindigkeitsstufe 2. (Anzeige am Bildschirm) Bildschirm und Abzugshaube schalten sich ab, wenn Sie diese Taste zum Abschalten des Gerätes erneut drücken.

(E) Taste: Die Abzugshaube arbeitet bei Betätigung dieser Taste auf Geschwindigkeitsstufe 3. (Anzeige am Bildschirm) Bildschirm und Abzugshaube schalten sich ab, wenn Sie diese Taste zum Abschalten des Gerätes erneut drücken.

(C) Digitalanzeige: Zeigt die ausgewählte Geschwindigkeit sowie bestimmte Warnsymbole.

(D) Ein-/Austaste der Lampe: Mit dieser Taste schalten Sie die Beleuchtung des Garbereichs ein und aus.

Reinigungszeiten der Metallfilter: Die Filter sollten gereinigt werden, sobald das „C“-Symbol am Display angezeigt wird, was alle 60 Stunden bzw. alle vier Wochen (je nach Nutzung) der Fall ist. Halten Sie die Taste A zum Löschen des „C“-Symbols nach Reinigung und Installation der Filter länger als 3 Sekunden gedrückt (bei abgeschaltetem Gerät). Der Buchstabe E erscheint am Display und das Gerät wechselt zum Normalbetrieb. Wenn Sie das Gerät in Betrieb nehmen möchten, ohne das „C“-Symbol zu löschen, wird die aktive Geschwindigkeit 1 Sekunde lang angezeigt, wenn Sie eine der Stufentasten drücken. Der Motor arbeitet auf der ausgewählten Stufe weiter, nachdem das „C“-Symbol erneut eingblendet wurde.

Automatischer Stopp nach 15 Minuten: Das Gerät hat eine automatische Stoppfunktion, um nach Abschluss des Garens weiterhin Gerüche zu beseitigen, Dampf abzuleiten und das Gerät nach einer gewissen Zeit Belüftung der Umgebung automatisch abzuschalten.

3 Installation und Verwendung des Geräts

Aktivieren Sie die automatische Stoppverzögerung, indem Sie die Taste (A, B oder D) der aktuellen Geschwindigkeitsstufe 3 Sekunden lang drücken. 15 Minuten nach Beendigung des Betriebs stoppen alle Funktionen Ihres Gerätes.

Die automatische Stoppfunktion wird deaktiviert und der Motor des Gerätes stoppt, wenn Sie die Taste der Geschwindigkeitsstufe erneut drücken, während die automatische Stoppverzögerung aktiv ist. Diese Funktion wird deaktiviert, wenn Sie eine andere Geschwindigkeitsstufe aktivieren. Sie müssen dann die automatische Stoppverzögerung bei Bedarf erneut aktivieren.

3.5 Auswechseln der Leuchtmittel

3.5.1 Kerzenlampe ersetzen

Warnung



Unterbrechen Sie vorher die Stromversorgung der Abzugshaube. Heiße Lampen können Verbrennungen verursachen. Lassen Sie sie daher erst abkühlen, bevor Sie sie berühren.

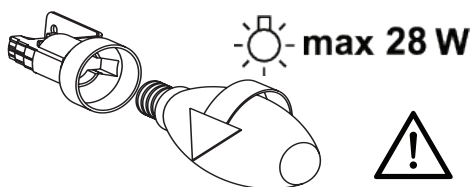


Abb. 11: Kerzenlampe ersetzen

- Entfernen Sie den Aluminium-Kerzenfilter. Entfernen Sie die defekte Lampe und setzen Sie eine Lampe mit den gleichen Werten ein. Abb. 11

3.5.2 Halogenlampe ersetzen

 max 50 W



IEC

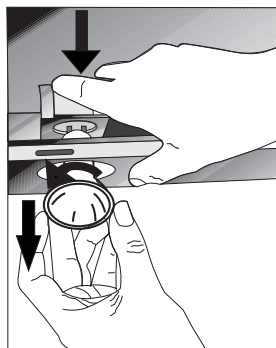


Abb. 12: Halogenlampe ersetzen

- Entfernen sie die Halogenlampen, indem Sie die Rückseite des Lampenhalters nach unten drücken und die Lampe nach unten herausnehmen, indem Sie sie ein wenig gegen den Uhrzeigersinn drehen. Abb. 12

Warnung



Verwenden Sie nur eigensichere Wolfram-Halogenlampen oder eigensichere Halogen-Metaldampflampen.

Hinweis:



Deaktivieren Sie die Sicherung oder ziehen Sie den Netzstecker und wenden Sie sich an den Kundendienst, falls das Gerät beschädigt wird oder nicht richtig funktioniert.

Hinweis:



Falls das Netzkabel beschädigt ist, muss es zur Vermeidung von Gefahren vom Hersteller, seinem Kundencenter oder vergleichbar qualifizierten Personen ersetzt werden

3 Installation und Verwendung des Geräts



Hinweis:

Deaktivieren Sie die Sicherung oder ziehen Sie den Netzstecker, falls Lampen des Gerätes ausfallen. Ersetzen Sie defekte Lampen immer sofort, damit andere Lampen nicht überlastet werden (warten Sie jedoch zunächst, bis sie sich abgekühlt haben).



Achtung

Zugängliche Teile können bei Verwendung mit Kochgeräten heiß werden.



Wurde eine Reparatur unsachgemäß oder vorschriftswidrig ausgeführt, schalten Sie die Gerätesicherung ab oder ziehen Sie den Gerätestecker heraus. Reparaturarbeiten dürfen nur von autorisiertem Servicepersonal durchgeführt werden.

Wurde eine Reparatur unsachgemäß oder vorschriftswidrig ausgeführt, schalten Sie die Gerätesicherung ab oder ziehen Sie den Gerätestecker heraus. Reparaturarbeiten dürfen nur von autorisiertem Servicepersonal durchgeführt werden.

4 Reinigen und pflegen

Gefahr! **Verbrennungsgefahr,** **Stromschlaggefahr!**

Warten Sie, bis sich das Gerät abgekühlt hat, bevor Sie Reinigungs- oder Wartungsarbeiten durchführen. Deaktivieren Sie vorher die Sicherung oder ziehen Sie den Netzstecker.

Wenn Feuchtigkeit in Elektronik eindringt, können Schäden auftreten. Reinigen Sie die Bedienelemente niemals mit einem nassen Tuch.

Die Oberflächen können aufgrund unsachgemäßer Reinigung beschädigt werden. Reinigen Sie Edelstahlfächen nur in Bürstrichtung. Verwenden Sie für die Bedienelemente keine Edelstahlreiniger.

Die Oberfläche könnte aufgrund scheuernder oder reibender Reinigungsmittel beschädigt werden. Verwenden Sie niemals scheuernde oder reibende Reinigungsmittel.



Achtung

Gefahr von Schäden aufgrund von Korrosion. Nehmen Sie das Gerät beim Nutzen des Herds immer in Betrieb, damit sich kein Kondensat ansammelt. Kondensat kann Korrosionsschaden verursachen. Ersetzen Sie defekte Lampen immer sofort, damit andere Lampen nicht überlastet werden. Wenn Feuchtigkeit in Elektronik eindringt, können Schäden auftreten. Reinigen Sie die Bedienelemente niemals mit einem nassen Tuch. Die Oberflächen können aufgrund unsachgemäßer Reinigung beschädigt werden. Reinigen Sie Edelstahlfächen nur in Bürstrichtung. Verwenden Sie für die Bedienelemente keine Edelstahlreiniger. Die Oberfläche könnte aufgrund scheuernder oder reibender Reinigungsmittel beschädigt werden. Verwenden Sie niemals scheuernde oder reibende Reinigungsmittel. Wenn Kondensat zurückfließt, können Schäden auftreten. Installieren Sie den Luftaustrittskanal mit einem ab dem Gerät um 1° geeigneten Gefälle.



Achtung

Sie können das Gerät im Abluft- oder Zirkulationsmodus betreiben.



4 Reinigen und pflegen

Abluftmodus

Die angesaugte Luft wird durch Ölfiter gereinigt und durch ein Abluftrohrsystem ausgestoßen. (Abb. 3) Falls Sie die Abluft in einen außer Betrieb genommenen Kamin oder Abluftkanal leiten möchten, müssen Sie eine Genehmigung von einem zugelassenen Schornsteinfeger einholen. Falls die Abluft über die Außenwand ausgestoßen wird, sollte ein Teleskopwandrahmen verwendet werden.



1. Setzen Sie den Aktivkohlefilter in sein Gehäuse ein. Abb. 15/1

2. Drehen Sie den Kohlefilter zur Sicherung seines Sitzes im Uhrzeigersinn. Abb. 15/2



Res.13



Res.14



Res.15



Die abgesaugte Luft wird durch Ölfiter und einen Aktivkohlefilter gereinigt und wieder in die Küche ausgestoßen. Abb. 4



Falls der Kohlefilter nicht richtig angebracht ist, könnte er herunterfallen und Ihr Gerät beschädigen.



Achtung

Versuchen Sie niemals, Kohlefilter zu reinigen. Halten Sie Kohlefilter immer von Kindern fern.



Hinweis!

Die Abluft sollte weder in einen Kamin oder Abluftkanal noch zu einem zur Belüftung von Orten mit installierten Heizquellen verwendeten Abzug geleitet werden.



Achtung

Reinigung und Wartung dürfen nicht von Kindern durchgeführt werden, sofern sie nicht beaufsichtigt werden.



Installieren Sie einen Aktivkohlefilter, damit die Luft im Zirkulationsmodus von Gerüchen befreit wird. Erkundigen Sie sich bei Ihrem autorisierten Händler nach den verschiedenen Möglichkeiten, das Gerät im Zirkulationsmodus zu betreiben. Sie können das für dieses Verfahren benötigte Zubehör bei qualifizierten Verkaufsstellen, autorisierten Servicevertretern oder im Online-Handel erwerben.

- Die Oberfläche könnte aufgrund scheuernder oder reibender Reinigungsmittel beschädigt werden. Verwenden Sie niemals scheuernde oder reibende Reinigungsmittel. Erwerben Sie für Ihr Gerät geeignete Reinigungsmittel und Schutzmaterialien beim autorisierten Kundendienst. Die Oberfläche von Gerät und Bedienelementen ist anfällig für Kratzer.
- Reinigen Sie Oberflächen mit einem weichen, feuchten Tuch mit etwas und Spülmittel oder einem milden Glasreiniger. Weichen Sie getrockneten, anhaftenden Schmutz mit einem feuchten Tuch auf. Kratzen Sie ihn nicht ab!
- Trockene Tücher oder Schwämme, die Kratzer verursachen können, reibende oder scheuernde Reinigungsmaterialien sowie Reinigungsmittel mit Säure oder Chlorid sind nicht geeignet.
- Reinigen Sie Edelstahlfächen nur in Bürstichtung.

Das von Ihnen erworbene Gerät eignet sich für den Einsatz mit einem Aktivkohlefilter. Aktivkohlefilter einsetzen:

4 Reinigen und pflegen

- Verzichten Sie an den Bedienelementen auf Edelstahlreiniger und feuchte Tücher. Metallölfilter reinigen – Die metallischen Ölfilter absorbieren die in der Küche erzeugte Feuchtigkeit und die Fettpartikel im Dampf. Reinigen Sie die metallischen Ölfilter bei regelmäßiger Benutzung (1 bis 2 Stunden pro Tag) einmal alle 3 Monate.
- Verwenden Sie keine übermäßig starken, säurehaltigen oder korrosiven Reinigungsmittel.
- Reinigen Sie die Befestigungsteile der metallischen Ölfilter im Gerät mit einem feuchten Tuch.
- Sie können die metallischen Ölfilter im Geschirrspüler oder von Hand spülen.
- Tragen Sie Sprühreiniger nicht direkt auf das Gerät auf.
- Stellen Sie keine entflammaren und/oder schweren Gegenstände auf dem Gerät ab.

4.1 Reinigung im Geschirrspüler

- Beim Reinigen im Geschirrspüler kann es zu einer geringfügigen Verfärbung des Filters kommen. Dies wirkt sich nicht auf die Funktion der metallischen Ölfilter aus.
- Spülen Sie stark verschmutzte Ölfilter nicht gemeinsam mit Geschirr.
- Positionieren Sie metallische Ölfilter lose im Geschirrspüler. Metallische Ölfilter sollten so im Geschirrspüler platziert sein, dass sie nichts blockieren.

4.2 Von Hand spülen

- Verwenden Sie bei hartnäckigem Schmutz ein spezielles Mittel zum Auflösen von Öl. Sie erhalten ein solches Mittel bei autorisierten Verkaufsstellen.
- Lassen Sie metallische Ölfilter in mit etwas Spülmittel versetztem heißem Wasser einweichen.
- Verwenden Sie zur Reinigung eine Bürste und lassen Sie die Reinigungsflüssigkeit lang genug einwirken. Spülen Sie die Filter nach der Reinigung gründlich ab.
- Technische Daten sowie diese Anleitung können ohne Vorankündigung geändert werden.
- Dieses Gerät erfüllt die Richtlinie zur Überwa-

- chung elektrischer und elektronischer Altgeräte.
- Diese Abzugshaube ist zur Montage über einem Kochfeld ausgelegt. Achten Sie darauf, dass die Wand das Gewicht der Abzugshaube tragen kann. Kosten für Arbeiten, die während der Installation an der Wand oder am Schrank ausgeführt werden müssen, werden dem Kunden berechnet. Die Abzugshaube kann mit einem Abluftsystem verwendet werden, das die Luft ableitet. Sie funktioniert aber auch ohne Abzug (durch Anbringung eines Kohlefilters). Beachten Sie erforderliche Maßnahmen vor oder während der Installation. Die Installation sollte vom autorisierten Kundendienst durchgeführt werden. Die Installation sollte von einem autorisierten Experten mit Kenntnissen zum Thema Belüftung durchgeführt werden. Die vom Industrieministerium ausgewiesene Servicelebensdauer des Gerätes (Dauer der Verfügbarkeit von für die Funktionsfähigkeit des Gerätes erforderlichen Ersatzteilen) beträgt 10 (zehn) Jahre.
- Packen Sie Ihr Gerät beim Transportieren zum Schutz seiner Komponenten in seine Originalverpackung ein.
- Halten Sie das Gerät während des Transports in seiner normalen Position.
- Lassen Sie das Gerät nicht fallen. Schützen Sie es während des Transports vor Schäden. Die Garantie deckt keine Mängel oder Schäden ab, die während eines weiteren Transports nach Auslieferung des Gerätes an den Kunden auftreten.

Avant toute chose, veuillez lire ce manuel d'utilisation !

Chère cliente, cher client,

Merci d'avoir choisi cet appareil Beko. Nous espérons que cet appareil, fabriqué dans des installations modernes et soumis à un processus de contrôle qualité rigoureux, vous offre les meilleures performances possible. C'est pourquoi nous vous recommandons, avant d'utiliser l'appareil, de lire attentivement et complètement ce manuel d'utilisation ainsi que tous les autres documents fournis et de les conserver soigneusement pour utilisation future. Si vous cédez l'appareil à quelqu'un d'autre, remettez-lui également le manuel d'utilisation. Suivez les instructions en accordant une attention particulière à toutes les informations et les avertissements contenus dans le manuel d'utilisation.

Notez que ce manuel d'utilisation peut également s'appliquer à d'autres modèles. Les différences entre les modèles sont clairement décrites dans le manuel.

Signification des symboles

Les pictogrammes suivants sont repris tout au long de ce manuel :



Informations importantes et conseils utiles concernant l'utilisation de l'appareil.



AVERTISSEMENT : Avertissement sur les situations dangereuses concernant la sécurité des biens et des personnes.



Avertissement contre le risque d'incendie.



Avertissement contre le risque d'électrocution.



Cet appareil a été fabriqué dans des usines modernes respectueuses de l'environnement et sans causer des dommages à la nature.

1 Instructions importantes en matière de sécurité et d'environnement

1.1 Consignes générales de sécurité

- Cet appareil peut être utilisé par des enfants de 8 ans ou plus, par des personnes à capacités physiques, sensorielles ou mentales suffisantes ou par des personnes avec des capacités ou une expérience suffisantes s'ils sont sous supervision ou sont informés sur l'utilisation de l'appareil en toute sécurité et des risques induits.
- Les enfants ne doivent pas manipuler l'appareil. Les procédures de nettoyage et d'entretien par l'utilisateur ne doivent pas être exécutées par les enfants à moins qu'ils soient surveillés par des adultes.
- Le présent appareil a été conçu à des fins domestiques.
- La tension opérationnelle de votre produit est de 220-240 Volts~50 - 60 Hz.
- Une fiche reliée à la terre est branchée au câble d'alimentation de votre appareil. Ce câble doit être inséré dans une prise reliée à la terre.
- L'installation électrique doit être effectuée par un électricien qualifié.
- L'installation effectuée par des personnes non autorisées peut provoquer de faibles performances de fonctionnement, des dommages à l'appareil et des accidents.
- Il faut éviter que le câble d'alimentation ne se coince quelque part ou ne soit écrasé pendant l'installation. Le câble d'alimentation ne doit pas être placé près de la table de cuisson. Sinon, le câble pourrait fondre et provoquer un incendie.
- Ne branchez pas l'appareil avant qu'il ne soit installé.
- Veillez à ce que la fiche se trouve dans un endroit facilement accessible pour couper l'alimentation électrique en cas de danger.
- Ne touchez pas les lampes si elles ont été utilisées pendant une longue période. Elles sont chaudes et risqueraient donc de provoquer des brûlures aux mains.
- Les hottes aspirantes de cuisine sont conçues pour la cuisson normale et l'usage domestique. En cas d'utilisation à d'autres fins, le produit risquerait de tomber en panne et la garantie sera annulée.
- Respecter la réglementation des autorités compétentes en matière

1 Instructions importantes en matière de sécurité et d'environnement

d'évacuation de l'air évacué (cette mise en garde ne s'applique pas à l'utilisation sans conduit).

- Les aliments inflammables ne doivent pas être cuits sous l'appareil.
- Faites fonctionner votre appareil après avoir posé une casserole, une poêle, etc. sur la plaque de cuisson. Autrement, la température élevée peut provoquer la déformation de certaines pièces de votre produit.
- Éteignez la plaque de cuisson avant d'en retirer la casserole, la poêle, etc.
- Ne laissez pas d'huile chaude sur la plaque de cuisson. Les casseroles contenant de l'huile chaude peuvent provoquer une auto-combustion.
- Faites attention à vos rideaux et à vos couvertures, car l'huile peut prendre feu pendant la cuisson de certains aliments, comme les frites.
- Assurez-vous que les filtres sont changés quand il le faut. Il existe un risque d'incendie dû à l'accumulation d'huile sur les filtres qui n'ont pas été changés quand il le fallait.
- N'utilisez pas de matériaux filtrants ignifuges à la place des filtres.
- N'utilisez jamais l'appareil sans le filtre, ne retirez pas les filtres lorsque l'appareil est en marche.
- En cas d'incendie, coupez l'alimentation de la hotte et des appareils de cuisson. (Débranchez l'appareil ou éteignez l'interrupteur principal).
- Il existe un risque d'incendie si le nettoyage périodique n'est pas effectué correctement.
- Coupez l'alimentation de votre appareil avant les travaux d'entretien. (Débranchez l'appareil ou éteignez l'interrupteur principal).
- La pression négative dans l'environnement ne doit pas dépasser 4 Pa (4 x 10 bars) lorsque la hotte de la table de cuisson électrique et les appareils fonctionnant avec un autre type d'énergie que l'électricité fonctionnent simultanément.
- Dans l'environnement dans lequel l'appareil est utilisé, les gaz résiduels des appareils fonctionnant au fioul ou au gaz, tels que le chauffage de la pièce, doivent être totalement isolés ou l'appareil doit être de type étanche.
- Pour le raccordement du conduit,

1 Instructions importantes en matière de sécurité et d'environnement

utilisez des tuyaux d'un diamètre de 120 ou 150 mm. Le raccordement du tuyau doit être aussi court que possible et avoir le minimum de coudes que possible.

- Les enfants ne doivent pas manipuler l'appareil.
- Pour votre sécurité, utilisez un fusible de « MAX 6 A » dans la hotte.
- Conservez les matériaux d'emballage hors de portée des enfants, car ils peuvent représenter un danger pour eux.
- Si le cordon d'alimentation est endommagé, il doit être remplacé par le fabricant, son réparateur agréé ou une personne compétente afin d'éviter tout risque.
- En cas d'incendie, coupez l'alimentation de la hotte et de la table de cuisson et étouffez la flamme. N'utilisez jamais d'eau pour éteindre le feu.
- Lorsque les appareils de cuisson sont en marche, certaines parties accessibles peuvent être chaudes.
- Ce produit n'a pas été prévu pour être utilisé par des personnes (notamment les enfants) dont les capacités physiques, sensorielles ou mentales sont réduites, ou n'ayant pas suffisamment d'expérience ou de connaissances, à moins qu'une personne chargée de leur sécurité ne les surveille ou ne leur apprenne à utiliser le produit.
- Lorsque l'installation de la hotte pour les plaques de cuisson électriques est terminée, il doit y avoir une distance minimale de 65 cm entre l'appareil et les plaques de cuisson électriques.
- Ne connectez pas la prise de la hotte aux canaux d'air qui contiennent d'autres fumées.
- Des précautions doivent être prises lorsque l'appareil est utilisé dans le même environnement que des dispositifs qui utilisent de l'air et du carburant (par exemple, des radiateurs, des chauffe-eau ouverts fonctionnant au gaz, au diesel, au charbon, au bois ; ou des chauffe-eau). Cela peut nuire à la combustion puisque la hotte évacue l'air dans l'environnement.
- Cet avertissement ne couvre pas l'utilisation sans conduit.
- La ventilation de la pièce peut être insuffisante lorsque la hotte de la table de cuisson électrique est utilisée en même temps que les appareils fonctionnant au gaz ou avec d'autres combustibles (ceci

1 Instructions importantes en matière de sécurité et d'environnement

peut ne pas s'appliquer aux appareils qui rejettent uniquement l'air dans la pièce).

rebut selon la réglementation locale en vigueur afin de les inclure dans le processus de recyclage aux fins de protection de l'environnement.

1.1 Conformité avec la directive DEEE et mise au rebut des produits usagés



Cet appareil ne contient pas de substances dangereuses ou prohibées, telles que décrites dans la « Réglementation relative à la surveillance des déchets d'équipements électriques et électroniques » émanant du ministère de l'Environnement et de l'Urbanisation. Cet appareil est conforme à la directive DEEE. Le présent appareil a été fabriqué avec des pièces et du matériel de qualité supérieure qui peuvent être réutilisés ou recyclés. Ne le mettez donc pas au rebut avec les déchets domestiques à la fin de sa durée de vie. Nous vous conseillons de l'apporter à un point de collecte pour le recyclage du matériel électrique et électronique. Contactez les autorités locales pour connaître les points de collecte dans votre région. Contribuez à la protection de l'environnement et des ressources naturelles en recyclant les produits usagés.

1.2 Emballage de l'appareil



L'emballage de votre produit est fait à partir de matériaux recyclables. Assurez-vous que les matériaux d'emballage sont mis au

1.3 Risque vital

Risque d'empoisonnement



Fig. 1 : Risque d'empoisonnement



Fig. 2 : Risque d'empoisonnement



DANGER! **Avertissement - Risque d'étouffement**

Les matériaux d'emballage sont dangereux pour les enfants. Ne laissez pas les enfants manipuler les matériaux d'emballage.

1 Instructions importantes en matière de sécurité et d'environnement



DANGER ! Avertissements - Risque de mort !

Risques vitaux et risques d'empoisonnement dus aux gaz de combustion réabsorbés. Pour une utilisation avec une sortie d'air, n'utilisez pas l'appareil en même temps que des objets qui expulsent des gaz toxiques, tels que des cuisinières à circulation d'air, qui fonctionnent au gaz, à l'huile, au bois ou au charbon de bois, des poêles de bain, des chauffe-eau, etc. à moins que l'air fourni soit suffisant. Pic. 3

Les objets à circulation d'air (p. ex. cuisinières fonctionnant au gaz, au fioul, au bois ou au charbon de bois, poêles de salle de bain, chauffe-eau) récupèrent l'air du lieu d'installation et évacuent les gaz résiduels à l'aide d'un système d'évacuation (p. ex. conduit). L'air de la cuisine et des pièces voisines est absorbé par l'appareil pendant son fonctionnement. L'aspiration se produit si la quantité d'air fournie n'est pas suffisante. Dans ce cas, les gaz toxiques contenus dans le conduit de cheminée et dans le conduit d'évacuation des gaz résiduels sont réabsorbés et réintroduits dans la maison. Pic. 1

C'est pourquoi il faut veiller à ce qu'une quantité suffisante d'air pur soit fournie en permanence. Pic. 2



AVERTISSEMENT ! Danger d'incendie !

Les boues huileuses sur le filtre à huile peuvent prendre feu. Nettoyez le filtre à huile au moins une fois tous les trois mois. Ne faites jamais fonctionner l'appareil sans le filtre à huile.

Les boues huileuses sur le filtre à huile peuvent prendre feu. Assurez-vous qu'il n'y a jamais de flamme à proximité de l'appareil lorsque vous cuisinez (ex. flambé). Il n'est permis d'installer l'appareil à proximité d'un appareil de chauffage chauffé par un combustible solide (par ex. bois ou charbon) que s'il est équipé d'un couvercle fermé et non amovible. Il ne doit y avoir aucune source d'étincelles à proximité de l'appareil.

Les huiles végétales chaudes et les graisses s'enflamment facilement. Faites toujours très attention aux huiles et graisses végétales chaudes. N'essayez pas d'éteindre le feu avec de l'eau.

Éteignez la table de cuisson. Couvrez soigneusement la flamme avec un couvercle, une couverture anti-feu ou un objet similaire.

1 Instructions importantes en matière de sécurité et d'environnement



Les tables de cuisson à gaz en fonctionnement sans ustensiles de cuisson génèrent une chaleur élevée. Un appareil de ventilation placé sur la table de cuisson peut donc être endommagé ou brûlé. Ne faites fonctionner les tables de cuisson à gaz que lorsqu'un ustensile de cuisson est placé sur le feu. L'utilisation simultanée de plus d'une plaque de cuisson au gaz provoque une chaleur élevée. Un appareil de ventilation placé sur la table de cuisson peut donc être endommagé ou brûlé. Ne faites pas fonctionner simultanément deux tables de cuisson à gaz à un niveau de flamme élevé pendant plus de 15 minutes. Un brûleur d'une puissance supérieure à 5 kW (Wok) est égal au brûleur à deux niveaux de gaz.



AVERTISSEMENT !

Risque d'électrocution !

Un appareil défectueux peut provoquer une électrocution. Ne faites jamais fonctionner un appareil défectueux. Débranchez-le ou éteignez le fusible dans la boîte à fusibles. Appelez le centre de service à la clientèle.

Les réparations qui ne sont pas conformes aux instructions constituent un danger. Les réparations et le remplacement des câbles électriques défectueux ne doivent être effectués que par un technicien du service après-vente formé par notre société. Si l'appareil est endommagé, débranchez-le ou éteignez le fusible dans la boîte à fusibles. Appelez le centre de service à la clientèle.

Si de l'eau s'écoule dans l'appareil, cela peut provoquer une électrocution. Les nettoyeurs à haute pression ou à vapeur ne doivent pas être utilisés avec cet appareil.

1 Instructions importantes en matière de sécurité et d'environnement

DANGER ! **Risque de blessure!**

Les bords tranchants de l'appareil peuvent causer des blessures pendant l'installation. Utilisez toujours des gants de protection lors de l'installation de l'appareil.

Tous les boulons de sécurité et les couvercles de sécurité doivent être installés comme indiqué dans le manuel d'utilisation en raison du risque de chute de l'appareil.

Les objets posés sur l'appareil peuvent tomber. Ne posez aucun objet sur l'appareil.

Le voyant LED est très lumineux et peut endommager vos yeux (groupe de danger 1). Ne regardez pas directement la lumière LED pendant plus de 100 secondes.



En cas de réparation non conforme ou non conforme aux règles, éteignez le fusible ou débranchez l'appareil. Les travaux de réparation ne doivent être effectués que par le service après-vente agréé ou un personnel compétent autorisé.



En cas de réparation non conforme ou non conforme aux règles, éteignez le fusible ou débranchez l'appareil. Les travaux de réparation ne doivent être effectués que par le service après-vente agréé ou un personnel qualifié autorisé.

MISE EN GARDE

Les pièces accessibles peuvent devenir chaudes si elles sont utilisées avec l'équipement de cuisson.



1 Instructions importantes en matière de sécurité et d'environnement

DANGER ! Risque de brûlure et d'électrocution !

Attendez que l'appareil refroidisse avant de procéder au nettoyage ou à l'entretien. Éteignez le fusible ou débranchez l'appareil.

Risque de dommages dû à la pénétration d'humidité dans les éléments électroniques. Ne nettoyez jamais les éléments de contrôle avec un chiffon humide.

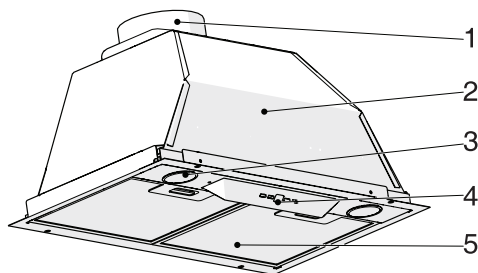
La surface peut être endommagée en raison d'un nettoyage incorrect. Nettoyez les surfaces en acier inoxydable uniquement dans le sens du brossage. N'utilisez pas de nettoyeurs en acier inoxydable sur les éléments de contrôle.

La surface peut être endommagée par des produits de nettoyage abrasifs ou corrosifs. N'utilisez jamais de produits de nettoyage abrasifs ou corrosifs.



2 Aspect général

2.1 Aperçu



1. Conduit d'évacuation d'air
2. Corps
3. Éclairage de la table de cuisson
4. Panneau de commande
5. Filtre à huile en aluminium

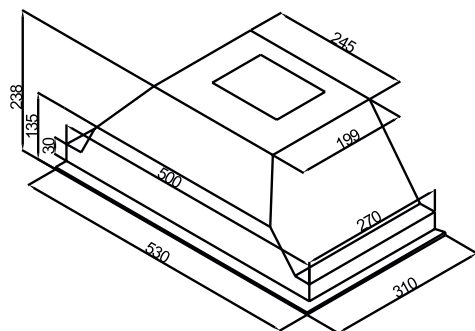
2.2 Caractéristiques techniques

CE Cet appareil est conforme aux directives européennes CE 2014/30/UE (Directive relative à la compatibilité électromagnétique) et 2014/35/UE (Directive Basse Tension).

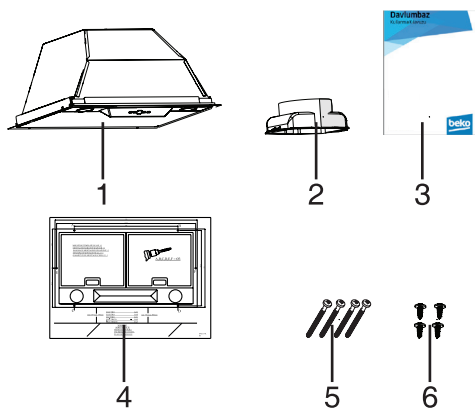
Tension d'alimentation	220-240 V 50 Hz
Puissance de la lampe (W)	2x3 W
Puissance du moteur (W)	1x125 W
Classe d'isolation du moteur	F
Classe d'isolation	CLASSE I

Droits de modifications techniques ou de conception réservés. Les dimensions présentées dans les dessins techniques sont en mm. Cette image n'est fournie qu'à titre d'information sur les pièces de l'appareil. Les pièces peuvent varier selon le modèle de l'appareil. Les photos sont fournies de façon représentative.

2.3 Dessin technique à l'échelle



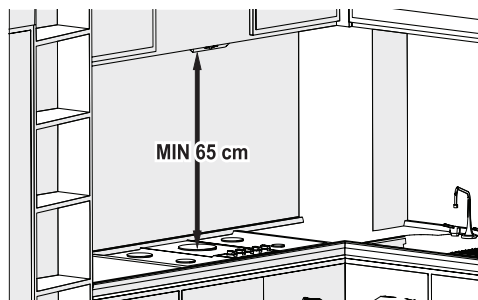
2.4 Contenu de l'emballage



1. Hotte
2. Conduit de cheminée en plastique de 120 mm de diamètre
3. Manuel d'utilisation
4. Modèle d'installation
5. Vis 4x 4x40 (utilisées pour l'installation de la hotte)
6. Vis 3,5 x9,5 (utilisées pour l'installation du conduit de cheminée en plastique)

3 Installation et utilisation de l'appareil

3.1 Position de l'appareil



- Faites attention à la distance entre la table de cuisson et la hotte avant l'installation. Cette distance doit être de 65 cm.
- La mesure doit être prise à partir de la surface du gril sur les plaques de cuisson à gaz et à partir de la surface en verre sur les plaques de cuisson électriques.



Votre nouvel appareil est particulièrement économe en énergie. Vous trouverez ici quelques conseils pour économiser plus d'énergie lors de l'utilisation de l'appareil et pour mettre l'appareil au rebut de manière appropriée.

3.2 Astuces pour économiser de l'énergie

- Veillez à ce que l'entrée d'air soit suffisante pour que la hotte fonctionne efficacement et avec un faible bruit de fonctionnement pendant la cuisson.
- Réglez le niveau d'aspiration en fonction de la densité de vapeur dans la cuisine. N'utilisez le niveau élevé qu'en cas de besoin. Un niveau d'aspiration plus bas signifie une consommation d'énergie moindre.
- Si vous savez qu'une fumée dense va se propager dans la cuisine, choisissez à l'avance un ni-

veau plus élevé d'aspiration. Il est nécessaire de faire fonctionner la hotte beaucoup plus longtemps pour éliminer la fumée déjà répandue dans toute la cuisine.

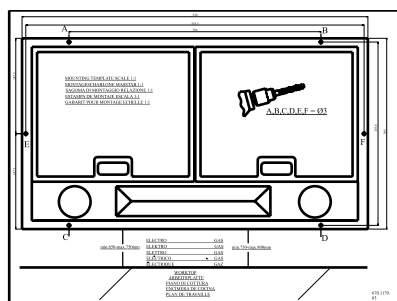
- Éteignez la hotte lorsque vous ne l'utilisez pas.
- Nettoyez ou remplacez le filtre à intervalles réguliers afin d'augmenter l'efficacité de la ventilation et d'éliminer le risque d'incendie.

3.3 Installation de l'appareil

MISE EN GARDE



Utilisez des gants et des lunettes de protection lors des opérations de perçage et de coupe.



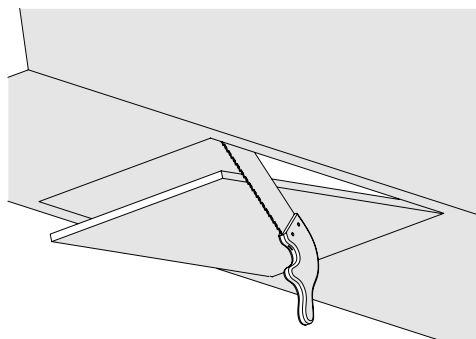
Pic. 6

Perçage des trous de montage

- Conformez-vous au modèle d'installation fourni avec l'appareil sur la surface sur laquelle l'installation sera effectuée.
- Percez les trous A, B, C, D indiqués sur le modèle d'installation à l'aide d'un foret de 4 mm de diamètre. Pic. 6

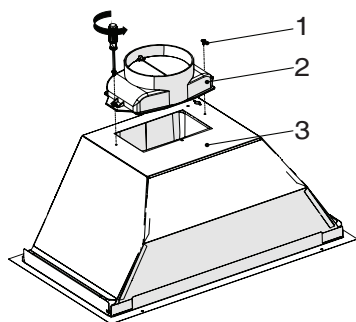
Pic. 7

3 Installation et utilisation de l'appareil

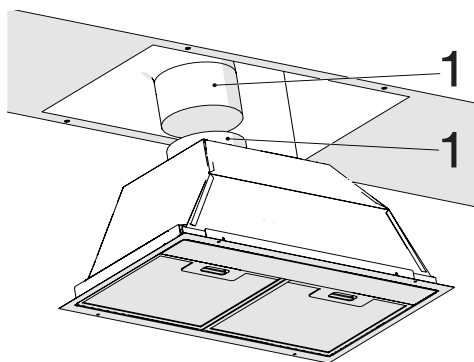


- Découpez la surface inférieure du meuble de cuisine dans lequel la hotte sera installée conformément aux dimensions spécifiées dans le dessin technique (Pic. 7).

Pic. 8



1. Vis 3,5 x 9,5
 2. Conduit de cheminée en plastique de 120 mm de diamètre
 3. Prise de goupille de BodyValve
- Fixez le conduit en plastique contenu dans l'emballage au corps de l'appareil à l'aide de 2 vis 3,5 x 9,5. (Pic. 8) Ne le frottez pas contre la surface. Pic. 8



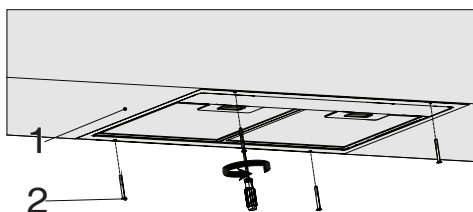
Pic. 9

1. Tuyau d'évacuation d'air
 2. Conduit d'évacuation d'air de la hotte
- Fixez le tuyau d'évacuation d'air au conduit d'évacuation d'air et serrez-le à l'aide d'un collier de serrage (fig. 9).

MISE EN GARDE



Les pliures et les coudes dans le tuyau d'aluminium entraînent une diminution de la puissance d'aspiration de l'air, évitez donc leur présence autant que possible.



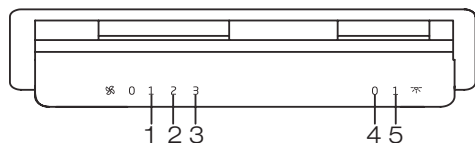
Pic. 10

1. Vue du bas du meuble de cuisine
 2. Vis d'installation de la hotte 4x40
- Placez la hotte dans le meuble de cuisine et fixez la hotte grâce aux 4 trous d'installation percés au préalable (fig. 10).

3 Installation et utilisation de l'appareil

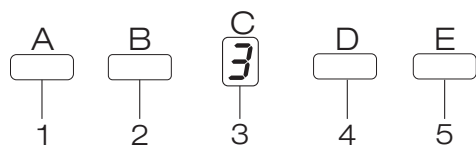
3.4 Utilisation de l'appareil

3.4.1 Utilisation de l'interrupteur à bascule



- Placez l'interrupteur de la lampe en position « 0 » pour éteindre la lampe.
- Placez l'interrupteur de la lampe en position « 1 » pour allumer la lampe.
- Placez l'interrupteur du moteur en position « 0 » pour éteindre le moteur.
- Vous pouvez faire fonctionner le moteur au minimum au 1^{er} niveau de vitesse et au maximum au 3^e niveau de vitesse en fonction de la densité de la vapeur de cuisson.

3.4.2 Utilisation de l'interrupteur numérique



- A- 1. Bouton du niveau
- B- 2. Bouton du niveau
- C- Écran numérique
- D- 3. Bouton du niveau
- E- Bouton Lampe Marche/Arrêt

(A) Bouton : Si vous appuyez sur ce bouton, la hotte fonctionne au 1^{er} niveau de vitesse. (Affiché à l'écran) L'écran et la hotte s'éteignent lorsque vous appuyez de nouveau sur cette touche pour éteindre l'appareil.

(B) Bouton : Si vous appuyez sur ce bouton, la hotte fonctionne au 2^e niveau de vitesse. (Affiché à l'écran) L'écran et la hotte s'éteignent lorsque vous appuyez de nouveau sur cette touche pour éteindre l'appareil.

(E) Bouton : Si vous appuyez sur ce bouton, la hotte fonctionne au 3^e niveau de vitesse. (Affiché à l'écran) L'écran et la hotte s'éteignent lorsque vous appuyez de nouveau sur cette touche pour éteindre l'appareil.

(C) Écran numérique : Il affiche la vitesse sélectionnée et les symboles d'avertissement.

(D) Bouton Lampe Marche/Arrêt : Vous pouvez éclairer la zone de cuisson en appuyant sur ce bouton.

Périodes de nettoyage des filtres métalliques : Les filtres doivent être nettoyés lorsque le symbole « C » apparaît sur l'écran (toutes les 60 heures) ou toutes les quatre semaines (selon l'utilisation). Maintenez enfoncé le bouton A pendant plus de 3 secondes (lorsque l'appareil est éteint) pour faire disparaître le symbole « C » après avoir nettoyé et installé les filtres. La lettre E s'affiche à l'écran et passe en mode de fonctionnement normal. Si vous voulez faire fonctionner l'appareil sans faire disparaître le signal C, la vitesse active s'affiche pendant 1 seconde lorsque vous appuyez sur l'un des boutons de niveau et le moteur continue à fonctionner au niveau sélectionné après que le signal C soit à nouveau affiché.

Arrêt automatique 15 min : L'appareil est doté d'une fonction d'arrêt automatique pour éliminer les odeurs, pour évacuer la vapeur une fois la cuisson terminée et pour arrêter automatiquement l'appareil tout en ventilant l'environnement pendant un certain temps.

Pour activer la fonction d'arrêt automatique, appuyez pendant 3 secondes sur la touche (A, B, D) correspondant au niveau de vitesse en cours d'utilisation. Après 15 minutes de fonctionnement, toutes les fonctions de votre appareil s'arrêtent.

La fonction d'arrêt automatique sera désactivée et le moteur de l'appareil s'arrêtera si vous appuyez sur le bouton correspondant au niveau de

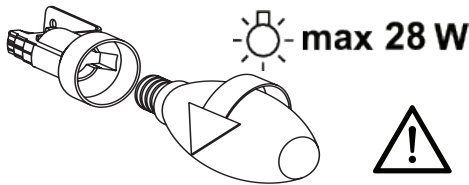
3 Installation et utilisation de l'appareil

vitesse en cours d'utilisation alors que la fonction d'arrêt automatique est active. Cette fonction sera désactivée lorsque vous passerez à un autre niveau de vitesse. Si vous voulez que l'appareil s'arrête automatiquement, vous devez réactiver la fonction d'arrêt automatique de l'appareil.

3.5 Remplacement de la lampe

3.5.1 Remplacement de l'ampoule

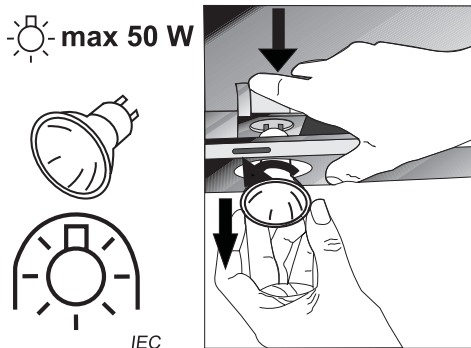
	AVERTISSEMENT
	Coupez l'alimentation électrique de la hotte. Les lampes peuvent provoquer des brûlures aux mains lorsqu'elles sont chaudes, attendez donc qu'elles refroidissent avant de les manipuler.



Pic. 11 : Remplacement d'une ampoule

- Retirez le filtre à cartouche en aluminium. Retirez la lampe défectueuse et remplacez-la par une lampe de même puissance. Pic. 11


3.5.2 Remplacement de la lampe halogène





Pic. 12 : Remplacement de la lampe halogène

- Pour remplacer les lampes halogènes, appuyez à l'arrière de la douille et tirez la lampe vers le bas, puis tournez-la un peu dans le sens inverse des aiguilles d'une montre et tirez-la vers le bas. Pic. 12

	AVERTISSEMENT
	N'utilisez que des lampes tungstène-halogène autoprotectrices ou des lampes aux halogénures métalliques autoprotectrices.


	REMARQUE :
	Si l'appareil tombe en panne ou est endommagé, éteignez le fusible ou débranchez l'appareil et appelez le service après-vente agréé.

	REMARQUE :
	Si le cordon d'alimentation est endommagé, il doit être remplacé par le fabricant, son réparateur agréé ou une personne qualifiée afin d'éviter tout risque.

	REMARQUE :
	Éteignez le fusible ou débranchez l'appareil en cas de panne des lampes de l'appareil. Remplacez immédiatement les lampes défectueuses afin d'éviter que les autres lampes ne soient trop sollicitées (attendez d'abord que les lampes refroidissent).

4 Nettoyage et entretien

MISE EN GARDE




Risque de dommages dû à la corrosion. Toujours faire fonctionner l'appareil pendant la cuisson afin d'éviter la formation de condensat. Le condensat peut causer des dommages liés à la corrosion. Remplacez immédiatement les lampes défectueuses afin d'éviter que les autres lampes ne soient trop sollicitées. Il existe un risque de dommages dû à la pénétration d'humidité dans les éléments électroniques. Ne nettoyez jamais les éléments de contrôle avec un chiffon humide. La surface peut être endommagée en raison d'un nettoyage incorrect. Nettoyez les surfaces en acier inoxydable uniquement dans le sens du brossage. N'utilisez pas de nettoyeurs en acier inoxydable sur les éléments de contrôle. La surface peut être endommagée par des produits de nettoyage abrasifs ou corrosifs. N'utilisez jamais de produits de nettoyage abrasifs ou corrosifs. Il existe un risque de dommages dus au refoulement du condensat. Installez le conduit de sortie d'air avec une pente de 1°, légèrement vers le bas de l'appareil.

MISE EN GARDE



Vous pouvez utiliser cet appareil en mode air vicié et en mode circulation d'air.

Mode air vicié




L'air absorbé est nettoyé par des filtres à huile et expulsé au moyen d'un système de conduits. (Pic. 3) Si vous souhaitez transférer l'air vicié dans un conduit de fumée ou de gaz résiduaire désactivé, vous devez obtenir l'autorisation d'un spécialiste agréé du nettoyage des conduits de cheminée. Si l'air vicié est expulsé par-dessus la paroi extérieure, un cadre mural télescopique doit être utilisé.



L'air absorbé est nettoyé par des filtres à huile et un filtre à charbon actif et retransféré dans la cuisine. Pic. 4

REMARQUE !



L'air évacué ne doit pas être transféré dans un conduit de fumée ou de gaz résiduaire ni dans un conduit utilisé pour la ventilation des endroits où des sources de chauffage sont installées.

4 Nettoyage et entretien



Pour étanchéifier les matériaux qui causent des odeurs dans le mode de circulation d'air, vous devez installer un filtre à charbon actif. Consultez votre revendeur agréé pour connaître les différentes possibilités de fonctionnement de l'appareil en mode circulation d'air. Vous pouvez acheter les accessoires nécessaires à cette procédure auprès des points de vente concernés, des agents de service agréés ou du centre de vente en ligne.

L'appareil que vous avez acheté peut être utilisé avec un filtre à charbon. Pour installer le filtre à charbon ;

1- Placez le filtre à charbon dans son emplacement. Pic. 15/1

2- Tournez le filtre à charbon dans le sens des aiguilles d'une montre pour vous assurer qu'il est bien placé. Pic. 15/2



Res.13



Res.14



Res.15



Si le filtre à charbon n'est pas correctement fixé, il peut tomber et endommager votre produit.



MISE EN GARDE

Ne lavez jamais les filtres à charbon. Conservez les filtres à charbon hors de la portée des enfants.



MISE EN GARDE

Assurez-vous que le nettoyage et l'entretien ne soient pas effectués par des enfants sans surveillance.

- La surface peut être endommagée par des produits de nettoyage abrasifs ou corrosifs. N'utilisez jamais de produits de nettoyage abrasifs ou corrosifs. Procurez-vous les produits de nettoyage et de protection adaptés à votre appareil auprès de votre service après-vente agréé. La surface de l'appareil et les contrôleurs sont sensibles aux rayures.
- Nettoyez les surfaces à l'aide d'un chiffon humide et doux, d'un liquide vaisselle ou d'un produit de nettoyage pour verre doux. Ramollir la saleté séchée et collée à l'aide d'un chiffon humide. Ne grattez pas !
- Les chiffons secs, les éponges qui peuvent causer des rayures, les matériaux qui nécessitent un frottement, le sable et autres agents nettoyants efficaces contenant de l'eau minérale, de l'acide ou du chlorure ne doivent pas être utilisés avec cet appareil.
- Nettoyez les surfaces en acier inoxydable uniquement dans le sens de l'affutage.
- N'utilisez pas d'agents nettoyants pour acier inoxydable et des chiffons humides pour les éléments de commande. Nettoyage des filtres à huile métalliques Les filtres à huile métalliques usagés retiennent l'humidité générée dans la cuisine et les particules huileuses contenues dans la vapeur. Dans le cadre d'une utilisation normale (1 à 2 heures par jour), nettoyez les filtres à huile métalliques environ une fois tous les 3 mois.
- N'utilisez pas de produits de nettoyage trop efficaces, acidifiés ou corrosifs.
- Pour le nettoyage des filtres à huile métalliques, utilisez un chiffon humide pour nettoyer les pièces des filtres à huile métalliques à l'intérieur de l'appareil.
- Vous pouvez nettoyer les filtres à huile métalliques dans le lave-vaisselle ou à la main.
- N'appliquez pas de produits nettoyants en aérosol directement sur l'appareil.
- Ne posez pas d'objets de décoration inflammables et/ou lourds sur l'appareil.

4 Nettoyage et entretien

4.1 Lavage au lave-vaisselle

- En cas de lavage au lave-vaisselle, une légère décoloration peut apparaître. Cela n'affecte pas le fonctionnement du filtre à huile métallique.
- Évitez de laver les filtres à huile métalliques très sales avec les plats.
- Placez les filtres à huile métalliques dans le lave-vaisselle sans les serrer. Placez les filtres à huile métalliques dans le lave-vaisselle sans les comprimer.

4.2 Lavage à la main

- Pour les saletés tenaces, vous pouvez utiliser un produit spécial qui dissout l'huile. Vous pouvez vous procurer cet agent auprès du centre de vente agréé.
- Ramollissez le filtre à huile métallique dans de l'eau chaude contenant du liquide vaisselle.
- Utilisez une brosse pour le nettoyage et attendez que le liquide du filtre à huile métallique soit bien drainé. Rincez correctement les filtres après le nettoyage.
- Les caractéristiques techniques et ce manuel peuvent être modifiés sans préavis.
- Cet appareil est conforme au Règlement sur la surveillance des déchets d'équipements électriques et électroniques.
- Cette hotte est conçue pour être utilisée au-dessus d'une table de cuisson. Assurez-vous que le mur peut supporter le poids de la hotte. Les frais d'abattement, de découpe et autres opérations similaires à effectuer sur le mur ou le meuble pendant l'installation doivent être pris en charge par le client. La hotte peut être utilisée avec un système de conduit de cheminée qui évacue l'air ou sans conduit (en ajoutant un filtre à charbon). Faites attention aux problèmes qui peuvent survenir avant ou pendant l'installation. L'installation doit être effectuée par un technicien agréé. L'installation doit être effectuée par un spécialiste agréé ayant des connaissances en ventilation. La durée de vie de l'appareil déterminée par le Ministère de l'Industrie (période de disponibilité des pièces

de rechange nécessaires à l'exécution des fonctions de l'appareil) est de 10 (dix) ans.

- Votre appareil doit être conservé dans son emballage d'origine afin d'éviter d'endommager ses composants pendant la manutention et le transport.
- Maintenez l'appareil dans sa position normale pendant la manipulation.
- Ne faites pas tomber l'appareil et ne le protégez pas contre les dommages pendant le transport. La garantie ne couvre pas les défauts et dommages survenus pendant le transport après la livraison de l'appareil au client.

Proszę najpierw przeczytać tę instrukcję obsługi!

Szanowny Kliencie,

dziękujemy za wybranie urządzenia marki Beko. Mamy nadzieję, że zakupione urządzenie, wyprodukowane z zapewnieniem wysokiej jakości przy użyciu najnowszych technologii, okaże się w pełni zadowalające. Z tego powodu przed użyciem urządzenia należy uważnie przeczytać całą instrukcję obsługi oraz towarzyszące jej dokumenty i zachować je do wglądu na przyszłość. Przekazując urządzenie innemu użytkownikowi, należy dołączyć również niniejszą instrukcję. Należy postępować zgodnie z instrukcjami, zwracając uwagę na wszystkie informacje i ostrzeżenia zamieszczone w niniejszym dokumencie.

Należy pamiętać, że niniejsza instrukcja może odnosić się także do innych modeli. Różnice pomiędzy modelami są wyraźnie opisane w instrukcji.

Znaczenie symboli

W różnych częściach niniejszej instrukcji obsługi stosowane są następujące symbole:



Ważne informacje i przydatne wskazówki dotyczące użytkowania.



OSTRZEŻENIE: Ostrzeżenia przed niebezpiecznymi sytuacjami zagrażającymi życiu i mieniu.



Niebezpieczeństwo pożaru.



Ostrzeżenie przed porażeniem prądem.



Urządzenie zostało wyprodukowane w przyjaznym środowisku, nowoczesnych zakładach bez negatywnego wpływu na природę.

Wyrób zgodny z Dyrektywą WEEE.



Nie zawiera polichlorowanych bifenyli (PCB).

1 Ważne instrukcje dotyczące bezpieczeństwa i ochrony środowiska

1.1 Ogólne zasady zachowania bezpieczeństwa

- Z wyrobu mogą korzystać dzieci w wieku powyżej 8 lat, a także osoby o odpowiedniej sprawności fizycznej, sensorycznej i umysłowej oraz dysponujące odpowiednimi doświadczeniem i wiedzą w zakresie obsługi urządzenia, pod warunkiem nadzoru lub przekazania im informacji na temat sposobu bezpiecznego użytkowania urządzenia oraz zagrożeń z tym związanych.
- Dzieci nie powinny manipulować przy tym urządzeniu. Dzieci nie powinny czyścić go ani konserwować, o ile nie są pod nadzorem osoby dorosłej.
- Urządzenie to przeznaczone jest do użytku domowego.
- Napięcie zasilania urządzenia wynosi 220–240 V ~50–60 Hz.
- Urządzenie jest wyposażone w przewód zasilający z wtyczką z uziemieniem. Przewód należy podłączać do gniazda z bolcem uziemiającym.
- Podłączenie elektryczne musi wykonać elektryk z odpowiednimi kwalifikacjami.
- Montaż przez osoby nieupoważnione grozi działaniem urządzenia z ograniczoną skutecznością, uszkodzeniem urządzenia i wypadkami.
- Nie wolno dopuszczać do zakleszczenia lub uszkodzenia przewodu zasilającego podczas montażu. Nie wolno umieszczać przewodu zasilającego w pobliżu płyty grzewczej. Grozi to stopieniem przewodu i pożarem.
- Nie podłączać wtyczki przewodu zasilającego do gniazda przed zamontowaniem produktu.
- Wtyczkę należy podłączać do gniazdka zlokalizowanego w miejscu łatwo dostępnym w sytuacji konieczności odłączenia spod napięcia w razie niebezpieczeństwa.
- Nie należy dotykać lamp, jeśli były włączone przez długi czas. Grozi to poparzeniem dłoni gorącą żarówką.
- Okapy kuchenne są przeznaczone do normalnego gotowania, do użytku domowego. Wykorzystywanie okapu do innych celów grozi jego uszkodzeniem i utratą gwarancji na produkt.
- Należy stosować się do wymagań dotyczących odprowadzania

1 Ważne instrukcje dotyczące bezpieczeństwa i ochrony środowiska

powietrza wywiewanego (to ostrzeżenie nie dotyczy sytuacji korzystania z okapu bez przewodu spalinowego).

- Pod okapem nie należy gotować przy użyciu otwartego płomienia.
- Okap należy uruchamiać po ustawieniu garnka, patelni itp. na płycie grzewczej. Niestosowanie się do tego zalecenia grozi zniekształceniami niektórych elementów znajdujących się wewnątrz urządzenia.
- Okap należy wyłączać przed zdjęciem garnka, patelni itp. z płyty grzewczej.
- Nie pozostawiać rozgrzanego oleju na płycie grzewczej. Garnki z gorącym olejem mogą zapalić się samoczynnie.
- Należy uważać na zasłony i inne elementy osłaniające okna, ponieważ olej może zapalić się samoczynnie podczas smażenia, np. frytek.
- Należy wymieniać filtry w odpowiednim czasie. Z upływem czasu na zbyt długo wykorzystywanych filtrach gromadzi się olej, który może się zapalić.
- Zabrania się stosowania materiałów filtracyjnych nieodpornych na ogień zamiast filtrów.
- Nie uruchamiać okapu bez zamontowanego filtra ani nie wyjmować filtrów z pracującego okapu.
- W razie pożaru należy wyłączyć okap oraz urządzenia kuchenne spod napięcia. (Wyjąć wtyczkę urządzenia z gniazda lub wyłączyć za pomocą przełącznika głównego).
- Zaniedbanie obowiązku okresowego czyszczenia okapu grozi pożarem.
- Przed rozpoczęciem konserwacji należy odłączyć urządzenie z zasilania. (Wyjąć wtyczkę urządzenia z gniazda lub wyłączyć za pomocą przełącznika głównego).
- Podciśnienie w otoczeniu nie może przekraczać 4 Pa (4 × 10 barów) przy równoczesnym działaniu okapu nad elektryczną płytą grzewczą i urządzeń AGD zasilanych elektrycznie prądem o innych parametrach.
- Jeśli w pomieszczeniu, w którym działa okap, są wykorzystywane urządzenia zasilane olejem opałowym lub gazem, jak np. ogrzewacze pomieszczeń, to wylot spalin z takich urządzeń musi być całkowicie odizolowany lub takie urządzenia muszą być hermetyczne.

1 Ważne instrukcje dotyczące bezpieczeństwa i ochrony środowiska

- Jako przewody spalinowe należy stosować rury o średnicy 120 lub 150 mm. Rura łącząca musi być możliwie jak najkrótsza i mieć jak najmniej kolanek.
- Dzieci nie powinny manipulować przy tym urządzeniu.
- Z przyczyn bezpieczeństwa w okapie należy montować bezpiecznik „MAX 6 A”.
- Materiały opakowaniowe okapu należy trzymać z dala od dzieci, ponieważ są dla nich potencjalnie niebezpieczne.
- W razie uszkodzenia kabla zasilającego należy go wymienić u producenta, korzystając z usług serwisanta lub osoby o analogicznych kwalifikacjach, aby uniknąć niebezpieczeństwa.
- W razie pożaru należy wyłączyć okap i płytę grzewczą spod napięcia oraz zgasić ogień poprzez odcięcie dopływu tlenu. Nie wolno stosować wody do gaszenia pożaru.
- Części urządzeń do gotowania dostępne dla użytkownika mogą być gorące podczas użytkowania.
- Produkt nie jest przeznaczony do użytku przez osoby (w tym dzieci) o ograniczonej sprawności fizycznej, sensorycznej lub psychicznej bądź niemające doświadczenia i umiejętności, chyba że są nadzorowane lub zostały poinstruowane na temat obsługi tego produktu przez osobę odpowiedzialną za ich bezpieczeństwo.
- Po zainstalowaniu okapu nad elektryczną płytą grzewczą odległość pomiędzy okapem a polami grzejnymi musi wynosić min. 65 cm.
- Wylotu okapu nie wolno przyłączać do kanałów powietrznych, które odprowadzają jakiś inny dym.
- Trzeba zachować ostrożność, gdy okapu używa się wraz z urządzeniami, w których wykorzystuje się powietrze i paliwo (np. grzejniki, podgrzewacze wody, które działają na gaz, olej napędowy, węgiel lub drewno) w jednym pomieszczeniu. Taka sytuacja może wpływać negatywnie na proces spalania, ponieważ powietrze z okapu jest odprowadzane do otoczenia.
- Ostrzeżenie nie dotyczy sytuacji korzystania z okapu bez przewodu spalinowego.
- Wentylacja w pomieszczeniu może być niewystarczająca w przypadku równoczesnego korzystania z okapu nad elektryczną płytą grzewczą oraz urządzeń za-

1 Ważne instrukcje dotyczące bezpieczeństwa i ochrony środowiska

silanych gazem lub innymi paliwami (niniejsze ostrzeżenie może nie dotyczyć urządzeń, które odprowadzają powietrze z powrotem do pomieszczenia).

1.1 Zgodność z dyrektywą WEEE i utylizacja zużytych wyrobów



Wyrób ten nie zawiera materiałów szkodliwych ani zabronionych, które określono w „Rozporządzeniu dot. nadzorowania odpadów urządzeń elektrycznych i elektronicznych” wydanym przez Ministerstwo Środowiska i Urbanizacji. Urządzenie jest zgodne z dyrektywą WEEE. Wyrób ten wykonano z części i materiałów wysokiej jakości, które mogą być poddane recyklingowi i użyte ponownie. Po zakończeniu użytkowania nie wolno zatem wyrzucić go razem z odpadami domowymi ani z innymi odpadami. Należy przekazać je do punktu zbiórki urządzeń elektrycznych i elektronicznych na surowce wtórne. Adresy punktów zbiórki można uzyskać u przedstawicieli władz lokalnych. Odzyskiwanie surowców ze zużytych wyrobów pozwala chronić środowisko i zasoby naturalne.

1.2 Opakowanie urządzenia



Opakowanie urządzenia jest wykonane z materiałów nadających się do recyklingu. Opakowanie należy usunąć w sposób zgodny z lokalnymi przepisami w zakresie ochrony środowiska, tak aby wszystkie materiały zostały poddane recyklingowi.

1.3 Najważniejsze zagrożenia

Ryzyko zatrucia



Rys. 1: Ryzyko zatrucia



Rys. 2: Ryzyko zatrucia



NIEBEZPIECZEŃSTWO! **Ostrzeżenie - ryzyko uduszenia**

Materiały opakowaniowe stanowią zagrożenie dla dzieci. Nie wolno pozwalać dzieciom bawić się materiałami opakowaniowymi.

1

Ważne instrukcje dotyczące bezpieczeństwa i ochrony środowiska

NIEBEZPIECZEŃSTWO!

Ostrzeżenie - niebezpieczeństwo śmierci

Groźne dla życia ryzyko zatrucia występuje z powodu cofania się gazów spalinowych. Aby używać urządzenia z wylotem powietrza, nie należy korzystać równocześnie z urządzeń wytwarzających trujące gazy, jak kuchenki z obiegiem powietrza na gaz, olej, drewno lub węgiel, piecyki, podgrzewacze wody itp., o ile nie ma zapewnionej wystarczającej ilości powietrza. Rys. 3



Urządzenia z obiegiem powietrza (np. kuchenki na gaz, olej, drewno lub węgiel, piecyki, podgrzewacze wody) pobierają gorące powietrze z miejsca instalacji i odprowadzają spaliny poprzez system odprowadzania spalin (np. przewody kominowe). Powietrze jest pobierane przez urządzenie z kuchni i sąsiednich pomieszczeń. W przypadku niewystarczającej ilości powietrza pojawia się próżnia. W takiej sytuacji trujące gazy są pobierane z przewodu kominowego i przewodu spalinowego i cofają się do mieszkania. Rys. 1

Z tego powodu należy zawsze dbać o zapewnienie wystarczającej ilości świeżego powietrza. Rys. 2

OSTRZEŻENIE! **Niebezpieczeństwo pożaru!**

Osad z oleju obecny na filtrze grozi pożarem. Należy czyścić filtr co najmniej raz na kwartał. Nie używać urządzenia bez zamontowanego filtra oleju.

Osad z oleju obecny na filtrze grozi pożarem. W pobliżu urządzenia nie wolno gotować przy użyciu otwartego płomienia, np. stosować flambirowania. Opisany produkt można montować w pobliżu urządzeń grzewczych na paliwo stałe, np. drewno lub węgiel, pod warunkiem że są one wyposażone w zamykaną osłonę zamontowaną na stałe. Powstawanie iskier jest niedopuszczalne.

Gorące oleje roślinne i tłuszcze zwierzęce są łatwopalne. Dlatego należy zawsze zachować ostrożność w obecności gorących olejów roślinnych i tłuszczów zwierzęcych. Nie wolno gasić ognia wodą.

Wyłączyć płytę grzewczą. Przykryć płomień pokrywką, kocem gaśniczym lub podobnym przedmiotem.



1

Ważne instrukcje dotyczące bezpieczeństwa i ochrony środowiska



Płyty grzewcze podczas pracy bez garnków wytwarzają dużo ciepła. Dlatego urządzenie wentylacyjne postawione na płycie grzewczej może ulec uszkodzeniu lub spłonąć. Gazowe płyty grzewcze należy włączać tylko, gdy stoją na nich garnki.

Uruchomienie wielu gazowych pól grzewczych równocześnie powoduje wytwarzanie dużej ilości ciepła. Dlatego urządzenie wentylacyjne postawione na płycie grzewczej może ulec uszkodzeniu lub spłonąć. Nie należy korzystać z dwóch gazowych płyt grzewczych ustawionych na dużą moc przez ponad 15 minut. Palnik o mocy powyżej 5 kW (Wok) dysponuje mocą równą palnikowi o dwóch poziomach mocy gazu.



OSTRZEŻENIE! **Ryzyko porażenia prądem!**

Uszkodzone urządzenie grozi porażeniem prądem. Nie wolno korzystać z uszkodzonego urządzenia. Należy odłączyć przewód zasilający urządzenia lub wyłączyć bezpiecznik w skrzynce bezpiecznikowej. Zadzwoń do działu obsługi klienta.

Naprawy wykonywane w sposób niezgodny z instrukcjami stanowią niebezpieczeństwo. Naprawy i wymianę uszkodzonych przewodów elektrycznych można zlecać wyłącznie serwisantom przeszkolonym przez producenta. Po stwierdzeniu awarii należy odłączyć przewód zasilający urządzenia lub wyłączyć bezpiecznik w skrzynce bezpiecznikowej. Zadzwoń do działu obsługi klienta.

Przeciekanie wody do wnętrza urządzenia grozi porażeniem prądem. Stosowanie myjek ciśnieniowych lub parowych urządzeń czyszczących jest zabronione.

Ważne instrukcje dotyczące bezpieczeństwa i ochrony środowiska

NIEBEZPIECZEŃSTWO!

Ryzyko odniesienia obrażeń!

Istnieje ryzyko odniesienia obrażeń podczas montażu ze względu na ostre krawędzie. Podczas montażu urządzenia należy zawsze stosować rękawice ochronne.

Wszystkie śruby i osłony zabezpieczające należy montować w sposób podany w instrukcji obsługi, ponieważ chronią przed upadkiem urządzenia.

Przedmioty umieszczone na urządzeniu mogą spaść. Nie należy umieszczać żadnych przedmiotów na urządzeniu.

Dioda LED świeci bardzo jasnym światłem i może powodować uszkodzenie oczu (grupa zagrożeń 1). Nie patrzeć bezpośrednio na świecącą diodę LED dłużej niż przez 100 s.



PRZESTROGA



Jeśli okap znajduje się nad urządzeniami kuchennymi, jego wystające części mogą się nagrzewać.



W przypadku napraw wykonanych nieprawidłowo lub niezgodnie z przepisami należy wyłączyć bezpiecznik lub odłączyć przewód zasilający urządzenia. Naprawy mogą wykonywać wyłącznie autoryzowani serwisanci lub upoważniony personel o odpowiednich umiejętnościach.

W przypadku napraw wykonanych nieprawidłowo lub niezgodnie z przepisami należy wyłączyć bezpiecznik lub odłączyć przewód zasilający urządzenia. Naprawy mogą wykonywać wyłącznie autoryzowani serwisanci lub upoważniony, wykwalifikowany personel.

Ważne instrukcje dotyczące bezpieczeństwa i ochrony środowiska

NIEBEZPIECZEŃSTWO!

Ryzyko oparzenia, ryzyko porażenia prądem elektrycznym!

Przed czyszczeniem lub pracami konserwacyjnymi zaczekać, aż urządzenie całkiem ostygnie. Wyłączyć bezpiecznik lub wyjąć z gniazdka wtyczkę przewodu zasilającego urządzenia.

Ryzyko uszkodzenia występuje z powodu przedostania się wilgoci do układów elektronicznych. Nie wolno czyścić elementów sterujących mokrą ściereczką.

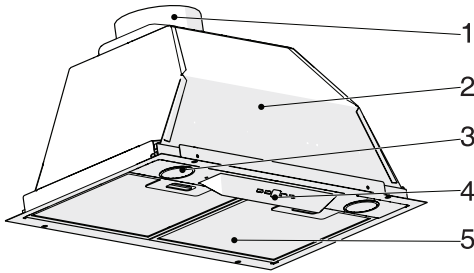
Nieprawidłowe czyszczenie może spowodować uszkodzenie powierzchni. Powierzchnie ze stali nierdzewnej należy czyścić wyłącznie w kierunku szczotkowania. Nie używać środka do stali nierdzewnej do czyszczenia elementów sterujących.

Czyszczenie żrącymi lub ściernymi środkami czyszczącymi grozi uszkodzeniem powierzchni. Nigdy nie używać ściernych ani żrących środków czyszczących.



2 Wygląd urządzenia

2.1 Opis ogólny



1. Przewód kominowy
2. Obudowa
3. Oświetlenie płyty grzejnej
4. Panel sterowania
5. Aluminiowy filtr oleju

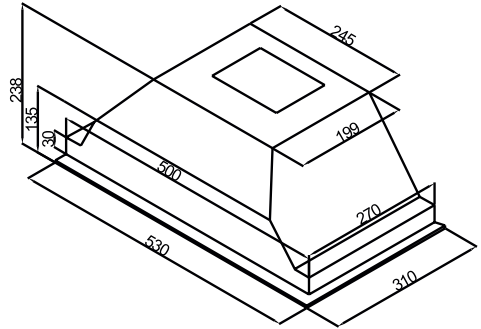
2.2 Dane techniczne

CE Niniejsze urządzenie jest zgodne z dyrektywą WE 2014/30/UE (dyrektywa kompatybilności elektromagnetycznej) i 2014/35/UE (dyrektywa niskonapięciowa [LVD]).

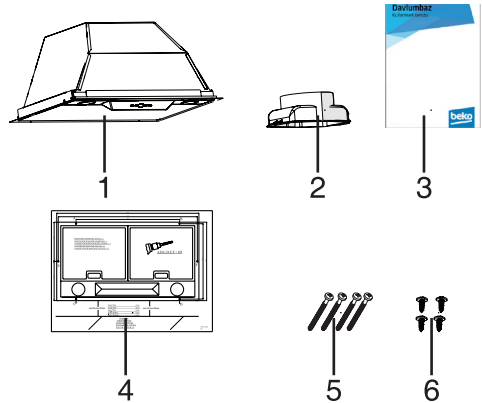
Napięcie zasilania	220-240 V 50 Hz
Moc lampki (W)	2 × 3 W
Moc silnika (W)	1 × 125 W
Klasa izolacji silnika	F
Klasa izolacji	KLASA I

Zastrzega się prawo do modyfikacji konstrukcji i parametrów technicznych. Wymiary na rysunkach technicznych podano w mm. Ilustracje wykonano wyłącznie w celu przedstawienia elementów urządzenia. Wygląd poszczególnych części może się różnić w zależności od modelu urządzenia. Zamieszczone rysunki mają charakter poglądowy.

2.3 Rysunek techniczny w skali



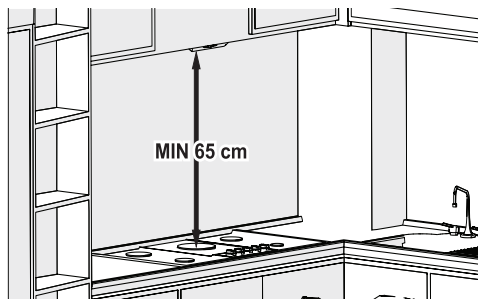
2.4 Zawartość opakowania



1. Okap
2. Plastikowy przewód kominowy $\varnothing 120$ mm
3. Instrukcja obsługi
4. Rysunek instalacyjny
5. 4 wkręty 4×40 (do montażu okapu)
6. Wkręt $3,5 \times 9,5$ (do montażu plastikowego przewodu kominowego)

3 Montaż i korzystanie z urządzenia

3.1 Pozycja urządzenia



- Należy pamiętać o zachowaniu odpowiedniej odległości pomiędzy płytą grzejną a okapem. Zalecana odległość to 65 cm.
- Odległość należy mierzyć od rusztu w przypadku płyt gazowych lub od powierzchni szkła w przypadku płyt elektrycznych.



Nowe urządzenie cechuje się wyjątkową wydajnością energetyczną. W tym miejscu podano porady dotyczące oszczędzania energii podczas korzystania z urządzenia, a także wskazówki dotyczące prawidłowego pozbywania się zużytego urządzenia.

3.2 Oszczędzanie energii

- Do prawidłowej pracy okapu, a także w celu uzyskania niskiego poziomu hałasu podczas gotowania, niezbędny jest odpowiedni dopływ powietrza.
- Poziom mocy wentylatora należy ustawić odpowiednio do ilości pary w kuchni. Najwyższego ustawienia należy używać wyłącznie w razie potrzeby. Niższy poziom mocy oznacza niższe zużycie energii.
- Jeśli przewiduje się gęsty dym w kuchni podczas gotowania, to należy wcześniej ustawić wyższy poziom mocy. Rozproszenie silnego zadymienia

już obecnego w pomieszczeniu wymaga dużo dłuższej pracy okapu.

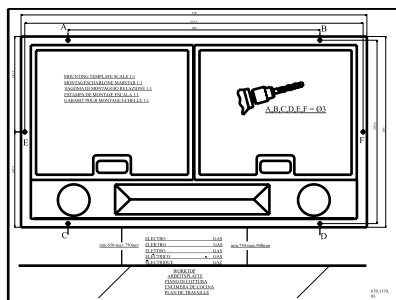
- Należy wyłączyć okap, jeśli nie jest już wykorzystywany.
- Filtr należy czyścić i wymieniać zgodnie z zalecanym harmonogramem, aby zwiększać skuteczność wentylacji i wyeliminować ryzyko pożaru.

3.3 Montaż urządzenia



PRZESTROGA

Podczas wiercenia i cięcia należy stosować rękawice i okulary ochronne.



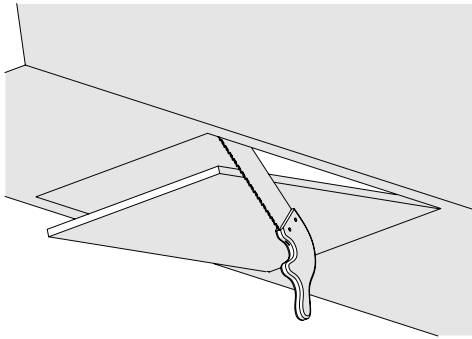
Rys. 6

Wiercenie otworów montażowych

- Nakleić szablon montażowy dołączony do urządzenia w miejscu montażu.
- Wywiercić otwory wskazane na szablonie montażowym jako A, B, C, D, stosując wiertło $\varnothing 4$ mm. Rys. 6

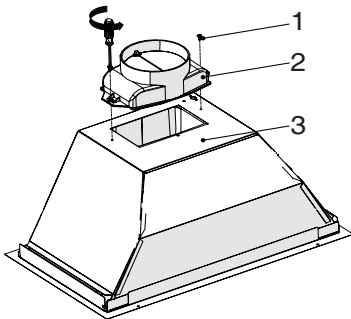
Rys. 7

3 Montaż i korzystanie z urządzenia

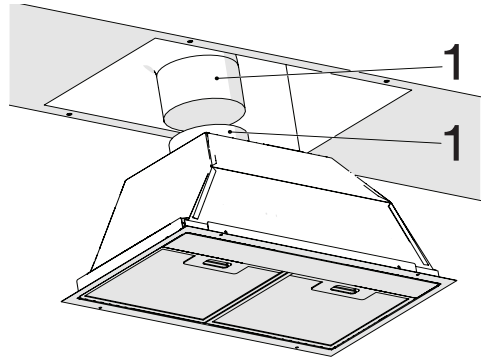


- Wyciąć otwór w dolnej części szafki, w miejscu przeznaczonym do montażu okapu, uwzględniając wymiary z rysunku technicznego (rys. 7).

Rys. 8



1. Wkręt 3,5 × 9,5
 2. Plastikowy przewód kominowy Ø120 mm
 3. Korpus/Gniazdo zaworu
- Zamontować plastikowy przewód kominowy dołączony do zestawu do korpusu urządzenia za pomocą 2 wkrętów 3,5 × 9,5. (Rys. 8) Nie pocierać powierzchni. Rys. 8



Rys. 9

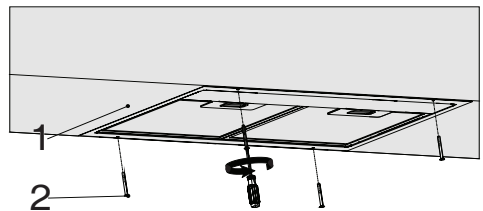
1. Rura odprowadzająca powietrze
2. Przewód kominowy okapu

- Włożyć rurę odprowadzającą powietrze w przewód kominowy i przymocować zaciskiem (rys. 9).



PRZESTROGA

Ponieważ łuki i kolanka w aluminiowym przewodzie spalinowym osłabiają ciąg powietrza, należy ich w miarę możliwości unikać.



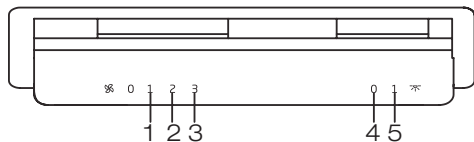
Rys. 10

1. Widok szafki kuchennej z dołu
 2. Wkręt montażowy 4 × 40 do okapu
- Włożyć okap w przygotowane miejsce pod szafką i zamocować go, korzystając z 4 wstępnie nawierconych otworów (rys. 10).

3 Montaż i korzystanie z urządzenia

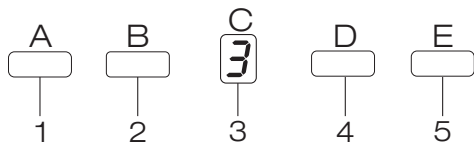
3.4 Korzystanie z urządzenia

3.4.1 Korzystanie z przełącznika



- Przesunąć przełącznik lampy w położenie „0”, aby wyłączyć lampę.
- Przesunąć przełącznik lampy w położenie „1”, aby zapalić lampę.
- Przesunąć przełącznik silnika w położenie „0”, aby wyłączyć silnik.
- Silnik umożliwia korzystanie z trzech poziomów mocy odpowiednio do ilości pary podczas gotowania: 1 oznacza minimalną moc, a 3 oznacza maksymalną moc.

3.4.2 Korzystanie z przełącznika cyfrowego



- A - 1. Przycisk poziomu mocy
B - 2. Przycisk poziomu mocy
C - Wyświetlacz cyfrowy
D - 3. Przycisk poziomu mocy
E - Przełącznik zał./wył. lampki

Przycisk (A): po naciśnięciu tego przycisku okap działa z mocą na poziomie 1 (widoczne na wyświetlaczu). Ponowne naciśnięcie tego przycisku powoduje wyłączenie urządzenia i zgaśnięcie wyświetlacza.

Przycisk (B): po naciśnięciu tego przycisku okap działa z mocą na poziomie 2 (widoczne na wyświetlaczu). Ponowne naciśnięcie tego przycisku powoduje wyłączenie urządzenia i zgaśnięcie wyświetlacza.

Przycisk (E): po naciśnięciu tego przycisku okap działa z mocą na poziomie 3 (widoczne na wyświetlaczu). Ponowne naciśnięcie tego przycisku powoduje wyłączenie urządzenia i zgaśnięcie wyświetlacza.

(C) Wyświetlacz cyfrowy: na wyświetlaczu jest pokazywana prędkość pracy okapu i symbole ostrzegawcze.

(D) Przycisk zał./wył. lampki: naciśnięcie tego przycisku włącza oświetlenie kucharki.

Czyszczenie filtrów metalowych: o konieczności czyszczenia filtrów informuje wyświetlenie symbolu „C” na wyświetlaczu (co 60 godz.) lub co cztery tygodnie (odpowiednio do intensywności użytkowania). Po zakończeniu czyszczenia i włożeniu filtrów na wyłączonym urządzeniu należy nacisnąć i przytrzymać przycisk A przez ponad 3 s, aby skasować symbol „C” z wyświetlacza. Na wyświetlaczu pojawi się litera E, co oznacza przełączenie w tryb normalnej pracy. Aby kontynuować pracę okapu bez kasowania symbolu „C” z wyświetlacza, należy nacisnąć dowolny przycisk poziomu mocy, co spowoduje wyświetlenie prędkości wentylatora w danym momencie przez 1 s, a następnie dalszą pracę okapu z tą samą mocą po ponownym pojawieniu się „C”.

Automatyczne zatrzymanie po 15 minutach: Urządzenie jest wyposażone w funkcję automatycznego wyłączania, z której można korzystać do usuwania zapachu gotowania i pochłaniania pary pozostałej w pomieszczeniu przez pewien czas.

3 Montaż i korzystanie z urządzenia

Aby włączyć funkcję automatycznego zatrzymania, należy nacisnąć przez 3 s ten sam przycisk (A, B, D) odpowiadający poziomowi mocy aktywnemu w danym momencie. Po upływie 15 minut wszystkie funkcje urządzenia zostaną wyłączone.

Naciśnięcie tego samego przycisku odpowiadającego prędkości wentylatora po uprzedniej aktywacji wyłączenia automatycznego spowoduje przerwanie działania funkcji wyłączenia automatycznego. Funkcję tę można wyłączyć poprzez przełączenie na inny poziom mocy. Aby urządzenie wyłączyło się automatycznie, należy ponownie aktywować funkcję wyłączenia automatycznego.

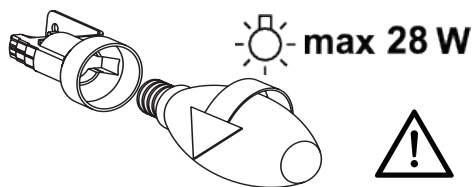
3.5 Wymiana żarówki

3.5.1 Wymiana żarówki



OSTRZEŻENIE

Odłączyć zasilanie od okapu. Można poparzyć dłonie gorącymi żarówkami, należy więc poczekać, aż ostygną.

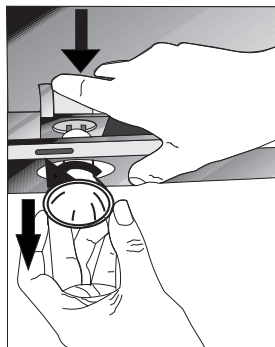
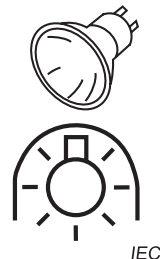


Rys. 11: Wymiana żarówki

- Wyjąć aluminiowy filtr nabożowy. Wyjąć zużytą żarówkę i wymienić na żarówkę o tych samych parametrach. Rys. 11

3.5.2 Wymiana żarówki halogenowej

☀- max 50 W



Rys. 12: Wymiana żarówki halogenowej

- Aby wymienić halogenowe żarówki LED, nacisnąć w dół tył uchwytu lampki i zdjąć, ciągnąc w dół, a następnie obrócić ją odrobnie w kierunku przeciwnym do ruchu wskazówek zegara i zdjąć, ciągnąc w dół. Rys. 12



OSTRZEŻENIE

Stosować wyłącznie lampy wolframowo-halogenowe lub metalohalogenkowe.



UWAGA:

W razie awarii lub uszkodzenia urządzenia należy odłączyć je z zasilania za pomocą bezpiecznika lub poprzez wyjęcie przewodu zasilającego, a następnie wezwać autoryzowanego serwisanta.



UWAGA:

W razie uszkodzenia kabla zasilającego należy go wymienić u producenta, korzystając z usług serwisanta lub osoby o analogicznych kwalifikacjach, aby uniknąć niebezpieczeństwa.

4 Czyszczenie i konserwacja



UWAGA:

W razie awarii lampek zainstalowanych w urządzeniu należy odłączyć je z zasilania za pomocą bezpiecznika lub poprzez odłączenie przewodu. Niezwłocznie wymieniać przepalone żarówki, ponieważ dalsze korzystanie z oświetlenia grozi przeciążeniem pozostałych lamp (należy odczekać, aż żarówka ostygnie).



PRZESTROGA

Jeśli okap znajduje się nad urządzeniami kuchennymi, jego wystające części mogą się nagrzewać.



W przypadku napraw wykonanych nieprawidłowo lub niezgodnie z przepisami należy wyłączyć bezpiecznik lub odłączyć przewód zasilający urządzenia. Naprawy mogą wykonywać wyłącznie autoryzowani serwisanci lub upoważniony personel o odpowiednich umiejętnościach.

W przypadku napraw wykonanych nieprawidłowo lub niezgodnie z przepisami należy wyłączyć bezpiecznik lub odłączyć przewód zasilający urządzenia. Naprawy mogą wykonywać wyłącznie autoryzowani serwisanci lub upoważniony, wykwalifikowany personel.

4 Czyszczenie i konserwacja

PRZESTROGA

Zagrożenie uszkodzeniem z powodu korozji. Należy zawsze uruchamiać urządzenie podczas gotowania, aby zapobiegać powstawaniu skroplin. Skropliny mogą być przyczyną korozji. Niezwłocznie wymieniać przepalone żarówki, ponieważ dalsze korzystanie z oświetlenia grozi przeciążeniem pozostałych lamp. Ryzyko uszkodzenia występuje z powodu dostania się wilgoci do układów elektronicznych. Nie wolno czyścić elementów sterujących mokrą ściereczką. Nieprawidłowe czyszczenie może spowodować uszkodzenie powierzchni. Powierzchnie ze stali nierdzewnej należy czyścić wyłącznie w kierunku szczotkowania. Nie używać środka do stali nierdzewnej do czyszczenia elementów sterujących. Czyszczenie żrącymi lub ściernymi środkami czyszczącymi grozi uszkodzeniem powierzchni. Nigdy nie używać ściernych ani żrących środków czyszczących. Ryzyko uszkodzenia z powodu cofania się kondensatu. Należy zainstalować przewód wylotowy powietrza ze spadkiem 1° pod urządzeniem.



PRZESTROGA

Urządzenia można używać w trybie zanieczyszczonego powietrza i trybie cyrkulacji powietrza.



Tryb zanieczyszczonego powietrza
Pobrane powietrze jest czyszczone przez filtry oleju i odprowadzane przez system rur. (Rys. 3). Jeśli zanieczyszczone powietrze ma być odprowadzane do nieczynnego przewodu kominowego lub spalinowego, należy otrzymać zezwolenie od specjalisty w dziedzinie oczyszczania powietrza. Jeśli zanieczyszczone powietrze jest odprowadzane przez ścianę zewnętrzną, należy użyć stelaża podtynkowego.



Pobrane powietrze jest czyszczone przez filtry oleju oraz filtr z węglem aktywnym i odprowadzane z powrotem do kuchni. Rys. 4



UWAGA!

Zanieczyszczone powietrze nie powinno być kierowane do przewodu kominowego ani spalinowego, ani też do przewodu używanego do wentylacji pomieszczeń, w których zainstalowano źródła ogrzewania.



Aby zatrzymać materiały emitujące nieprzyjemne zapachy podczas trybu cyrkulacji powietrza, należy zamontować filtr z węglem aktywnym. Aby uzyskać więcej informacji na temat sposobów korzystania z urządzenia w trybie cyrkulacji powietrza, należy skonsultować się z autoryzowanym dealerem. Akcesoria potrzebne do przeprowadzenia tej procedury można kupić w odpowiednich punktach sprzedaży, od autoryzowanych agentów serwisowych lub w sklepie internetowym.

4 Czyszczenie i konserwacja

Zakupione urządzenie nadaje się do użytku z filtrem węglowym. Aby zamontować filtr węglowy:

1 - Umieścić filtr węglowy w obudowie. Rys. 15/1

2 - Obrócić filtr węglowy w kierunku zgodnym z ruchem wskazówek zegara, aby upewnić się, że jest odpowiednio zamontowany. Rys. 15/2



Res.13



Res.14



Res.15



Jeśli filtr węglowy nie jest prawidłowo zamocowany, może wypaść i uszkodzić urządzenie.



PRZESTROGA

Nigdy nie myć filtrów węglowych. Chronić filtry węglowe przed dziećmi.



PRZESTROGA

Dzieci nie mogą czyścić produktu ani przeprowadzać konserwacji bez nadzoru.

- Czyszczenie żrącymi lub ściernymi środkami czyszczącymi grozi uszkodzeniem powierzchni. Nigdy nie używać ściernych ani żrących środków czyszczących. Środki czyszczące i materiały zabezpieczające odpowiednie do użytku z urządzeniem można uzyskać w autoryzowanym serwisie. Powierzchnia urządzenia i elementy sterujące są podatne na zarysowania.
- Czyścić powierzchnie miękką ściereczką zwilżoną płynem do zmywania lub płynem do mycia szyb. Zaschnięte i przyklejone zabrudzenia zmiękczyć wilgotną ściereczką. Nie zdrapywać!
- Suche ściereczki, drapiące gąbki, materiały wymagające pocierania, piasek i inne silnie działające środki czyszczące zawierające wodę mineralną, kwas lub chlor nie są odpowiednie.
- Powierzchnie ze stali nierdzewnej czyścić wyłącznie w kierunku szcztokowania.

- Nie używać środków czyszczących do stali nierdzewnej ani mokrych ściereczek do czyszczenia elementów sterujących. Czyszczenie metalowych filtrów oleju. Używane metalowe filtry oleju zatrzymują pojawiającą się w kuchni wilgoć oraz cząsteczki oleju zawarte w parze. W przypadku regularnego korzystania (od 1 do 2 godzin dziennie) czyścić metalowe filtry oleju co około 3 miesiące.
- Nie czyścić silnie działającymi środkami czyszczącymi, zawierającymi kwas ani powodującymi rdzewienie.
- Do czyszczenia metalowych filtrów oleju używać mokrej ściereczki, aby wyczyścić części wychwytyjące filtra wewnątrz urządzenia.
- Metalowe filtry oleju można myć w zmywarce lub ręcznie.
- Nie rozpryskiwać środków czyszczących bezpośrednio na urządzenie.
- Nie stawiać przedmiotów palnych ani ciężkich ozdób na urządzeniu.

4.1 Mycie w zmywarce

- W przypadku mycia w zmywarce może się pojawić lekkie przebarwienie. Nie wpływa to na działanie metalowego filtra oleju.
- Nie myć mocno zabrudzonych metalowych filtrów oleju razem z naczyniami.
- Rozmieścić metalowe filtry oleju w zmywarce z zachowaniem wyraźnych odstępów. Metalowe filtry oleju nie powinny być ściśnięte w zmywarce.

4.2 Mycie ręczne

- W przypadku uporczywych zabrudzeń użyć specjalnego środka do rozpuszczania oleju. Można go nabyć w autoryzowanych centrach sprzedaży.
- Namoczyć metalowy filtr oleju w gorącej wodzie z dodatkiem płynu do zmywania.
- Do czyszczenia używać szczotki i poczekać, aż płyn dobrze wsiąknie w metalowy filtr oleju. Po czyszczeniu dokładnie wypłukać filtr.
- Zmiany w danych technicznych produktu oraz treści instrukcji obsługi mogą być wprowadzane bez powiadomienia.

4 Czyszczenie i konserwacja

- Opisywane urządzenie jest zgodne z rozporządzeniem w sprawie zużytego sprzętu elektrycznego i elektronicznego (WEEE).
- Okap jest przeznaczony do użytku nad płytą grzewczą. Należy się upewnić, że nośność ściany jest odpowiednia do zainstalowania okapu. Wszelkie koszty związane z wyburzaniem, cięciem i podobnymi pracami wymaganymi w celu montażu urządzenia ponosi klient. Z okapu można korzystać z przewodem odprowadzającym spalinę do atmosfery lub bez takiego przewodu (po zamontowaniu filtra węglowego). Należy brać pod uwagę wszystkie aspekty, które można napotkać przed rozpoczęciem i w trakcie instalacji. Instalacja powinna być wykonana przez wykwalifikowanych serwisantów. Instalację może wykonywać wyłącznie upoważniony specjalista znający się na wentylacji. Okres żywotności urządzenia określony przez Ministerstwo przemysłu (okres dostępności części zamiennych potrzebnych do prawidłowego działania funkcji urządzenia) wynosi 10 (dziesięć) lat.
- Podczas przenoszenia i transportu urządzenia należy umieścić je w oryginalnym opakowaniu, aby zapobiec uszkodzeniom podzespołów.
- Urządzenie podczas przenoszenia musi znajdować się w położeniu takim samym jak do pracy.
- Należy uważać, aby nie upuścić urządzenia, a także zabezpieczyć je przed uszkodzeniem podczas transportu. Gwarancja nie dotyczy usterek i uszkodzeń powstałych podczas transportu po dostarczeniu urządzenia do klienta.

Nejprve si přečtěte tento návod k použití!

Vážený zákazníku,

Děkujeme, že jste si vybrali tento produkt značky Beko. Doufáme, že s tímto spotřebičem, který byl vyroben s využitím vysoce kvalitní a moderní technologie, dosáhnete těch nejlepších výsledků. Z tohoto důvodu si před použitím spotřebiče pečlivě přečtěte celý návod k použití a jakékoli doplňující dokumenty a uchovejte je pro budoucí použití. Pokud spotřebič předáte další osobě, rovněž jí předejte návod k použití. Dodržujte pokyny a věnujte pozornost všem informacím a varováním uvedeným v návodu k použití.


Nezapomeňte, že se tento návod může vztahovat i k několika jiným modelům. Rozdíly mezi modely jsou v návodu výslovně popsány.

Význam symbolů

V různých částech tohoto návodu k použití jsou použity následující symboly:

	Důležité informace a užitečné tipy k použití.
--	---

	VAROVÁNÍ: Upozornění na nebezpečné situace týkající se ohrožení života a majetku.
--	--

	Varování před nebezpečím požáru.
--	----------------------------------

	Varování před úrazem elektrickým proudem.
--	---



Tento spotřebič byl vyroben v ekologicky šetrných a moderních zařízeních bez negativního dopadu na životní prostředí.

1 Důležité pokyny z hlediska bezpečnosti a životního prostředí

1.1 Obecné bezpečnostní pokyny

- Tento spotřebič mohou používat děti starší 8 let a osoby, které mají dostatečné fyzické, smyslové nebo duševní schopnosti a mají odpovídající zkušenosti a znalosti, pod podmínkou, že jsou pod dozorem nebo byly informovány o bezpečném používání spotřebiče a souvisejícím nebezpečí.
- Děti si nesmí se spotřebičem manipulovat. Čištění a údržba nesmí být prováděny dětmi, pokud na ně nedohlíží starší osoby.
- Tento spotřebič je určen jen pro domácí použití.
- Provozní napětí vašeho výrobku je 220 - 240 V ~ 50 - 60 Hz.
- Uzemněná zástrčka je připojena k napájecímu kabelu vašeho spotřebiče. Tento kabel musí být zastrčen do uzemněné zásuvky.
- Elektrickou instalaci musí provádět kvalifikovaný elektrikář.
- Instalace prováděná neoprávněnými osobami může způsobit provoz s nízkým výkonem, poškození spotřebiče a nehody.
- Musí být zabráněno zaseknutí napájecího kabelu na místě nebo jeho rozdrčení při instalaci. Napájecí kabel nesmí být umístěn v blízkosti varné desky. V takových případech se může kabel roztavit a způsobit požár.
- Nezapojujte produkt do elektrické sítě před dokončením instalace.
- Ujistěte se, že zástrčka je v místě, kde je snadno přístupná, aby se v případě nebezpečí mohla odpojit od napájení.
- Nedotýkejte se žárovek, pokud jsou v provozu delší dobu. Mohou spálit ruce, protože budou horké.
- Kuchyňské digestoře jsou vyráběny pro běžné vaření a domácí použití. V případě použití pro jiné účely může dojít k poruše výrobku a zrušení záruky.
- Dodržujte předpisy stanovené příslušnými úřady o vypouštění odpadního vzduchu (toto upozornění se nevztahuje na použití bez kouřovodu).
- Pod spotřebičem se nesmí vařit hořlavé potraviny.
- Spusťte spotřebič po umístění hrnce, pánve apod. na varnou desku. V opačném případě může vysoká teplota způsobit deformaci některých částí výrobku.

1 Důležité pokyny z hlediska bezpečnosti a životního prostředí

- Před sejmutím hrnce, pánve apod. vypněte varnou desku.
- Nenechávejte na varné desce horký olej. Nádoby s horkým olejem mohou způsobit samovznícení.
- Dávejte pozor na záclony a závěsy, protože olej se může při smažení některých potravin, jako jsou hranolky, vznítit.
- Zajistěte, aby se filtry měnily včas. V důsledku hromadění oleje na filtrech, které nebyly včas vyměněny, hrozí nebezpečí požáru.
- Namísto filtru nepoužívejte filtrační materiály neodolné proti ohni.
- Neprovozujte spotřebič bez filtru a neodstraňujte filtry, když je spotřebič spuštěn.
- V případě požáru odpojte digestoř a varné spotřebiče od napájení. (Odpojte spotřebič nebo vypněte hlavní vypínač).
- Pokud není pravidelné čištění prováděno správně, hrozí nebezpečí požáru.
- Před údržbovými pracemi přerušete napájení spotřebiče. (Odpojte spotřebič nebo vypněte hlavní vypínač).
- Podtlak v místnosti nesmí překročit 4 Pa (4 x 10 bar), zatímco digestoř pro elektrickou varnou desku a spotřebiče pracující na jiném typu energie, než je elektřina, pracují současně.
- V prostředí, kde je spotřebič používán, musí být odvětrávací zařízení běžících na topném oleji nebo plynu, jako je teplovzdušný ventilátor, naprosto izolovaný nebo zařízení musí být hermetického typu.
- Při připojování kouřovodu použijte trubky o průměru 120 nebo 150 mm. Připojení trubek musí být co nejkratší a mít co nejméně záhybů.
- Děti si nesmí se spotřebičem manipulovat.
- Pro vaši bezpečnost používejte v digestoři pojistku „MAX 6 A“.
- Obalové materiály uchovávejte mimo dosah dětí, protože pro ně mohou představovat nebezpečí.
- Pokud je poškozen napájecí kabel, musí jej vyměnit výrobce, servisní středisko nebo podobně kvalifikovaná osoba, aby se předešlo nebezpečí.
- V případě požáru odpojte digestoř a varné spotřebiče od napájení a zakryjte plamen. Nikdy nehasete oheň vodou.

1 Důležité pokyny z hlediska bezpečnosti a životního prostředí

- Pokud jsou spotřebiče na vaření spuštěny, mohou být jejich přístupné části horké.
- Toto zařízení není určeno pro použití osobami (včetně dětí) s omezenými fyzickými, vjemovými nebo mentálními schopnostmi, nebo osobami, které nemají dostatek zkušeností, ani znalostí, pokud požívají daný výrobek bez dohledu nebo náležitých pokynů od osoby odpovědné za jejich bezpečnost.
- Když je instalace digestoře pro elektrické varné desky dokončena, musí být mezi spotřebičem a elektrickými varnými deskami minimální vzdálenost 65 cm.
- Vývod digestoře nesmí být připojen ke vzduchovodům, do kterých je vyveden jiný kouř.
- Dbejte opatrnosti při použití spotřebiče se zařízeními, která využívají vzduch a palivo (např. ohřívače, ohřívače vody na plyn, naftu, uhlí nebo dřevo, nebo ohřívače vody) ve stejném prostředí. To může nepříznivě ovlivnit spalování, protože digestoř vypouští vzduch do okolního prostředí.
- Toto varování se nevztahuje na použití bez kouřovodu.
- Ventilace v místnosti může být nedostatečná, pokud je digestoř pro elektrickou varnou desku používána současně se zařízeními na plyn nebo jiná paliva (to neplatí pro spotřebiče, které vypouštějí vzduch zpět do místnosti).

1.1 Shoda se směrnicí WEEE a likvidace produktů



Tento výrobek neobsahuje škodlivé a zakázané materiály uvedené v „Nařízení o dohledu nad odpadními elektrickými a elektronickými zařízeními“ vydané Ministerstvem životního prostředí a urbanistického plánování. Splňuje požadavky směrnice OEEZ. Tento výrobek je vyroben z vysoce kvalitních součástí a materiálů, které lze recyklovat a používat opakovaně. Na konci životnosti výrobku ho nevyhazujte s běžným domovním odpadem. Vezměte jej na sběrné místo k recyklaci elektrických a elektronických zařízení. Obratě se na místní úřady pro sběrná místa ve vašem regionu. Pomáhejte chránit životní prostředí a přírodní zdroje pomocí recyklace použitých výrobků.

1 Důležité pokyny z hlediska bezpečnosti a životního prostředí

1.2 Balení spotřebiče



Obaly použité na spotřebiči jsou vyrobené z recyklovatelných materiálů. Zajistěte prosím, aby obalové materiály byly likvidovány v souladu s příslušnými místními pravidly a byly tak zrecyklovány za účelem ochrany životního prostředí.

1.3 Život ohrožující riziko Riziko otravy



Obr. 1: Riziko otravy



Obr. 2: Riziko otravy



NEBEZPEČÍ! **Varování - Riziko** **udušení**

Obalové materiály jsou pro děti nebezpečné. Nedovolte dětem manipulovat s obalovými materiály.

NEBEZPEČÍ! **Varování - Nebezpečí** **smrti**



Život ohrožující riziko, riziko otravy je způsobeno znovu absorbovanými spalovacími plyny. Pro použití s výstupem vzduchu nepoužívejte spotřebič současně se zařízeními, které vylučují jedovaté plyny, jako jsou kamna s cirkulací vzduchu provozována s plynem, olejem, dřevem nebo dřevěným uhlím, lázeňská kamna, ohříváče vody atd., pokud není zajištěn dostatečný přívod vzduchu. Obr. 3

Zařízení s cirkulací vzduchu (např. kamna, která jsou provozována s plynem, olejem, dřevem nebo dřevěným uhlím, lázeňská kamna, ohříváče vody) odebírají vzduch z instalačního místa a vypouštějí odpadní plyn prostřednictvím systému odpadních plynů (např. kouřovodu). Spotřebič během provozu absorbuje vzduch z kuchyně a sousedních místností. Pokud není dodáno dostatečné množství vzduchu, může docházet k tvoření vaku. V tomto případě se jedovaté plyny absorbují zpět z kouřovodu a potrubí na odpadní plyny a vracejí se zpět do místnosti. Obr. 1

Z tohoto důvodu je třeba zajistit, aby bylo vždy dodáváno dostatečné množství čistého vzduchu. Obr. 2

1 Důležité pokyny z hlediska bezpečnosti a životního prostředí

VAROVÁNÍ! **Nebezpečí požáru!**

Olejový kal na olejovém filtru se může vznítit. Olejový filtr vyčistěte nejméně jednou každé tři měsíce. Nikdy spotřebič nepoužívejte bez olejového filtru.

Olejový kal na olejovém filtru se může vznítit. Nikdy nepracujte s plamenem v blízkosti spotřebiče (např. flambování). Spotřebič smí být instalován pouze v blízkosti topného zařízení, které je ohříváno pevným palivem (např. dřevem nebo uhlím) za předpokladu, že je k dispozici uzavřený kryt, který není odnímatelný. Nesmí být způsobeny žádné jiskry.

Horké rostlinné oleje a tuk se snadno vznítí. Pozornost by měla být vždy věnována horkým rostlinným olejům a tukům. Nesnažte se uhasit oheň vodou.

Vypněte varnou desku. Plamen opatrně přikryjte víkem, nehořlavou dekou nebo podobným předmětem.



Plynové varné desky, které na nich nemají žádné kuchyňské nádoby, vytvářejí během provozu vysoké teplo. Větrací zařízení umístěné na varné desce se proto může poškodit nebo shořet. Plynové varné desky používejte pouze v případech, že je na nich nádoby na vaření.

Provoz více než jedné plynové varné desky současně způsobuje vysoké teplo. Větrací zařízení umístěné na varné desce se proto může poškodit nebo shořet. Nepoužívejte dvě plynové varné desky s vysokým plamenem déle než 15 minut. Hořák s výkonem nad 5kW (Wok) je roven hořáku se dvěma hladinami plynu.

1 Důležité pokyny z hlediska bezpečnosti a životního prostředí

VAROVÁNÍ!

Nebezpečí úrazu elektrickým proudem!

Vadný spotřebič může způsobit úraz elektrickým proudem. Nepoužívejte vadný spotřebič. Odpojte ho nebo vyjměte pojistku z pojistkové skříňky. Kontaktujte zákaznické centrum.

Opravy, které nejsou v souladu s pokyny, představují hrozbu. Opravy a výměny vadných elektrických kabelů smí provádět pouze servisní technik vyškolený naší firmou. Pokud je spotřebič vadný, odpojte ho nebo vyjměte pojistku z pojistkové skříňky. Kontaktujte zákaznické centrum.

Voda unikající do spotřebiče může způsobit úraz elektrickým proudem. Nesmí se používat vysokotlaké nebo parní čističe.



NEBEZPEČÍ!

Nebezpečí zranění!

Hrozí nebezpečí poranění během instalace v důsledku ostrých hran. Při instalaci spotřebiče vždy používejte ochranné rukavice.

Všechny bezpečnostní šrouby a bezpečnostní kryty musí být instalovány tak, jak je uvedeno v návodu k použití z důvodu nebezpečí pádu spotřebiče.

Objekty na spotřebiči mohou spadnout. Nepokládejte na spotřebič žádné předměty.

Světlo LED je příliš ostré a může poškodit vaše oči (skupina nebezpečí 1). Nedívejte se přímo na světlo LED déle než 100 sekund.



UPOZORNĚNÍ

Přístupné součástky se mohou zahřát při použití s vařiči.



V případě oprav, které nebyly provedeny řádně nebo v souladu s pravidly, vypněte pojistku nebo odpojte spotřebič ze zásuvky. Opravy smí provádět pouze autorizovaný servis nebo autorizovaný odborný personál.

V případě oprav, které nebyly provedeny řádně nebo v souladu s pravidly, vypněte pojistku nebo odpojte spotřebič ze zásuvky. Opravy smí provádět pouze autorizovaný servis nebo autorizovaný kvalifikovaný personál.



1 Důležité pokyny z hlediska bezpečnosti a životního prostředí

NEBEZPEČÍ! **Nebezpečí popálení, nebezpečí úrazu elektrickým proudem!**

Před čištěním nebo údržbou vyčkejte, až spotřebič vychladne. Vypněte pojistku nebo odpojte spotřebič.

Nebezpečí poškození v důsledku pronikání vlhkosti do elektroniky. Regulátory nikdy nečistěte mokrým hadříkem.

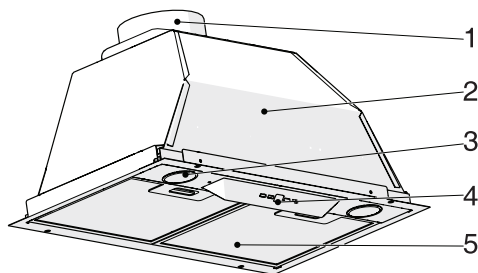
Při nesprávném čištění může dojít k poškození povrchu. Povrchy z nerezové ocele čistěte pouze ve směru kartáčování. Pro regulátory nepoužívejte čistič na nerezovou ocel.

Povrch může být poškozen abrazivními nebo třecími čistícími prostředky. Nikdy nepoužívejte abrazivní čistící prostředky.



2 Celkový vzhled

2.1 Přehled



1. Kouřovod
2. Tělo
3. Osvětlení varné desky
4. Ovládací panel
5. Hliníkový olejový filtr

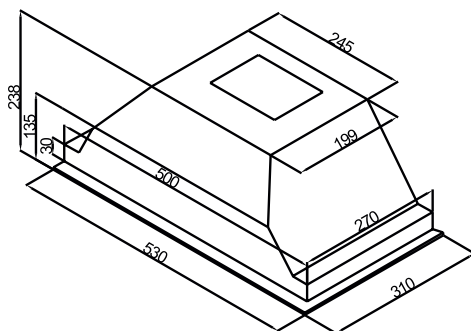
2.2 Technické údaje

CE Tento spotřebič splňuje evropskou směrnici CE 2014/30/EU (směrnice o elektromagnetické kompatibilitě) a 2014/35/EU (směrnice o nízkém napětí (LVD)).

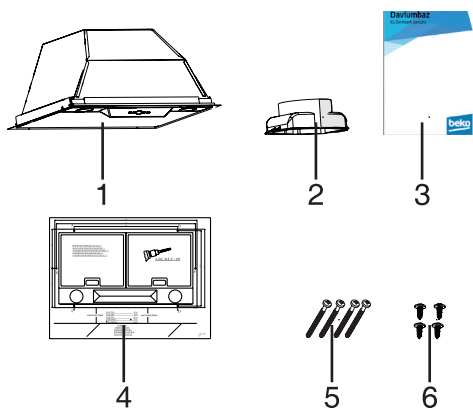
Napájecí napětí	220 - 240V 50 Hz.
Výkon žárovky (W)	2x3 W
Výkon motoru (W)	1x125 W
Izolační třída motoru	F
Izolační třída	I

Technické a vzhledové změny vyhrazeny. Rozměry uvedené v technických výkresích jsou v mm. Tento obrázek je uveden pouze pro informaci o částech spotřebiče. Části se mohou lišit podle modelu spotřebiče. Obrázky jsou poskytovány reprezentativním způsobem.

2.3 Technický výkres



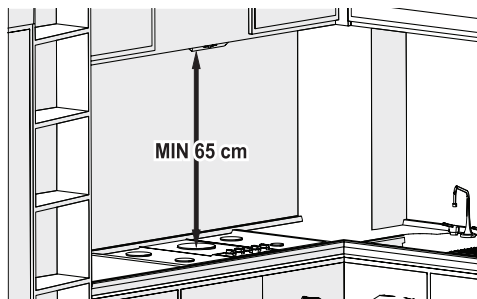
2.4 Obsah balení



1. Digestor
2. Plastový kouřovod Ø120 mm
3. Návod k použití
4. Instalační náčrt
5. 4x Šroub 4x40 (pro instalaci digestoře)
6. Šroub 3,5 x 9,5 (pro montáž plastového kouřovodu)

3 Instalace a použití spotřebiče

3.1 Umístění spotřebiče



- Před instalací je třeba věnovat pozornost vzdálenosti mezi varnou deskou a digestoří. Tato vzdálenost musí být 65 cm.
- Měření musí být provedeno od mřížky na plynových varných deskách a od skla na elektrických varných deskách.



Váš nový spotřebič je obzvláště energeticky účinný. Najdete zde několik rad, jak ušetřit více energie při používání spotřebiče, a zda je nutné řádně spotřebič likvidovat.

3.2 Co je třeba udělat pro úsporu energie;

- Zajistěte dostatečný přívod vzduchu, aby byla digestoř schopna pracovat efektivně a s nízkým provozním hlukem během vaření.
- Nastavte úroveň ventilátoru podle hustoty páry v kuchyni. Použijte vysokou úroveň pouze v případě potřeby. Nižší úroveň ventilátoru znamená nižší spotřebu energie.
- Pokud se v kuchyni očekává hustý kouř, vyberte vyšší úroveň ventilátoru předem. Pro odstranění kouře, který je již rozšířený po celé kuchyni, je nutné používat digestoř mnohem déle.
- Pokud digestoř nepoužíváte, vypněte ji.

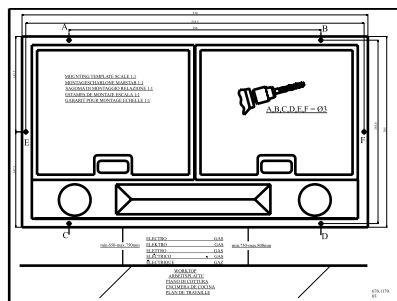
- V uvedených intervalech vyčistěte nebo vyměňte filtr, čímž se zvýší účinnost větrání a vyloučí se nebezpečí požáru.

3.3 Instalace spotřebiče



UPOZORNĚNÍ

Při vrtání a řezání používejte ochranné rukavice a brýle.

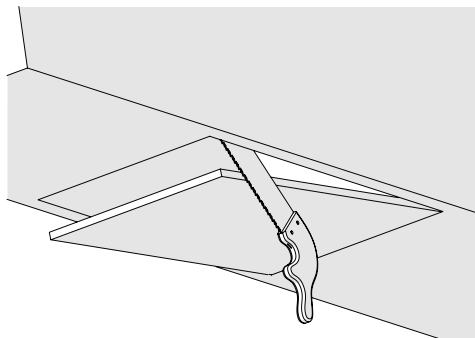


Obr. 6

Vrtání montážních otvorů

- Použijte montážní šablonu dodanou s přístrojem na povrch, na kterém bude instalace provedena.
- Vyvrtejte otvory označené na instalační šabloně písmeny A, B, C, D vrtákem s $\varnothing 4$ mm. Obr. 6

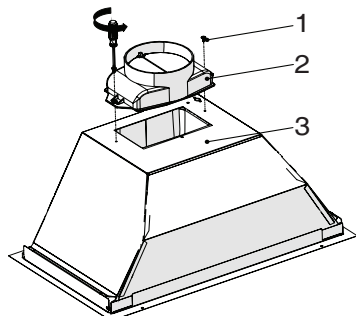
Obr. 7



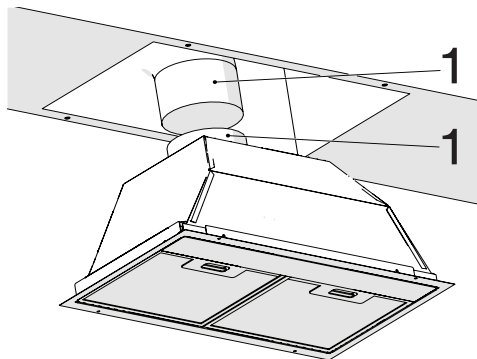
3 Instalace a použití spotřebiče

- Odřízněte spodní povrch skříně, kde bude instalována digestoř, v rozměrech specifikovaných v technickém výkresu (Obr. 7).

Obr. 8



1. Šroub 3,5 x 9,5
 2. Plastový kouřovod Ø 120 mm
 3. Zásuvka tělesa ventilu
- Pomocí 2 šroubů 3,5 x 9,5 připevněte k tělesu spotřebiče plastový kouřovod dodávaný se spotřebičem. (Obr. 8) Neotírejte je o povrch. Obr. 8



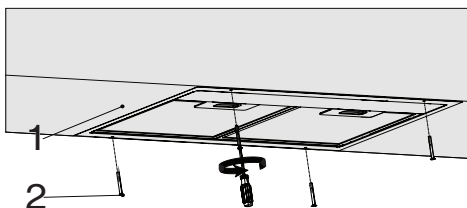
Obr. 9

1. Potrubí vývodu vzduchu
 2. Kouřovod digestoře
- Připojte potrubí vývodu vzduchu ke kouřovodu a upevněte pomocí svorky (Obr. 9).



UPOZORNĚNÍ

Jelikož ohyby a kolena na hliníkovém kouřovodu způsobí pokles sacího výkonu, používejte je co možná nejméně.

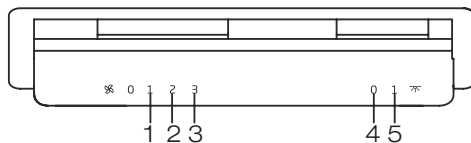


Obr. 10

1. Pohled zdola kuchyňské linky
 2. Montážní šroub 4x40
- Digestoř umístěte do kuchyňské skřínky a namontujte na 4 instalační otvory, které byly předtím vyvrtány (Obr. 10).

3.4 Použití spotřebiče

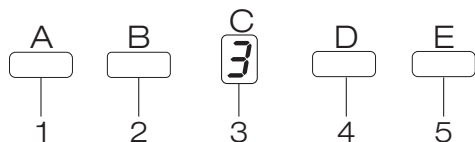
3.4.1 Použití kolébkového spínače



- Přepněte spínač světla do polohy „0“, abyste světlo vypnuli.
- Přepněte spínač světla do polohy „1“, abyste světlo zapnuli.
- Přepněte spínač motoru do polohy „0“ a motor se vypne.
- Motor můžete ovládat v 1. stupni minimální rychlosti a ve 3. stupni maximální rychlosti podle hustoty páry.

3 Instalace a použití spotřebiče

3.4.2 Použití digitálního spínače



- A- 1. Tlačítko úrovně
- B- 2. Tlačítko úrovně
- C- Digitální displej
- D- 3. Tlačítko úrovně
- E- Tlačítko vypnutí/zapnutí světla

(A) Tlačítko: Stisknutím tohoto tlačítka se spustí digestoř na 1. úrovni. (Zobrazí se na obrazovce) Pokud znovu stisknete toto tlačítko, obrazovka a digestoř se vypne.

(B) Tlačítko: Stisknutím tohoto tlačítka se spustí digestoř na 2. úrovni. (Zobrazí se na obrazovce) Pokud znovu stisknete toto tlačítko, obrazovka a digestoř se vypne.

(E) Tlačítko: Stisknutím tohoto tlačítka se spustí digestoř na 3. úrovni. (Zobrazí se na obrazovce) Pokud znovu stisknete toto tlačítko, obrazovka a digestoř se vypne.

(C) Digitální displej: Zobrazuje vybrané symboly rychlosti a varování.

(D) Tlačítko vypnutí/zapnutí světla: Varnou plochu můžete osvětlit stisknutím tohoto tlačítka.

Interval čištění kovových filtrů: Filtry by měly být vyčištěny, když se na displeji zobrazí symbol „C“ (každých 60 hodin) nebo každé čtyři týdny (podle použití). Stiskněte a podržte tlačítko A déle než 3 sekundy (při vypnutém spotřebiči) pro vymazání symbolu „C“ po vyčištění a instalaci filtrů. Na displeji se zobrazí písmeno E a přepne se do normálního provozu. Pokud chcete spotřebič používat bez vymazání signálu C, zobrazí se aktivní rychlost po dobu 1 sekundy, když stisknete kterýkoliv z tlačítek úrovně a motor bude pokračovat ve zvolené úrovni po opětovném zobrazení signálu C.

Automatické zastavení 15 min.: Spotřebič má funkci automatického zastavení, která eliminuje zápach, vypouští páru po dokončení vaření, nechává spotřebič automaticky zastaven a chvíli provádí větrání místnosti.

Chcete-li aktivovat funkci automatického zastavení, stiskněte a podržte tlačítko (A, B, D) podle aktuální úrovně rychlosti po dobu 3 sekund. Na konci provozu po dobu 15 minut se zastaví všechny provozní funkce vašeho spotřebiče.

3 Instalace a použití spotřebiče

Funkce automatického zastavení bude deaktivována a motor spotřebiče se zastaví, když stisknete stejné tlačítko odpovídající úrovni rychlosti, zatímco je aktivní funkce automatického zastavení. Tato funkce bude deaktivována, když přepnete na jinou úroveň rychlosti. Chcete-li, aby se spotřebič automaticky zastavil, musíte znovu aktivovat funkci automatického zastavení spotřebiče.

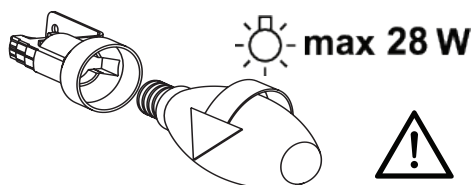
3.5 Výměna žárovky

3.5.1 Výměna svíčkové žárovky



VAROVÁNÍ

Odpojte napájení digestoře. Horké žárovky mohou popálit vaše ruce, tak počkejte až vychladnou.

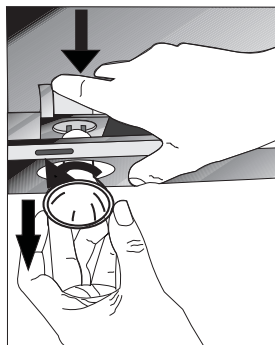


Obr. 11: Výměna svíčkové žárovky

- Vyjměte hliníkový vložkový filtr. Vyjměte vadnou žárovku a vyměňte ji za novou se stejnými hodnotami. Obr. 11

3.5.2 Výměna halogenové žárovky

 max 50 W



Obr. 12: Výměna halogenové žárovky

- Pro výměnu halogenových žárovek zatlačte dolů ze zadní strany držáku žárovky a vyjměte žárovku směrem dolů a pak otočte trochu proti směru hodinových ručiček a vytažením dolů vyjměte. Obr. 12



VAROVÁNÍ

Používejte pouze halogenovou žárovku s wolframovou ochranou nebo samoochrannou halogenidovou žárovku.



POZNÁMKA:

Pokud se spotřebič porouchá nebo poškodí, vypněte pojistku nebo odpojte spotřebič a zavolejte autorizovaného servisního technika.

4 Čištění a údržba



POZNÁMKA:

Pokud je poškozen napájecí kabel, musí jej vyměnit výrobce, servisní středisko nebo podobně kvalifikovaná osoba, aby se předešlo nebezpečí.



POZNÁMKA:

V případě poruchy žárovky spotřebiče vypněte pojistku nebo odpojte spotřebič. Vadné žárovky ihned vyměňte, abyste zabránili přetížení dalších žárovek (počkejte, než žárovky vychladnou).



UPOZORNĚNÍ

Nikdy uhlíkové filtry neumývejte. Udržujte uhlíkové filtry mimo dosah dětí.



UPOZORNĚNÍ

Čištění a údržbu nesmí děti provádět bez dohledu dospělé osoby.

- Povrch může být poškozen abrazivními nebo třecími čistícími prostředky. Nikdy nepoužívejte abrazivní nebo třecí čistící prostředky. Z autorizovaného servisu si obstarajte čistící prostředky a ochranné materiály vhodné pro váš spotřebič. Povrch spotřebiče a regulátory jsou citlivé na poškrábání.
- Povrch čistěte měkkým a vlhkým hadříkem, mycím prostředkem nebo jemným čistícím prostředkem na sklo. Suchou a ulpělou nečistotu změkčete vlhkým hadříkem. Neseškrabujte!
- Suché hadry, houby, které mohou poškrábat, materiály, které vyžadují tření, písek a další účinné čistící prostředky obsahující minerální vodu, kyselinu nebo chlorid, nejsou vhodné.
- Povrchy z nerezové ocele čistěte pouze ve směru broušení.



UPOZORNĚNÍ

Tento spotřebič můžete používat v režimu odpadního vzduchu a v režimu cirkulace vzduchu.



Režim odpadního vzduchu

Absorbovaný vzduch je čištěn olejovými filtry a vypouštěn potrubním systémem. (Obr. 3) Chcete-li odvádět odpadní vzduch do vyrazeného kouřovodu, musíte získat povolení od autorizovaného odborníka na čištění kouřovodu. Pokud je odpadní vzduch vypouštěn přes vnější stěnu, je třeba použít teleskopický rám.



Absorbovaný vzduch je čištěn olejovými filtry a filtrem s aktivním uhlím a vypouštěn do kuchyně. Obr. 4



POZNÁMKA!

Odpadní vzduch nesmí být přenášen do kouřového nebo spalínového kouřovodu, ani do kouřovodů používaných pro větrání míst, kde jsou instalovány zdroje tepla.



Pro utěsnění materiálů způsobujících zápach v režimu cirkulujícího vzduchu byste měli nainstalovat filtr s aktivním uhlím. Poradte se s autorizovaným prodejcem, abyste zjistili různé možnosti provozu spotřebiče v režimu cirkulace vzduchu. Příslušenství potřebné pro tento postup můžete zakoupit na příslušných prodejních místech, u autorizovaných servisních agentů nebo online.

4 Čištění a údržba

UPOZORNĚNÍ

Nebezpečí poškození v důsledku poškození korozí. Spotřebič používejte vždy při vaření, aby se zabránilo tvorbě kondenzátu. Kondenzát může způsobit poškození korozí. Vadné žárovky ihned vyměňte, abyste zabránili přetížení dalších žárovek. Nebezpečí poškození v důsledku pronikání vlhkosti do elektroniky. Regulátory nikdy nečistěte mokrým hadříkem. Při nesprávném čištění může dojít k poškození povrchu. Povrchy z nerezové ocele čistěte pouze ve směru kartáčování. Pro regulátory nepoužívejte čistič na nerezovou ocel. Povrch může být poškozen abrazivními nebo třecími čisticími prostředky. Nikdy nepoužívejte abrazivní čisticí prostředky. Nebezpečí poškození v důsledku zpětného proudění kondenzátu. Nainstalujte vývod vzduchu se sklonem 1°, směrem dolů od spotřebiče.



Zakoupený spotřebič je vhodný pro použití s uhlíkovým filtrem. Připojení uhlíkového filtru;

1- Vložte uhlíkový filtr do jeho krytu. Obr. 15/1

2- Otočte uhlíkový filtr ve směru hodinových ručiček, abyste se ujistili, že je pevně zasunutý. Obr. 15/2



Res.13



Res.14



Res.15



Pokud není uhlíkový filtr správně připojen, může dojít k jeho pádu a poškození spotřebiče.

- Pro řídicí jednotky nepoužívejte čisticí prostředek na nerezové ocele ani mokré hadry. Čištění kovových olejových filtrů Použité kovové olejové filtry zadržují vlhkost vytvářenou v kuchyni a olejové částice obsažené v páře. V případě pravidelného používání (1 až 2 hodiny denně) vyčistěte kovové olejové filtry přibližně jednou za 3 měsíce.
- Nepoužívejte příliš účinné, okyselené nebo korozivní čisticí prostředky.
- Pro čištění kovových olejových filtrů použijte vlhký hadřík k čištění přídržných částí kovových olejových filtrů uvnitř spotřebiče.
- Kovové olejové filtry můžete mýt v myčce nebo ručně.
- Neaplikujte čisticí prostředky ve spreji přímo na spotřebič.
- Nepokládejte na spotřebič hořlavé a/nebo těžké dekorativní předměty.

4.1 Mytí v myčce na nádobí

- V případě mytí v myčce může dojít k mírnému zabarvení. To nemá vliv na funkci kovového olejového filtru.
- Vysoce znečištěné kovové olejové filtry neumývejte spolu s nádobím.
- Kovové olejové filtry umístěte volně do myčky. Kovové olejové filtry musí být vloženy do myčky tak, aby nebyly zaseknuté.

4.2 Ruční mytí

- Pro odolné nečistoty můžete použít speciální prostředek na rozpouštění oleje. Tento prostředek je k dostání v autorizovaném prodejním centru.
- Kovový olejový filtr odmočte v horké vodě s mycím prostředkem.
- K čištění použijte kartáč a počkejte, až se kapalina na kovovém olejovém filtru dobře vyčistí. Po vyčištění filtry dobře opláchněte.
- Technické specifikace a tento návod mohou být změněny bez předchozího upozornění.

4 Čištění a údržba

- Tento spotřebič je v souladu s Nařízením o do-
zoru nad elektrickým a elektronickým odpadem.
- Tato digestoř je určena k použití nad var-
nou deskou. Ujistěte se, že stěna unese váhu
digestoře. Náklady za rozbití, řezání a podobné
postupy prováděné na stěně nebo skříni během
instalace musí hradit spotřebitel. Digestoř
může být použita se systémem kouřovodu,
který vypouští vzduch, nebo bez kouřovodu
(připojením uhlíkového filtru). Věnujte pozor-
nost situacím, se kterými se můžete setkat před
nebo během instalace. Instalaci musí provést
autorizovaný servis. Montáž musí provádět
autorizovaný odborník, který má znalosti o
ventilaci. Životnost spotřebiče identifikovaná
ministerstvem průmyslu (doba dostupnosti
náhradních dílů potřebných pro výkon funkcí
spotřebiče) je 10 (deset) let.
- Spotřebič musí být uchováván v původním obalu,
aby nedošlo k jeho poškození při manipulaci a
přepravě.
- Během manipulace udržujte spotřebič v
normální poloze.
- Spotřebič nenechávejte spadnout a chraňte
jej před poškozením během přepravy. Záruka
se nevztahuje na vady a škody vzniklé během
přepravy po dodání spotřebiče zákazníkovi.

Najskôr si prečítajte túto používateľskú príručku!

Vážený zákazník,

ďakujeme vám, že ste si vybrali tento spotrebič značky Beko. Dúfame, že s týmto spotrebičom, ktorý bol vyrobený vo vysokej kvalite a s najmodernejšími technológiami, dosiahnete tie najlepšie výsledky. Z tohto dôvodu si pred použitím spotrebiča pozorne prečítajte celú túto používateľskú príručku a všetky ostatné sprievodné dokumenty a uschovajte ich pre prípad potreby do budúcnosti. Ak dáte spotrebič niekomu inému, dajte mu tiež používateľskú príručku. Postupujte podľa pokynov a venujte pozornosť všetkým informáciám a varovaniam v používateľskej príručke.

Pamätajte, že táto používateľská príručka sa môže vzťahovať aj na iné modely. Rozdiely medzi modelmi budú v príručke výslovne popísané.

Význam symbolov

V rôznych častiach tejto používateľskej príručky sú použité nasledujúce symboly:



Dôležité informácie o užitočných tipoch na použitie.



VAROVANIE: Upozornenie na nebezpečné situácie týkajúce sa ohrozenia života a majetku.



Upozornenia na nebezpečenstvo požiaru.



Varovanie pred zásahom elektrickým prúdom.



Tento spotrebič bol vyrobený v modernom závode šetrnom voči životnému prostrediu bez škodlivého dopadu na prírodu.

1. Dôležité bezpečnostné pokyny a pokyny týkajúce sa životného prostredia

1.1. Všeobecná bezpečnosť

- Tento spotrebič môžu obsluhovať deti od 8 rokov a osoby, ktoré majú dostatočné fyzické, zmyslové a psychické schopnosti a majú potrebné skúsenosti a poznatky, za podmienky, že sú pod dozorom alebo boli informované o bezpečnom používaní spotrebiča a súvisiacich rizikách.
- Deti sa nesmú hrať so spotrebičom ani do neho zasahovať. Čistenie a údržba nesmú byť vykonávané deťmi, ak na ne nedohliadajú staršie osoby.
- Tento spotrebič je určený na použitie v domácnosti.
- Prevádzkové napätie tohto produktu je 220 - 240 V ~ 50 - 60 Hz.
- Uzemnená zástrčka je pripojená k napájaciemu káblu spotrebiča. Tento kábel by mal byť pripájaný do uzemnenej zásuvky.
- Elektrická inštalácia by mala byť vykonaná kvalifikovaným elektrikárom.
- Inštalácia vykonaná neautorizovanou osobou môže mať za následok slabý prevádzkový výkon, poškodenie spotrebiča a nehody.
- Pri inštalácii je potrebné predísť zaseknutiu alebo zlomeniu napájacieho kábla. Napájací kábel by nemal byť umiestnený v blízkosti varnej dosky. V takýchto prípadoch by sa kábel mohol roztopiť a spôsobiť požiar.
- Produkt nepripájajte pred jeho inštaláciou.
- Zabezpečte, aby zástrčka bola pripojená na mieste, kde je k nej ľahký prístup, aby ju bolo možné v prípade nebezpečenstva odpojiť od siete.
- Nedotýkajte sa lúčov, ak boli v prevádzke po dlhý čas. Keďže sú horúce, mohli by ste si popáliť ruky.
- Kuchynské odsávacie digestory sú určené pre bežné varenie a domáce použitie. V prípade použitia na iné účely by sa výrobok mohol pokaziť a záruka by bola neplatná.
- Dodržiavajte predpisy vydané kompetentnými úradmi týkajúce sa vypúšťania odsávaného vzduchu (toto neplatí pre použitie bez dymovodu).
- Horľavé potraviny by pod digestorom nemali byť tepelne upravované.
- Váš spotrebič spustíte len vtedy,

1. Dôležité bezpečnostné pokyny a pokyny týkajúce sa životného prostredia

ak je na varnej doske hrniec, panvica atď. V opačnom prípade môže teplo spôsobiť deformáciu niektorých častí vášho spotrebiča.

- Varnú dosku vypnite pred tým ako z nej zložíte hrniec, panvicu a pod.
- Na varnej doske nenechávajte horúci olej. Panvice s horúcim olejom môžu zapríčiniť samovznietenie.
- Dávajte pozor na závesy a prikryvky, keďže olej by mohol vzbĺknuť pri tepelnej úprave, ako je smaženie.
- Uistite sa, že filtre boli vymenené načas. Kvôli usádzaniu oleja na filtroch, ktoré neboli včas vymenené, vzniká riziko požiaru.
- Filtre nenahrádzajte materiálmi, ktoré nie sú ohňovzdorné.
- Spotrebič nespúšťajte bez filtra a filter nevyberajte počas prevádzky.
- V prípade požiaru odpojte digestor a iné spotrebiče určené na varenie od siete. (Spotrebič odpojte alebo vypnite hlavný vypínač.)
- Ak sa dôkladne nevykonáva pravidelné čistenie, vzniká riziko požiaru.
- Pred vykonaním údržby odpojte spotrebič od siete. (Spotrebič

odpojte alebo vypnite hlavný vypínač.)

- Negatívny tlak prostredia by nemal presiahnuť 4 Pa (4 x 10 bar), pokiaľ digestor pre elektrickú varnú dosku a spotrebiče fungujúce na inom type energie, ako je elektrická, sú v prevádzke súčasne.
- V prostredí, kde je tento spotrebič používaný, musia byť výfuky zariadení fungujúcich na palivách, ako je olej alebo plyn, napr. izbové vykurovacie telesá, úplne oddelené alebo tieto zariadenia musia byť hermetického typu.
- Pri montáži dymovodu použite potrubie s priemerom 120 mm alebo 150 mm. Potrubné pripojenie musí byť čo najkratšie a mať čo najmenej kolien.
- Deti sa nesmú hrať so spotrebičom ani do neho zasahovať.
- Z bezpečnostných dôvodov použite pri montáži digestora poistku „MAX 6 A“.
- Obalové materiály uchovajte mimo dosahu detí, keďže by pre ne mohli predstavovať riziko.
- Ak je napájací kábel poškodený, musí ho vymeniť výrobca, jeho servisný pracovník alebo iná náležite kvalifikovaná osoba, aby

1. Dôležité bezpečnostné pokyny a pokyny týkajúce sa životného prostredia


sa predišlo riziku.

- V prípade požiaru odpojte digestor a varnú dosku od siete a zakryte plamene. Na hasenie ohňa nikdy nepoužívajte vodu.
- Dostupné časti zariadení určených na varenie môžu byť počas ich prevádzky horúce.
- Tento spotrebič nie je určený na používanie osobami (vrátane detí) so zníženými fyzickými, zmyslovými alebo duševnými schopnosťami alebo osobami s nedostatkom skúseností a znalostí, kým nie sú pod dozorom osoby, zodpovednej za ich bezpečnosť, alebo kým od takejto osoby nedostanú pokyny týkajúce sa používania spotrebiča.
- Po ukončení montáže digestora pre elektrické varné dosky by mala byť jeho vzdialenosť od danej varnej dosky minimálne 65 cm.
- Výfuk digestora nesmie byť napojený na vzduchové potrubia, ktoré odvádzajú iný dym.
- Opatrnosť je potrebná, ak je tento spotrebič používaný so zariadeniami, ktoré používajú vzduch a palivo (napr. vykurovacie telesá, ohrievače vody, ktoré spotrebúvajú plyn, naftové palivo, uhlie, drevo) v jednom priestore.

Toto by mohlo negatívne ovplyvniť horenie, keďže digestor vypúšťa vzduch do tohto priestoru.

- Toto upozornenie sa nevťahuje na použitie bez dymovodu.
- Vetranie miestnosti môže byť nedostatočné, ak sa digestor pre elektrické varné dosky používa súčasne so zariadeniami využívajúcimi plyn alebo iné palivá (toto sa nevťahuje na zariadenia, ktoré vypúšťajú vzduch späť do tej istej miestnosti).

1.1. Súlad so smernicou o OEEZ a likvidácia vyradeného produktu

 Tento produkt neobsahuje škodlivé ani zakázané materiály špecifikované v „Smernici o odpade z elektrických a elektronických zariadení“, vydané ministerstvom životného prostredia a urbanizácie. Tento spotrebič zodpovedá smernici WEEE. Tento produkt bol vyrobený z kvalitných súčiastok a materiálov, ktoré je možné opakovane použiť a recyklovať. Preto produkt na konci životnosti nelikvidujte spolu s bežným komunálnym odpadom. Odneste ho na zberné miesto na recykláciu

1. Dôležité bezpečnostné pokyny a pokyny týkajúce sa životného prostredia

elektrických a elektronických zariadení. O zberných miestach sa informujte u vašich miestnych úradov. Recykláciou produktov prispievate k ochrane životného prostredia a prírodných zdrojov.

1.2. Balenie spotrebiča



Balenie tohto spotrebiča je vyrobené z recyklovateľných materiálov.

Zabezpečte, aby obalové materiály boli zlikvidované v súlade s platnými miestnymi predpismi, aby takto boli zahrnuté do procesu recyklácie pre ochranu životného prostredia.

1.3. Ohrozenie života

Riziko otrávenia



Obr. 1: Riziko otrávenia



Obr. 2: Riziko otrávenia



NEBEZPEČENSTVO! Varovanie - riziko udusenja.

Obalové materiály sú pre deti nebezpečné. Nedovoľte deťom hrať sa s obalovými materiálmi.



NEBEZPEČENSTVO! Varovanie - nebezpečenstvo smrti.

Ohrozenie života otrávením z dôvodu opätovnej absorpcie spaľovaných plynov. Pri použití s výfukom vzduchu nepoužívajte spotrebič súčasne s objektmi, ktoré vyfukujú jedovaté plyny ako sporáky s cirkuláciou vzduchu, ktoré fungujú na základe plynu, oleja, dreva, uhlia, vaňové ohrievače, ohrievače vody atď., kým nie je zabezpečený dostatočný prísuv vzduchu. Obr. 3

Objekty s cirkuláciou vzduchu (napr. sporáky spaľujúce plyn, olej, drevo alebo uhlie, vaňové ohrievače, ohrievače vody) získavajú vzduch z miesta inštalácie a vypúšťajú odpadový plyn prostredníctvom systému odpadového plynu (napr. dymovodom). Tento vzduch môže byť spotrebičom absorbovaný z kuchyne alebo zo susediacich miestností. Ak nie je dostatočný prísuv vzduchu, vzniká podtlak. V takomto prípade sú jedovaté plyny späťne absorbované z dymovodov a odpadových plynových potrubí a vracajú sa späť do domácnosti. Obr. 1

Z tohto dôvodu by vždy mal byť zabezpečený dostatočný prísuv čistého vzduchu. Obr. 2

1. Dôležité bezpečnostné pokyny a pokyny týkajúce sa životného prostredia

VAROVANIE! **Nebezpečenstvo požiaru!**

Olejová usadenina na filtri sa môže vznietiť. Olejový filter vyčistite aspoň raz za tri mesiace. Neprevádzkujte spotrebič bez olejového filtra.

Olejová usadenina na filtri sa môže vznietiť. V blízkosti spotrebiča nikdy nepracujte s otvoreným ohňom (napr. flambovanie). Inštalovať spotrebič v blízkosti zariadení, ktoré sú ohrievané pevným palivom (napr. drevo alebo uhlie) je povolené len v prípade, že sú vybavené uzavretým krytom, ktorý sa nedá odstrániť. Nemali by vznikáť žiadne iskry.

Horúce rastlinné oleje a tuky sa ľahko vznietia. Vždy dávajte pozor na horúce zeleninové oleje a tuky. Nepokúšajte sa oheň uhasiť vodou.

Vypnite varnú dosku. Opatrne prikryte plameň pokrievkou, ohňovzdornou dekou alebo podobným predmetom.



Plynové varné dosky, na ktorých sa nenachádza žiadny kuchynský riad, produkujú počas prevádzky vysoké teplo. Vetracie zariadenie umiestnené na varnej doske môže byť kvôli tomu poškodené alebo zhorieť. Plynové variče spúšťajte len vtedy, keď sa na nich nachádza kuchynský riad.

Použitie viac ako jedného plynového horáku súčasne produkuje veľmi vysoké teplo. Vetracie zariadenie umiestnené na varnej doske môže byť kvôli tomu poškodené alebo zhorieť. Nepoužívajte dva plynové horáky pri nastavení na silný plameň po dobu viac ako 15 minút. Výkon horáku nad 5 kW (wok) sa rovná dvom plynovým horákom.

1. Dôležité bezpečnostné pokyny a pokyny týkajúce sa životného prostredia

VAROVANIE!

Nebezpečenstvo úrazu elektrickým prúdom!

Chybný spotrebič môže spôsobiť úraz elektrickým prúdom. Nepoužívajte chybný spotrebič. Odpojte ho alebo vyberte poistku zo skrinky poistky. Zavolajte na centrum služieb zákazníkom.

Opravy, ktoré nie sú v súlade s pokynmi, predstavujú hrozbu. Opravy a výmeny chybných elektrických káblov by mal vykonávať iba technik zákazníckeho servisu vyškolený našou spoločnosťou. Ak je spotrebič chybný, odpojte ho alebo vyberte poistku zo skrinky poistky. Zavolajte na centrum služieb zákazníkom.

Vniknutie vody do spotrebiča môže spôsobiť úraz elektrickým prúdom. Na čistenie sa nesmú používať vysokotlakové ani parné čističe.



NEBEZPEČENSTVO!

Riziko poranenia.

Pri montáži hrozí kvôli ostrým hranám riziko poranenia. Pri montáži spotrebiča vždy používajte ochranné rukavice.

Všetky bezpečnostné skrutky a kryty by mali byť nainštalované tak, ako je uvedené v používateľskej príručke, aby sa vyhlizlo riziko spadnutia spotrebiča.

Predmety umiestnené na spotrebiči by mohli spadnúť. Na spotrebič nekladte žiadne predmety.

LED svetlo spotrebiča je príliš jasné a môže spôsobiť poškodenie zraku (skupina nebezpečnosti 1). Nepozerajte sa priamo do LED svetla po dobu viac ako 100 sekúnd.



VÝSTRAHA

Prístupné časti sa počas používania s vybavením na varenie môžu zahriať.



1. Dôležité bezpečnostné pokyny a pokyny týkajúce sa životného prostredia



V prípade opráv, ktoré neboli vykonané správne podľa pravidiel, odpojte poistku alebo odpojte spotrebič od siete. Opravy môžu byť vykonané len autorizovaným servisom alebo autorizovanou zručnou osobou.

V prípade opráv, ktoré neboli vykonané správne podľa pravidiel, odpojte poistku alebo odpojte spotrebič od siete. Opravy môžu byť vykonané len autorizovaným servisom alebo autorizovanou kvalifikovanou osobou.



NEBEZPEČENSTVO! **Hrozí riziko popálenia** **alebo zásahu** **elektrickým prúdom!**

Počkajte, kým sa spotrebič ochladí, predtým než budete vykonávať čistenie alebo údržbu. Vyradte poistku alebo odpojte spotrebič od siete.

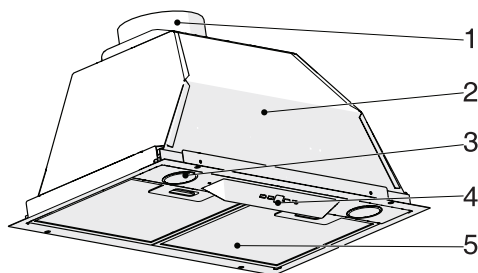
Pri vniknutí vlhkosti do elektroniky hrozí riziko poškodenia. Ovládače nikdy nečistite vlhkou látkou.

Povrch by sa mohol nevhodným čistením poškodiť. Povrchy z nehrdzavejúcej ocele čistite len v smere kefovania. Čistič na nehrdzavejúcu oceľ nepoužívajte na čistenie ovládačov.

Abrazívne a zrnité čistiace prostriedky môžu poškodiť povrch. Nikdy nepoužívajte abrazívne ani zrnité čistiace prostriedky.

2. Celkový vzhľad

2.1. Prehľad



1. Výfukový dymovod vzduchu
2. Telo
3. Osvetlenie
4. Ovládací panel
5. Hliníkový olejový filter

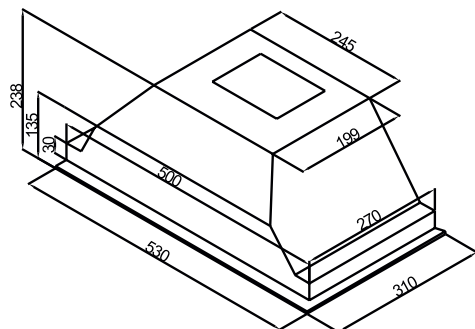
2.2. Technické údaje

CE Tento spotrebič zodpovedá nariadeniu EU 2014/30/EU (Smernica o elektromagnetickej kompatibilite) a 2014/35/EU (o zariadeniach používaných v rámci určitých limitov napätia (LVD))

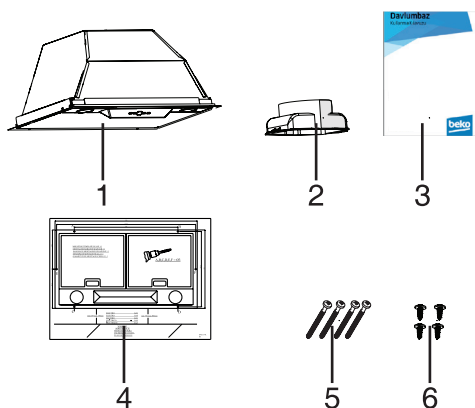
Napájacie napätie	220 - 240 V 50 Hz.
Výkon lampy (W)	2 x 3 W
Výkon motora (W)	1 x 125 W
Izolačná trieda motora	F
Izolačná trieda	TRIEDA I

Technické zmeny a zmeny vzhľadu sú vyhradené. Rozmery v technických náčrsoch sú uvádzané v mm. Tento obrázok slúži iba na informáciu o súčiastiach spotrebiča. Jednotlivé časti sa môžu líšiť podľa typu spotrebiča. Obrázky majú len reprezentatívny charakter.

2.3. Technický náčres



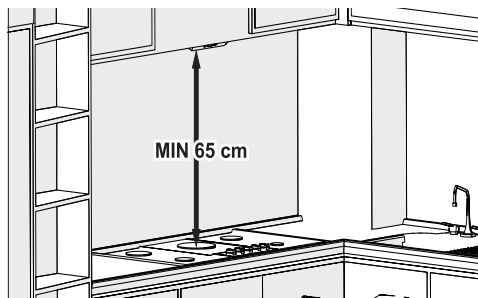
2.4. Obsah balenia



1. Digestor
2. Ø120 mm plastový dymovod
3. Používateľská príručka
4. Montážna šablóna
5. Skrutky 4x 4 x 40 (určené na inštaláciu digestora)
6. Skrutka 3,5 x 9,5 (určená na inštaláciu plastového dymovodu)

3. Inštalácia a používanie spotrebiča

3.1. Umiestnenie spotrebiča



- Pred inštaláciou venujte pozornosť vzdialenosti medzi varnou doskou a digestorom. Táto vzdialenosť by mala byť 65 cm.
- Meranie by malo byť vykonané od povrchu roštu na plynovom sporáku a od skleneného povrchu na elektrických doskách.



Váš nový spotrebič má vysokú energetickú účinnosť. Tu nájdete niekoľko návodov, ako pri používaní spotrebiča ušetriť ešte viac energie, a požadované postupy likvidácie spotrebiča správnym spôsobom.

3.2. Veci potrebné pre úsporu energie:

- Zabezpečte dostatočný prívod vzduchu, aby digester mohol fungovať účinne a pri nízkom prevádzkovom hluku počas varenia.
- Úroveň ventilátora nastavte podľa hustoty pary v kuchyni. Vysokú úroveň nastavte len vtedy, keď je to naozaj potrebné. Nižšie úrovne ventilátora znamenajú menšiu spotrebu energie.
- Ak sa v kuchyni očakáva viac pary, zvol'te vyššiu úroveň ventilátora už vopred. Odstránenie výparov, ktoré sú v kuchyni už prítomné si vyžaduje oveľa dlhší čas prevádzky.
- Digester vypnite, ak ho nepoužívate.

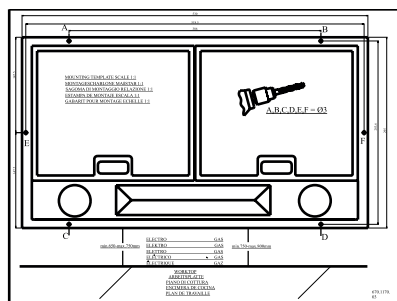
- Filtre čistite alebo vymieňajte v stanovených intervaloch. Takto zvýšite účinnosť ventilácie a znížite riziko požiaru.

3.3. Inštalácia spotrebiča



VÝSTRAHA

Pri vŕtaní a rezaní používajte ochranné rukavice a okuliare.

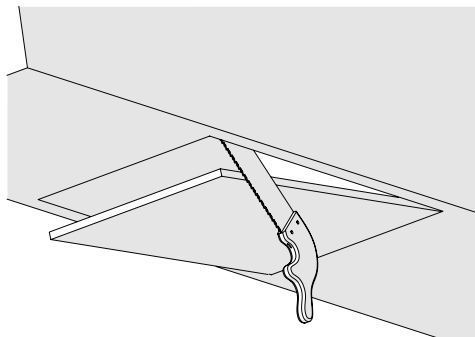


Obr. 6

Vŕtanie montážnych dier

- Na povrch, na ktorý chcete digester pripevniť, priložte šablónu dodanú so spotrebičom.
- Vyvŕtajte diery označené na šablóne A, B, C, D použitím vŕtáku $\varnothing 4$ mm. Obr. 6

Obr. 7

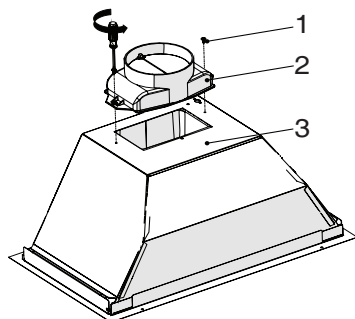


- Vyrežte spodnú plochu skrinky, do ktorej má byť

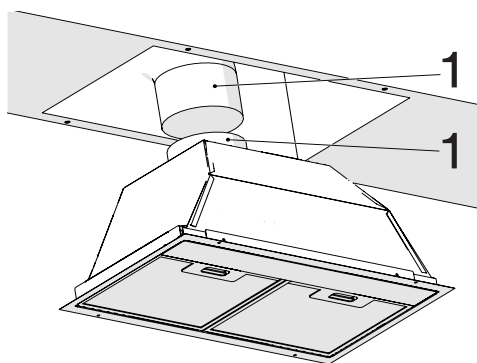
3. Inštalácia a používanie spotrebiča

digestor osadený podľa rozmerov uvedených v technickom nákrese (obr. 7).

Obr. 8



1. Skrutka 3,5 x 9,5.
 2. Plastový dymovod \varnothing 120 mm
 3. Obruč s kolíkmi
- Pripevnite plastový dymovod dodaný v balení k telu spotrebiča použitím 2 skrutiek 3,5 x 9,5. (Obr. 8) Nešúchajte po povrchu. Obr. 8



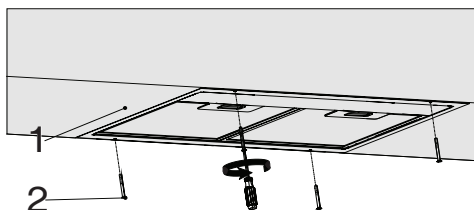
Obr. 9

1. Potrubie na odvádzanie vzduchu
 2. Výfukový dymovod digestora
- Pripevnite potrubie na odvádzanie vzduchu k výfukovému dymovodu pomocou spony (obr. 9).



VÝSTRAHA

Keďže ohyby a kolená hliníkového potrubia spôsobujú zníženie sacieho výkonu, treba sa v maximálnej miere vyhnúť ich použitiu.

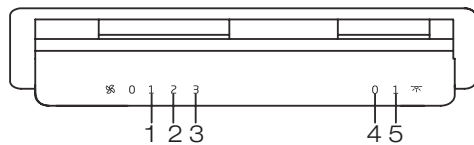


Obr. 10

1. Spodný pohľad na kuchynskú skrinku.
 2. Montážne skrutky digestora 4 x 40.
- Vložte digestor do kuchynskej skrinky a pripevnite ho do 4 montážnych dier, ktoré ste predtým vyvrtali (obr. 10).

3.4. Použitie spotrebiča

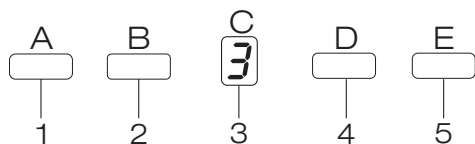
3.4.1. Použitie kyvného prepínača



- Prepnutím prepínača do polohy „0“ vypnete lampu.
- Prepnutím prepínača do polohy „1“ zapnete lampu.
- Prepnutím prepínača motora do polohy „0“ vypnete motor.
- Motor môžete používať na 1. minimálnom stupni rýchlosti a na 3. maximálnom stupni rýchlosti podľa hustoty pary z varenia.

3. Inštalácia a používanie spotrebiča

3.4.2. Použitie digitálneho prepínača



A - tlačidlo 1. úrovne

B - tlačidlo 2. úrovne

C - digitálny displej

D - tlačidlo 3. úrovne

E - tlačidlo zapnutia/vypnutia lampy

Tlačidlo (A): Stlačením tohto tlačidla bude digestor fungovať na 1. stupni rýchlosti. (zobrazí sa na displeji). Displej a digestor sa vypnú, keď stlačíte toto tlačidlo opätovne.

Tlačidlo (B): Stlačením tohto tlačidla bude digestor fungovať na 2. stupni rýchlosti (zobrazí sa na displeji). Displej a digestor sa vypnú, keď stlačíte toto tlačidlo opätovne.

Tlačidlo (E): Stlačením tohto tlačidla bude digestor fungovať na 3. stupni rýchlosti (zobrazí sa na displeji). Displej a digestor sa vypnú, keď stlačíte toto tlačidlo opätovne.

(C) - digitálny displej; Zobrazuje zvolenú rýchlosť a symboly upozornení.

(D) - tlačidlo zapnutia/vypnutia lampy; Oblasť varenia môžete osvetliť stlačením tohto tlačidla.

Intervaly čistenia kovových filtrov: Filtre by sa mali čistiť, keď sa na displeji zobrazí symbol „C“ (každých 60 hodín) alebo každé štyri týždne (podľa používania). Po vyčistení a nasadení filtrov stlačte a na 3 sekundy podržte tlačidlo A (pri vypnutom spotrebiči na zmazanie symbolu „C“). Na displeji sa zobrazí písmeno E a prepne sa do normálnej prevádzky. Ak chcete spotrebič používať bez zmazania symbolu „C“, aktuálna rýchlosť sa zobrazí na 1 sekundu po stlačení tlačidla ktoréhokoľvek stupňa a motor bude ďalej bežať na zvolenom stupni aj po zobrazení symbolu „C“.

Automatické zastavenie - 15 min.: Spotrebič je vybavený funkciou automatického zastavenia, aby sa eliminovali zápachy odsatím pary po skončení varenia a aby sa spotrebič automaticky vypol po dodatočnom odvetraní prostredia.

Funkciu automatického zastavenia aktivujete stlačením toho istého tlačidla (A, B, D), podľa aktuálneho stupňa rýchlosti, na 3 sekundy. Po uplynutí doby 15 minút sa zastavia všetky prevádzkové funkcie vášho spotrebiča.

Funkciu automatického zastavenia deaktivujete a motor spotrebiča vypnete stlačením toho istého tlačidla príslušného stupňa rýchlosti počas zapnutej funkcie automatického zastavenia. Táto funkcia sa deaktivuje aj pri prepnutí na iný stupeň rýchlosti. Ak chcete, aby sa spotrebič vypol automaticky, musíte znovu aktivovať funkciu automatického zastavenia.

3. Inštalácia a používanie spotrebiča

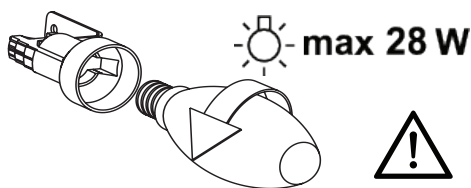
3.5. Výmena lampy

3.5.1. Výmena žiarovky



VAROVANIE

Odpojte digestor od elektrickej siete. Lampy môžu spôsobiť popálenie rúk. Počkajte, kým ochladnú.



Obr. 11: Výmena žiarovky

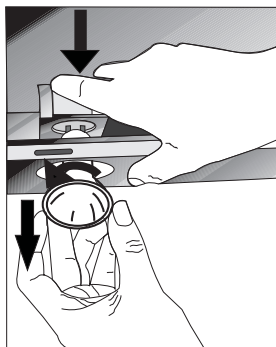
- Odstráňte hliníkový kryt vložky. Vyberte nefunkčnú žiarovku a nahraďte ju novou s rovnakými hodnotami. Obr. 11

3.5.2. Výmena halogénovej lampy.

 max 50 W



IEC



Obr. 12: Výmena halogénovej lampy.

- Pre výmenu halogénovej lampy stlačte smerom dolu zadnú časť držiaka lampy, potiahnite lampu smerom nadol, mierne otočte proti smeru hodinových ručičiek a potiahnite smerom nadol. Obr. 12



VAROVANIE

Používajte len volfrámové halogénové lampy s vlastnou ochranou alebo kovové halogenidové lampy s vlastnou ochranou.



POZNÁMKA:

Ak sa spotrebič pokazí alebo poškodí, vyrad'te poistku alebo odpojte spotrebič od siete a zavolajte zástupcu autorizovaného servisu.



POZNÁMKA:

Ak je napájací kábel poškodený, musí ho vymeniť výrobca, jeho servisný pracovník alebo iná náležite kvalifikovaná osoba, aby sa predišlo riziku.



POZNÁMKA:

Vyrad'te poistku alebo odpojte spotrebič od siete aj v prípade prasknutia lampy. Chybné lampy vymeňte ihneď, aby ste predišli preťaženiu iných lámip (najprv počkajte, kým lampy ochladnú).

4. Čistenie a údržba



V prípade opráv, ktoré neboli vykonané správne podľa pravidiel, odpojte poistku alebo odpojte spotrebič od siete. Opravy môžu byť vykonané len autorizovaným servisom alebo autorizovanou zručnou osobou.

V prípade opráv, ktoré neboli vykonané správne podľa pravidiel, odpojte poistku alebo odpojte spotrebič od siete. Opravy môžu byť vykonané len autorizovaným servisom alebo autorizovanou kvalifikovanou osobou.

NEBEZPEČENSTVO! **Hrozí riziko popálenia alebo zásahu elektrickým prúdom!**

Počkajte, kým sa spotrebič ochladí, predtým než budete vykonávať čistenie alebo údržbu. Vyradte poistku alebo odpojte spotrebič od siete.



Pri vniknutí vlhkosti do elektroniky hrozí riziko poškodenia. Ovládače nikdy nečistite vlhkou látkou.

Povrch by sa mohol nevhodným čistením poškodiť. Povrchy z nehrdzavejúcej ocele čistite len v smere kefovania. Čistič na nehrdzavejúcu oceľ nepoužívajte na čistenie ovládačov.

Abrázívne a zrnité čistiace prostriedky môžu poškodiť povrch. Nikdy nepoužívajte abrazívne ani zrnité čistiace prostriedky.



VÝSTRAHA

Riziko poškodenia z dôvodu korózie. Spotrebič používajte vždy počas varenia, aby ste predišli tvorbe kondenzácie. Kondenzácia môže spôsobiť poškodenie koróziou. Chybné lampy vymeňte ihneď, aby ste predišli preťaženiu iných lúčov. Pri vniknutí vlhkosti do elektroniky hrozí riziko poškodenia. Ovládače nikdy nečistite vlhkou látkou. Povrch by sa mohol nevhodným čistením poškodiť. Povrchy z nehrdzavejúcej ocele čistite len v smere kefovania. Čistič na nehrdzavejúcu oceľ nepoužívajte na čistenie ovládačov. Abrázívne a zrnité čistiace prostriedky môžu poškodiť povrch. Nikdy nepoužívajte abrazívne ani zrnité čistiace prostriedky. Hrozí riziko poškodenia z dôvodu spätného prúdenia kondenzátov. Potrubie výpustu vzduchu nainštalujte so sklonom 1° mierne smerom dolu spotrebičom.



VÝSTRAHA

Tento spotrebič môžete používať v režime odpadového vzduchu a v režime cirkulácie vzduchu.



Režim odpadového vzduchu

Absorbovaný vzduch je čistený cez olejové filtre a vypustený systémom potrubí. (Obr. 3). Ak chcete nasmerovať odpadový vzduch do uzavretého dymového alebo plynového dymovodu, potrebujete získať povolenie autorizovaným odborníkom pre daný dymovod. Ak je odpadový vzduch odvádzaný cez obvodovú stenu mal by byť na to použitý teleskopický stenový rám.

4. Čistenie a údržba



Absorbovaný olej je čistený cez olejové filtre a cez aktívny uhlíkový filter a odvedený späť do kuchyne. Obr. 4



VÝSTRAHA

Uhlíkové filtre nikdy neumývajte. Uhlíkové filtre uchovávajte mimo dosahu detí.



POZNÁMKA!

Odpadový vzduch by nemal byť odvádzaný do dymového alebo plynového dymovodu ani do dymovodu používaného na vetranie priestorov, v ktorých sa nachádzajú zdroje tepla.



VÝSTRAHA

Deti bez dozoru nesmú vykonávať čistenie ani používateľskú údržbu.



Pre elimináciu materiálov spôsobujúcich zápachy v režime cirkulácie vzduchu by ste mali mať nainštalovaný aktívny uhlíkový filter. O rôznych možnostiach použitia spotrebiča v režime cirkulácie vzduchu sa poraďte s autorizovaným dodávateľom. Potrebné príslušenstvo si môžete zakúpiť na predajných miestach, u zástupcov autorizovaného servisu alebo na online predajných centrách.

Spotrebič, ktorý ste si kúpili je vhodný na použitie s uhlíkovým filtrom. Pri montáži uhlíkového filtra:

1. Umiestnite uhlíkový filter do krytu. Obr. 15/1
2. Otočte uhlíkový filter v smere hodinových ručičiek, aby ste zabezpečili jeho pevné uchytenie. Obr. 15/2



Res.13



Res.14



Res.15



Ak uhlíkový filter nie je správne uchytený, môže vypadnúť a poškodiť spotrebič.

- Abrázívne a zrnité čistiace prostriedky môžu poškodiť povrch. Nikdy nepoužívajte abrazívne a zrnité čistiace prostriedky. Čistiace a ochranné prostriedky vhodné pre váš spotrebič si môžete zabezpečiť od vášho autorizovaného servisu. Povrch spotrebiča a ovládače sú citlivé na poškrabanie.
- Tieto povrchy čistite vlhkou látkou s tekutým saponátom na riad alebo jemným čističom na sklo. Zasušenú a lepkavú nečistotu zmäčkíte vlhkou látkou. Nezoškrabujte!
- Suché látky, spongie, ktoré by mohli spôsobiť poškrabanie, materiály vyžadujúce trenie, piesok alebo iné účinné čistiace prostriedky obsahujúce minerálnu vodu, kyseliny alebo chlorydy nie sú vhodné.
- Povrchy z nehrdzavejúcej ocele čistite len v smere brúsenia.
- Čistiace prostriedky na nehrdzavejúcu oceľ a vlhké látky nepoužívajte na čistenie ovládacích jednotiek. Čistenie kovových olejových filtrov Použitie kovové olejové filtre zadržiavajú vlhkosť produkovanú v kuchyni a olejové čiastočky obsiahnuté v pare. V prípade pravidelného používania (1 - 2 hodiny denne) čistite kovové olejové filtre približne raz za 3 mesiace.
- Nepoužívajte vysoko účinné, kyselinové alebo korozívne čistiace prostriedky.
- Na čistenie kovových olejových filtrov vo vnútri spotrebiča použite vlhkú látku.
- Olejové filtre môžete čistiť ručne alebo v umývačke riadu.
- Nepoužívajte sprejové čistiace prostriedky priamo na spotrebič.
- Na spotrebič nekladte ťažké dekoratívne a/

4. Čistenie a údržba

alebo horľavé predmety.

4.1. Umývanie v umývačke riadu

- Pri umývaní v umývačke sa môže objaviť mierna zmena farebnosti. Toto nemá vplyv na funkčnosť kovových olejových filtrov.
- Silne znečistené olejové filtre neumývajte spolu s riadom.
- Kovové olejové filtre umiestnite v umývačke riadu voľne. Kovové olejové filtre by mali byť v umývačke umiestnené bez zaseknutia.

4.2. Ručné umývanie

- Na odolné nečistoty môžete použiť špeciálny prostriedok na čistenie od oleja. Tento prostriedok môžete získať od autorizovaného predajného centra.
- Nečistoty kovového olejového filtra zmäknú horúcou vodou s obsahom tekutého čistiaceho prostriedku na riad.
- Na čistenie použijete kefu a počkajte na dostatočný odtok tekutiny z kovového olejového filtra. Filter po čistení dôkladne opláchnite.
- Technické špecifikácie a táto používateľská príručka sa môžu zmeniť bez predchádzajúceho upozornenia.
- Tento spotrebič zodpovedá predpisom o odpade z elektrických a elektronických zariadení.
- Tento digestor je určený na použitie nad varnou doskou. Uistite sa, že predmetná stena dokáže uniesť hmotnosť digestora. Náklady na búranie, vyrezávanie a podobné postupy, ktoré by mohli byť potrebné vykonať na stene alebo skrinke pri inštalácii spotrebiča znáša zákazník. Tento digestor môže byť použitý so systémom potrubia, ktoré odvádza vzduch, alebo bez neho (s použitím uhlíkového filtra). Venujte pozornosť problémom, ktoré by sa mohli vyskytnúť pred inštaláciou alebo počas nej. Inštaláciu by mal vykonávať len zástupca autorizovaného servisu. Inštaláciu by mal vykonávať autorizovaný odborník, ktorý má poznatky z oblasti vetrania. Prevádzková životnosť spotrebiča určená Ministerstvom priemyslu (doba dostupnosti náhradných častí

potrebných pre funkčnosť tohto spotrebiča) je 10 (desať) rokov.

- Počas zaobchádzania so spotrebičom a pri jeho prevoze musí byť spotrebič uchovávaný v pôvodnom balení aby sa vyhol poškodeniu jeho súčastí.
- Počas zaobchádzania so spotrebičom ho udržiujte v normálnej polohe.
- Spotrebič nezhadzujte a počas prepravy ho chráňte pred poškodením. Záruka sa nevzťahuje na chyby a poškodenia spôsobené počas prepravy po doručení spotrebiča zákazníkovi.

Palun lugege esmalt kasutusjuhendit!

Hea klient!

Täname, et valisite Beko toote! Loodetavasti jääte selle nüüdisaegse tehnoloogia järgi valmistatud kvaliteetse toote tööga rahule. Selleks tutvuge enne toote kasutamist hoolikalt kasutusjuhendi ja kõigi kaasasolevate dokumentidega ja hoidke need alles. Kui annate toote üle uuele omanikule, pange kaasa ka kasutusjuhend. Järgige juhiseid, pöörates tähelepanu kasutusjuhendis toodud kogu teabele ja kõikidele hoiatustele.

Pidage meeles, et see kasutusjuhend võib kehtida ka teiste mudelite kohta. Mudelite vahelisi erinevusi on kasutusjuhendis selgelt kirjeldatud.

Sümbolite tähendused

Käesoleva juhendi erinevates jaotistes kasutatakse järgmisi tähiseid:



Oluline teave ja kasulikud nõuanded.



HOIATUS! Hoiatused elule ja varale ohtlike olukordade kohta.



Hoiatus tulekahju ohu kohta.



Hoiatus elektrilöögi kohta.



Toode on valmistatud keskkonnasõbralikes nüüdisaegsetes tehastes loodust kahjustamata.

1 Olulised ohutus - ja keskkonnaalased juhised

1.1 Üldine ohutus

- Lapsed (alates 8-aastastest) ja isikud, kellel on tavapärasest väiksemad füüsilised, sensoorised või vaimsed võimed ja kellel puuduvad piisavad kogemused ja teadmised, tohivad seadet kasutada nende ohutuse eest vastutava isiku järelevalve all või juhul, kui neid on juhendatud seadet ohutult kasutama ja nad mõistavad sellega kasutamisega kaasneva võimalikku ohtu.
- Lapsed ei tohi seadmega mängida. Lapsed ei tohi ilma vanemate järelevalveta seadet puhastada ega hooldustööd teha.
- Seade on ettenähtud kasutamiseks ainult kodumajapidamises.
- Seadme tööpinge on 220-240 V ~50 -60 Hz.
- Seadme toitejuhtmel on kaitsemaandatud pistik. Toitejuhtme pistik tuleb sisestada kaitsemaandatud pistikupessa.
- Elektriühendusi tohib teha ainult vastava väljaõppega elektrik.
- Vastasel juhul ei pruugi seade nõuetekohaselt töötada, võib saada kahjustada ning põhjustada õnnetusi.
- Jälgige, et toitejuhe ei jääks paigaldamise ajal millegi vahele kinni ja et seda ei surutaks kokku. Toitejuhet ei tohi paigutada pliidi lähedale. Vastasel juhul võib toitejuhe sulama hakata ja põhjustada tulekahju.
- Ärge ühendage pistikut pesa enne, kui seade on oma kohale paigaldatud.
- Jälgige, et pistikule oleks lihtne juurde pääseda, et hädaolukorras saaks selle kiiresti pesast välja tõmmata.
- Ärge puudutage lampe, kui need on pikemat aega põlenud. Võite saada põletada, sest lambid on kuumad.
- Köögiõhupuhastid on mõeldud kasutamiseks tavapärase kodumajapidamise tingimustes. Muul otstarbel kasutamisel võivad need katki minna ja sel juhul garantiid enam ei kehti.
- Järgige pädevate asutuste eeskirju õhu väljatõmbe kohta (see hoiatus ei kehti ilma lõõrita kasutamise korral).
- Ärge valmistage seadme all toitu, mis võib süttida.
- Lülitage seade tööle kohe pärast keedunõu, panni jms asetamist pliidile. Vastasel juhul võib kuumus seadme osi kahjustada, nii et need moonduvad.

1 Olulised ohutus - ja keskkonnaalased juhised

- Enne keedunõu, panni vms võtmist pliidilt lülitage seade välja.
- Ärge laske kuumal õlil pliidile minna. Kuuma õliga pannid võivad isesüttida.
- Pöörake tähelepanu kardinatele ja katetele, sest näiteks friikartulite valmistamisel võib õli põlema minna.
- Vahetage filtreid õigeaegselt. Filtrid võivad aja jooksul õliga saastuda ja põlema süttida.
- Ärge kasutage filtri sees materjale, mis ei ole tulekindlad.
- Ärge kasutage seadet ilma filtrita ja ärge eemaldage filtreid, kui seade töötab.
- Tulekahju korral eemaldage õhupuhasti ja pliit vooluvõrgust. (Tõmmake seadme pistik pesast välja või lülitage seade pealülitist välja).
- Kui seadet regulaarselt ei puhas-tata, võib tekkida tulekahju.
- Enne hooldustöid tõmmake seadme pistik pesast välja. (Tõmmake seadme pistik pesast välja või lülitage seade pealülitist välja).
- Negatiivne surve keskkonnas ei tohi ületada 4 Pa (4 x 10 baari), kui kasutate üheaegselt elektripliidi õhupuhastit ja seadmeid, millel on muu toiteallikas kui elekter.
- Seadme kasutuskeskkonnas peab õli- või gaasiseadmete väljatõmbeõhk olema täielikult isoleeritud või seade peab olema hermeetilist tüüpi.
- Kasutage lõõri ühendamiseks 120-150 mm läbimõõduga torusid. Toruühendus peab olema võimalikult lühike ning sellel peab olema minimaalselt torupõlvi.
- Lapsed ei tohi seadmega mängida.
- Ohutuse tagamiseks kasutage "MAX 6 A" kaitsset.
- Hoidke pakkematerjalid lastele kättesaamatult, sest need võivad olla lastele ohtlikud.
- Ohtude vältimiseks peab defektse toitejuhtme välja vahetama tootja, volitatud teenindus või samaväärse väljaõppega isik.
- Tulekahju korral tõmmake seadme pistik pesast välja, lülitage õhupuhasti ja pliit välja ja katke leegid. Ärge kunagi kasutage kustutamiseks vett.
- Töötavate seadmete juurdepääsetavad osad võivad minna kuumaks.
- Seade ei ole mõeldud kasutamiseks piiratud füüsiliste, sensorsete või vaimsete võimetega inimestele (kaasa arvatud lastele)

1 Olulised ohutus - ja keskkonnaalased juhised

või isikutele, kellel puuduvad selleks kogemused või teadmised, välja arvatud juhul, kui nende ohutuse eest vastutav isik seadme kasutamisel nende järele vaatab või neid juhendab.

- Seadme ja elektripliidi vahele peab pärast paigaldamist jääma vähemalt 65 cm.
- Õhupuhasti äratõmmet ei tohi ühendada õhukanalitega, milles liigub ka muud suitsu.
- Juhul, kui õhupuhastit kasutatakse koos seadmetega, mis kasutavad õhku ja kütust (nt kütteseadmed; veesoojendid, mida kasutatakse gaasi, diiselkütuse, söe või puuküttega), tuleb olla ettevaatlik. See võib põlemisele ebasoodsalt mõjuda, sest õhupuhasti tõmbab ruumis oleva õhu välja.
- See hoiatus ei kehti ilma lõõrita kasutamise korral.
- Tagage piisav ventilatsioon, kui elektripliidi õhupuhastit kasutatakse koos seadmetega, mis kasutavad õhku ja kütust (see ei kehti seadmete kohta, mis ainult õhku ruumi tagasi tõmbavad).

1.1 WEEE-direktiivi täitmine ja kasutuks muutunud seadmete kõrvaldamine



See toode ei sisalda kahjulikke ega keelatud aineid, mis on toodud Keskkonna ja linnaplaneerimisministeeriumi koostatud "Elektri- ja elektroonikajätmete seire eeskirjas". Seade vastab WEEE-eeskirjadele. See toode on valmistatud kvaliteetsetest materjalidest ning osadest, mida on võimalik ümber töödelda ning uuesti kasutada. Ärge visake kasutuskõlbmatuks muutunud seadet tavalise majapidamisprügi hulka. Kasutuselt kõrvaldatud seade tuleb viia vastavasse elektri- ja elektroonikaseadmete kogumispunkti. Teavet kogumispunktide kohta saate kohalikust omavalitsusest. Aidake säästa keskkonda ja loodusressursse, suunates kasutatud tooted taaskasutusse.

1.2 Seadme pakend



Seadme pakend on valmistatud übertöödeldavatest materjalidest. Kõrvaldage need materjalid kasutuselt vastavalt kehtivatele eeskirjadele, et kaitsta keskkonda ja suunata materjalid ümbertöötlemisse.

1 Olulised ohutus - ja keskkonnavalused juhised

1.3 Oht elule Mürgistusohht



Pilt. 1: Mürgistusohht



Pilt. 2: Mürgistusohht



OHT! **Hoiatus! Lämpumisoht!**

Pakkematerjalid on lastele ohtlikud. Ärge lubage lastel pakkematerjalidega mängida.



OHT! **Hoiatus! Eluohtlik!**

Hajutatud põlemisgaasid võivad põhjustada mürgistuse. Kasutamiseks koos õhu väljalaskeavaga ärge kasutage seadet samaaegselt seadmetega, mis väljutavad mürgiseid gaase (nagu õhuringlusega ahjud, mis töötavad gaasi, õli, puidu või kivisöega, vanniahjud, veesoojendid jms), välja arvatud juhul, kui on tagatud piisav õhuvool. Pilt 3

Õhuringlusega seadmed (nt seadmed, mida kasutatakse gaasi, õli, puidu või kivisöega, vanniahjud, veesoojendid) tõmbavad paigalduskohast õhku välja ja väljastavad heitgaase läbi heitgaasisüste-

emi (nt lõõr). Seade tõmbab kasutamise ajal õhku sisse köögist ja kõrvalruumidest. Kui õhku pole piisavalt, võib tekkida vaakum. Sel juhul tõmmatakse mürgised gaasid lõõrist ja heitgaasitorust tagasi teie kodumajapidamise ruumidesse. Pilt 1

Seetõttu tuleb alati tagada piisav puhta õhu juurdevool. Pilt 2

HOIATUS! **Tulekahju oht!**

Õlifiltrisse kogunenud õli võib süttida. Puhastage õlifiltrit vähemalt iga kolme kuu tagant. Ärge kasutage seadet ilma õlifiltrita.

Õlifiltrisse kogunenud õli võib süttida. Ärge kasutage seadme lähedal lahtist tuld (nt flambeerimine vms). Seadme tohib paigaldada ainult tahke küttega (nt puit või süsi) küttekeha lähedale, tingimusel, et sellel on olemas suletav kate, mida ei saa eemaldada. Küttekeha ei tohi põhjustada sädemete teket.

Köögiviljade praadimisel õlis või rasvas võib kergesti tekkida tulekahju. Sel juhul tuleb olla eriti tähelepanelik. Ärge proovige tulekahju veega kustutada.

Lülitage pliit välja. Katke leegid ettevaatlikult kaane, tulekustutusteki või sarnase esemega.



1 Olulised ohutus - ja keskkonnavalused juhised



Gaasipliidid, millel ei ole keedunõusid, lähevad töötamise ajal väga kuumaks. Seetõttu võib pliidi kohale paigaldatud ventilatsiooniseade saada kahjustada või põlema minna. Kasutage gaasipliiti ainult koos keedunõudega.

Üheaegselt rohkem kui ühe gaasipliidi kasutamise korral võib tekkida suur kuumus. Seetõttu võib pliidi kohale paigaldatud ventilatsiooniseade saada kahjustada või põlema minna. Ärge kasutage üheaegselt kaht gaasipliiti suurel leegiseadistusel kauem kui 15 minutit. Üle 5 kW võimsusega põleti (Wok) on võrdväärne kahe gaasita-semega põletiga.

HOIATUS! **Elektrilöögi** **oht!**

Rikkis seade võib põhjustada elektrilöögi. Ärge kasutage rikkis seadet. Tõmmake selle pistik pesast välja või lülitage kaitse kaitsmekapist välja. Helistage klienditeenindusse.

Juhiseid eirates tehtud remont on ohtlik. Seadet tohib remontida ja katkiseid elektrijuhtmeid tohib vahetada ainult meie ettevõtte klienditeeninduskeskuste tehnik. Tõmmake seadme pistik pesast välja või lülitage kaitse kaitsmekapist välja. Helistage klienditeenindusse.

Seadmesse sattuv vesi võib põhjustada elektrilöögi. Ärge kasutage kõrgsurve- või aurupuhastus-seadmeid.



OHT! **Vigastusoht!**

Paigaldamise ajal võivad teravad servad põhjustada vigastuse. Kasutage seadme paigaldamise ajal alati kaitsekindaid.

Kõik transpordipoldid ja turvakatted tuleb paigaldada vastavalt kasutusjuhendis toodud juhistele, et vältida seadme ümberkukkumist.

Seadmele asetatud esemed võivad alla kukkuda. Ärge asetage midagi seadme peale.

LED-tuli on väga ere ja võib kahjustada silmi (ohuklass 1). Ärge vaadake otse sisselülitatud LED-tule poole kauem kui 100 sekundit.



ETTEVAATUST!

Seadme juurdepääsetavad osad võivad pliidi kasutamise ajal kuumaks minna.



Kui seadme remontimisel ei ole järgitud kehtivaid juhiseid, lülitage kaitse välja või tõmmake seadme pistik pesast välja. Seadet tohib remontida ainult volitatud klienditeeninduses või volitatud edasimüüjate juures.

Kui seadme remontimisel ei ole järgitud kehtivaid juhiseid, lülitage kaitse välja või tõmmake seadme pistik pesast välja. Seadet tohib remontida ainult volitatud klienditeeninduses või volitatud edasimüüjate juures.

1 Olulised ohutus - ja keskkonnavalused juhised

OHT! Põletusohu! Elektrilöögi ohu!

Enne puhastamist ja hooldustööd laske seadmel jahtuda. Lülitage kaitse välja või tõmmake seadme pistik pesast välja.

Niiskuse sattumisel seadme elektroonilistesse komponentidesse võib seade saada kahjustada. Ärge puhastage juhtnuppe niiske lapiga!

Valest puhastamisest tulenev pinna kahjustamise oht. Puhastage roostevabast terasest pindu ainult harjamise suunas. Ärge kasutage roostevabast terasest pindade puhastamiseks mõeldud vahendit juhtnuppude puhastamiseks.

Abrasiivsed või kummist puhastusvahendid võivad pinda kahjustada. Ärge kunagi kasutage abrasiivseid või kummist puhastusvahendeid.



ETTEVAATUST!

Roostekahjustuse oht. Kondensatsioonivee tekkimise vältimiseks lülitage seade lahti enne toiduvalmistamist tööle. Kondensatsioonivesi võib põhjustada roostekahjustusi. Vahetage rikkis lambid kohe, et vältida ülejäänud lampide ülekuumenemist. Niiskuse sattumisel seadme elektroonilistesse komponentidesse võib seade saada kahjustada. Ärge puhastage juhtnuppe niiske lapiga! Valest puhastamisest tulenev pinna kahjustamise oht. Puhastage roostevabast terasest pindu ainult harjamise suunas. Ärge kasutage roostevabast terasest pindade puhastamiseks mõeldud vahendit juhtnuppude puhastamiseks. Abrasiivsed või kummist puhastusvahendid võivad pinda kahjustada. Ärge kunagi kasutage abrasiivseid või kummist puhastusvahendeid. Kondensatsioonivee tagasivool võib seadet kahjustada. Paigaldage õhu väljalaskelõõr 1° kallakuga, veeidi seadme poole kaldu.



ETTEVAATUST!

Seadet saab kasutada õhu väljatõmberežiimis ja õhuringlusrežiimis.



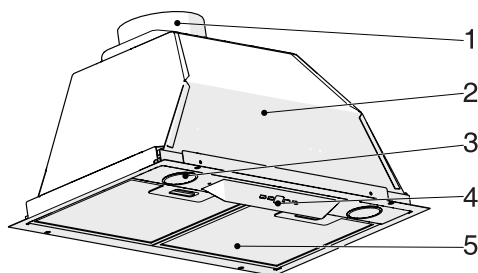
Õhu väljatõmberežiim

Seadmesse tõmmatud õhk puhastatakse õlifiltrites ja väljutatakse torude kaudu. (Pilt 3) Kui soovite, et heitõhk tõmmataks suitsu- või heitgaasi lõõri, peate selleks saama volitatud lõõripuhastusspetsialisti loa. Heitõhu suunamisel läbi välisseina tuleb kasutada teleskoopseinaseadet.



2 Üldist seadme kohta

2.1 Ülevaade



1. Õhu väljatõmbelõõr
2. Korpus
3. Pliidi valgustus
4. Juhtpaneel
5. Alumiiniumist õlifilter

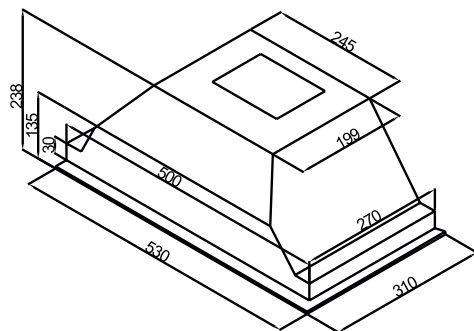
2.2 Tehnilised andmed

CE Seade vastab Euroopa CE-direktiividele 2014/30/EL (elektromagnetilise ühilduvuse direktiiv) ja 2014/35/EU (madalpinge direktiiv (LVD)).

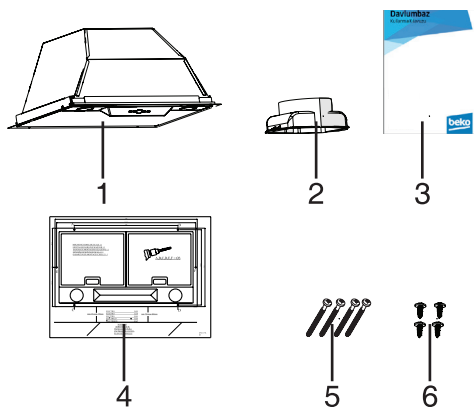
Toitepinge	220-240 V, 50 Hz
Lambi võimsus (W)	2 x 3 W
Mootori võimsus (W)	1 x 125 W
Mootori isolatsiooniklass	F
Isolatsiooniklass	KLASS I

Tootjal on õigus teha tehnilisi ja kujunduslikke muudatusi. Tehnilisel joonisel toodud mõõtmed on mm-tes. Pilt on ainult illustreeriv ja annab teada, millised osad seadmel on. Seadme osad võivad sõltuvalt mudelist erineda. Pildid on vaid illustreerivad.

2.3 Mõõtkavas tehniline joonis



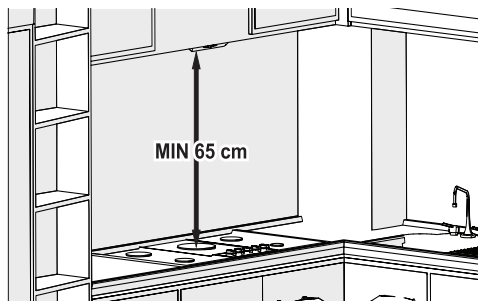
2.4 Pakendi sisu



1. Õhupuhasti
2. Ø120 mm plastilõõr
3. Kasutusjuhend
4. Paigalduskeem
5. 4x 4x40 kruvi (kasutatakse õhupuhasti paigaldamiseks)
6. 3,5 x 9,5 kruvi (kasutatakse plastilõõri paigaldamiseks)

3 Seadme paigaldamine ja kasutamine

3.1 Seadme paigutamine



- Enne paigaldamist tuleks tähelepanu pöörata pliidi ja õhupuhasti vahemaale. See peaks olema 65 cm.
- Mõõtmine tuleb teha gaaspliitide grillipinnalt ja elektripliitide klaaspinnalt.



Seade on eriti energiasäästlik. Siit leiame mõned nõuanded, kuidas seadme kasutamise ajal rohkem energiat säästa ja kuidas seadet nõuetekohaselt kasutuselt kõrvaldada.

3.2 Energia säästmine;

- Tagage piisav õhu sissevõtmine, et seade töötaks tulemuslikult ja vähese müraga.
- Seadistage ventilaatori tase vastavalt aurutihedusele köögis. Kasutage kõige kõrgemat taset ainult vajaduse korral. Madalama ventilaatoritase korral on energiakulu väiksem.
- Kui eeldatakse, et kööki tekib tihe suits, valige juba eelnevalt kõrgem ventilaatoritase. Köögis juba levinud suitsu eemaldamiseks on vaja õhupuhasti pikemaks ajaks tööle lülitada.
- Kui te seadet enam ei kasuta, siis lülitage see välja.
- Puhastage või vahetage filtrit kasutusjuhendis toodud vahemiku tagant, sest nii on ventilatsi-

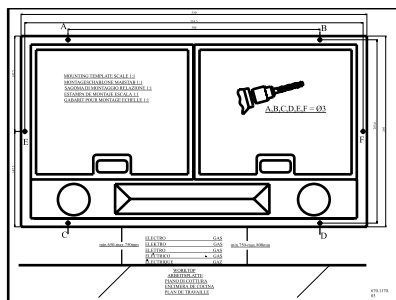
oon tulemuslikum ja tulekahju oht kõrvaldatud.

3.3 Seadme paigaldamine



ETTEVAATUST!

Kasutage aukude puurimise ja lõikamistööde ajal kaitsekindaid ja -prille.

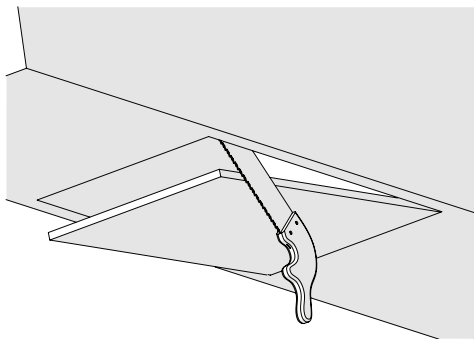


Pilt 6

Kinnitusavade puurimine

- Asetage seadmega kaasas olev paigaldusšabloon pinnale, kuhu kavatsete seadet paigaldada.
- Puurige paigaldusšablooni A, B, C ja D tähistuste juurde augud, kasutades selleks Ø4 mm puuriotsakut. Pilt 6

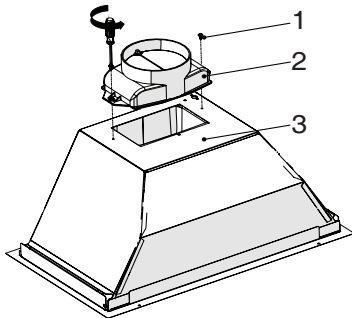
Pilt 7



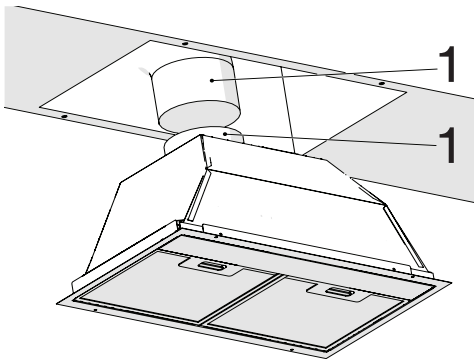
3 Seadme paigaldamine ja kasutamine

- Lõigake köögikapi alumine pind, kuhu õhupuhasti paigaldatakse, tehnilisel joonisel täpsustatud mõõtmetesse (pilt 7).

Pilt 8



1. 3,5 x 9,5 kruvi
 2. Ø 120 mm plastlõõr
 3. KorpusKlapp Varras Pesa
- Kinnitage pakendis olev plastlõõr seadme korpuse külge, kasutades selleks kaht kruvi (3,5 x 9,5). (Pilt 8) Ärge hõõruge seda vastu pinda. Pilt 8



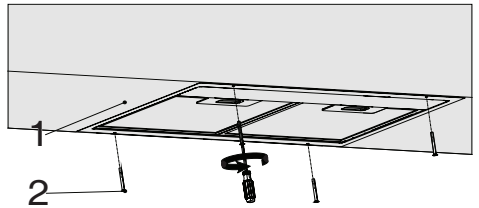
Pilt 9

1. Õhu väljatõmbetoru
 2. Õhupuhasti õhu väljatõmbelõõr
- Kinnitage õhu väljatõmbetoru õhu väljatõmbelõõri külge, kasutades selleks klambrit (pilt 9).

ETTEVAATUST!



Alumiiniumtoru pöörangud ja põlved põhjustavad õhu väljatõmbevõimsuse vähenemise ning seetõttu tuleb nende kasutamist vältida.

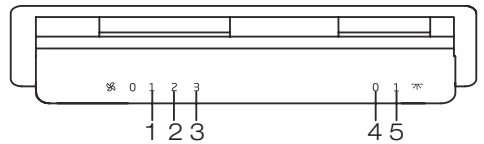


Pilt 10

1. Köögikapi altvaade
 2. 4 x 40 õhupuhasti paigaldamise kruvi
- Asetage õhupuhasti köögikapi ja kinnitage see nelja eelnevalt puuritud kinnitusavasse (pilt 10).

3.4 Seadme kasutamine

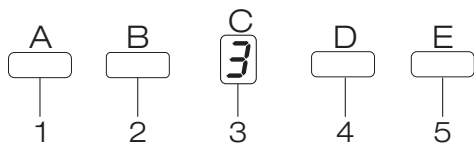
3.4.1 Päästikülüliiti kasutamine



- Lambi väljalülitamiseks viige lambi lüliti asendisse '0'.
- Lambi sisselülitamiseks viige lambi lüliti asendisse '1'.
- Mootori väljalülitamiseks viige mootori lüliti asendisse '0'.
- Mootorit saab kasutada kiirusel 1-3 vastavalt köögis oleva auru hulgale.

3 Seadme paigaldamine ja kasutamine

3.4.2 Digitaallüliti kasutamine



- A- 1. Tasemenupp
- B- 2. Tasemenupp
- C- Digitaalekraan
- D- 3. Tasemenupp
- E - Lambi sisse-välja lülitamise nupp

(A) Nupp: Selle nupu vajutamisel hakkab seade tööle kiirusel 1. (Ilmub ekraanile) Selle nupu uuesti vajutamisel õhupuhasti väljalülitamisel lülituvad ekraan ja õhupuhasti välja.

(B) Nupp: Selle nupu vajutamisel hakkab seade tööle kiirusel 2. (Ilmub ekraanile) Selle nupu uuesti vajutamisel õhupuhasti väljalülitamisel lülituvad ekraan ja õhupuhasti välja.

(E) Nupp: Selle nupu vajutamisel hakkab seade tööle kiirusel 3. (Ilmub ekraanile) Selle nupu uuesti vajutamisel õhupuhasti väljalülitamisel lülituvad ekraan ja õhupuhasti välja.

(C) Digitaalekraan: Sellele ekraanile ilmuvad valitud kiirus ja hoiatussümbolid.

(D) Lambi sisse-välja lülitamise nupp: Toiduvalmistusala valgustamiseks vajutage seda nuppu.

Metallfiltrite puhastusvahemikud: Filtreid tuleb puhastada juhul, kui ekraanile ilmub sümbol "C" (iga 60 tunni järel) või iga nelja nädala tagant (vastavalt kasutussagedusele). Kui olete filtrid puhastanud ja paigaldanud, vajutage sümboli "C" kustutamiseks ekraanilt rohkem kui 3 sekundi jooksul alla nupp A (seade peab olema välja lülitatud). Ekraanile ilmub täht E ja seade läheb tagasi tavapärasesse töörežiimi. Kui soovite seadet edasi kasutada ilma sümbolit C kustutamata, ilmub mis tahes kiiruse tasemenupu vajutamisel 1 sekundiks ekraanile kiirus ja seade hakkab valitud tasemel tööle, kuni sümbol C uuesti ekraanile ilmub.

Automaatne seiskumine 15 minuti pärast: Seadmel on automaatne seiskumiskompleks, et kõrvaldada köögilõhnad ja tõmmata pärast toiduvalmistamise lõpetamist aur välja ja et seade pärast mõnda aega ventileerimist välja lülituks.

Automaatse seiskumiskompleksi aktiveerimiseks hoidke vastava kiiruse nuppu (A, B, D) 3 sekundit all. 15 minuti töö lõppedes seadme kõik funktsioonid seiskuvad.

3 Seadme paigaldamine ja kasutamine

Automaatse seiskumise funktsioon desaktiveeritakse ja seadme mootor jääb seisma, kui vajutate hetkel aktiivse kiiruse nuppu ja automaatse seiskumise funktsioon on aktiivne. See funktsioon aktiveeritakse, kui lülitate seadme erinevatele kiirustasemetele. Kui soovite, et seade jääks automaatselt seisma, peate seadme automaatse seiskumise funktsiooni uuesti aktiveerima.

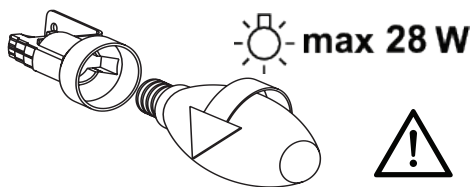
3.5 Lambi vahetamine

3.5.1 Lambipirni vahetamine



HOIATUS!

Tõmmake seadme pistik pesast välja. Kuumad lambid võivad käsi põletada, seega oodake, kuni lambid on jahtunud.



Pilt 11: Lambipirni vahetamine

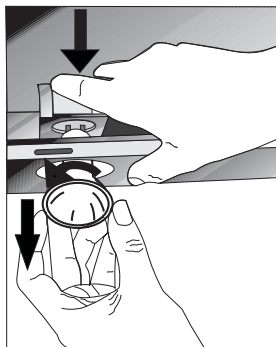
- Eemaldage alumiiniumist filtrikassett. Eemaldage rikkis lamp ja asendage see samaväärsega. Pilt 11

3.5.2 Halogeenpirni vahetamine

 max 50 W



IEC



Pilt 12: Halogeenpirni vahetamine

- Halogeenpirnide vahetamiseks suruge pirnihoidiku tagakülge allapoole ja eemaldage pirn allapoole tõmmates ning seejärel veidi vastupäeva keerates ja allapoole liigutades. Pilt 12



HOIATUS!

Kasutage ainult volfram- või metallhalogeenniidiga lampi.



MÄRKUS:

Kui seade läheb rikki või saab kahjustada, lülitage kaitse välja või tõmmake pistik pesast välja ja helistage klienditeenindusse.



MÄRKUS:

Kahjustada saanud toitejuhtme peab ohu vältimiseks välja vahetama tootja, klienditeeninduskeskus või vastava väljaõppe saanud tehnik.



MÄRKUS:

Kui seadme lambid on defektsed, lülitage kaitse välja või tõmmake pistik pesast välja. Vahetage rikkis lambid kohe, et vältida ülejäänud lampide ülekuumenemist (enne vahetamist oodake, kuni lambid on jahtunud).

4 Puhastamine ja hooldustööd



Seadmesse tõmmatud õhk puhastatakse õlifiltrites ja aktiivsöefiltris ning suunatakse kööki tagasi. Pilt 4

MÄRKUS!



Heitõhku ei tohiks tõmmata suitsu- ega heitgaasi lõõri ega lõõri, mida kasutatakse muude ruumide ventileerimiseks, kuhu on paigaldatud küttekehad.



Lõhna tekitavate materjalide neutraliseerimiseks õhuringlusrežiimis peaksite paigaldama aktiivsöefiltri. Pidage nõu volitatud edasimüüjaga, et saada teada erinevate võimaluste kohta seadme kasutamiseks õhuringlusrežiimis. Vajalikke tarvikuid saate osta kauplustest, volitatud teenindusosijate käest või veebipoest.

Seade sobib kasutamiseks süsinikfiltriga. Süsinikfiltri paigaldamiseks;

- 1- Asetage süsinikfilter oma korpusesse. Pilt 15/1
- 2- Keerake süsinikfiltrit päripäeva veendumaks, et see on tihedalt sisestatud. Pilt 15/2



Res.13



Res.14



Res.15



Valesti paigaldatud süsinikfilter võib alla kukkuda ja seadet kahjustada.



ETTEVAATUST!

Süsinikfiltreid ei tohi pesta. Hoidke süsinikfiltrid lastele kättesaamatult.



ETTEVAATUST!

Lapsed tohivad seadet puhastada ja hooldustööd teha ainult järelevalve all.

- Abrasiivsed või kummist puhastusvahendid võivad pinda kahjustada. Ärge kunagi kasutage abrasiivseid või kummist puhastusvahendeid. Ostke sobivaid puhastusvahendeid ja kaitsematerjale vaid volitatud klienditeeninduskeskustest. Seadme ja juhtnuppude pind on kriimustustele tundlik.
- Puhastage seadme pealispindu pehme niiske lapi, nõudepesuvahendi või õrnatoimelise aknapuhastusvahendiga. Kuivanud mustust saab eemaldada niiske lapiga pehmendades. Ärge kriimustage pinda!
- Ei sobi kuivad lapid, kriimustavad nuustikud, hõõrutavad materjalid, liiv ja muud efektiivsed mineraalvett, hapet või kloori sisaldavad puhastusvahendid.
- Puhastage roostevabast terasest pindu ainult lihvimise suunas.
- Ärge kasutage roostevaba terase puhastamiseks mõeldud vahendit või märgi lappe juhtnuppude puhastamiseks. Metallist õlifiltri puhastamine Kasutatud metallist õlifiltrid on endasse salvestanud köögis tekkinud niiskuse ja auru olevad õliosakesed. Regulaarse kasutamise korral (1-2 tundi päevas), puhastage metallist õlifiltreid iga kolme kuu tagant.
- Ärge kasutage kõrvalmõjudega, happelisi ega korrosiivseid puhastusvahendeid.
- Metallist õlifiltri puhastamiseks kasutage niisket lappi, et puhastada metallist õlifiltri kinnituseadised seadme sees.
- Metallist õlifiltreid võib pesta nõudepesumasinas või käsitsi.
- Ärge kandke pihustatavaid puhastusvahendeid vahetult seadmele.
- Ärge asetage seadme peale tuleohtlikke ega raskeid dekoratiivesemeid.

4.1 Pesemine nõudepesumasinas

- Nõudepesumasinas pesemise korral võib seadme värv veidi muutuda. See ei mõjuta metallist õlifiltri tööomadusi.

4 Puhastamine ja hooldustööd

- Ärge peske väga saastunud metallist õlifiltreid koos söögiriistadega.
- Asetage metallist õlifiltrid nõudepesumasinasse nii, et need saavad vabalt liikuda. Metallist õlifiltrid tuleb asetada nõudepesumasinasse nii, et need ei kiiluks kinni.

4.2 Käsitsipesu

- Raskestieemaldatava mustuse korral kasutage spetsiaalset õlieemaldusvahendit. Sellist vahendit saate osta volitatud müügikohast.
- Pehmendage metallist õlifiltrit soojas vees, millele on lisatud nõudepesuvahendit.
- Kasutage puhastamiseks harja ja oodake, kuni metallist õlifiltril olev vedelik on ära nõrgunud. Loputage filtreid pärast puhastamist hoolikalt.
- Tehnilisi spetsifikatsioone ja seda kasutusjuhendit võidakse etteteatamata muuta.
- Seade vastab elektri- ja elektroonikaseadmete jäätmete direktiivi järelevalvet käsitlevatele eeskirjadele.
- See õhupuhasti on mõeldud kasutamiseks pliidi kohal. Veenduge, et sein talub seadme kaalu. Seina või köögikapi purustamise, lõikamise ja sarnaste toimingutega seonduvad kulud peaks katma tarbija. Köögiõhupuhastit võib kasutada lõõrisüsteemiga, mis tõmbab õhu välja, või ilma lõõrita (paigaldades süsinikfiltri). Pöörake tähelepanu küsimustele, mis võivad tekkida enne paigaldamist ja paigaldamise ajal. Seadme peab paigaldama volitatud klienditeenindaja. Sellisel klienditeenindajal on ka teadmised ventilatsioonisüsteemist. Seadme eluiga on 10 (kümme) aastat (selle aja jooksul on saadaval seadme tööks vajalikud varuosad).
- Kahjustuste vältimiseks tuleb seadet hoida transportimise ajal originaalpakendis.
- Hoidke seadet käsitlemise ajal tavaasendis.
- Ärge laske seadmel maha kukkuda ja kaitske seda transportimise ajal niiskuse eest. Garantii ei kata rikkeid ega kahjustusi, mis on tekkinud seadme transportimise ajal kliendini.

Lūdzu, vispirms izlasiet šo lietotāja rokasgrāmatu.


Godātais klient!

Paldies, ka izvēlējāties šo "Beko" ierīci. Mēs ceram, ka šis produkts, kas ražots ar jaunāko augstas kvalitātes tehnoloģiju, jums sniegs vislabākos rezultātus. Tādēļ, pirms sākat to lietot, rūpīgi izlasiet visu lietotāja rokasgrāmatu un pārējo dokumentāciju un saglabājiet to lietošanai turpmāk. Ja jūs nododat izstrādājumu citai personai, kopā ar to nododiet arī šo lietotāja rokasgrāmatu. Rīkojieties atbilstoši norādījumiem, ņemot vērā visu lietotāja rokasgrāmatā sniegto informāciju un brīdinājumus.

Atcerieties, ka lietotāja rokasgrāmata var attiekties arī uz citiem modeļiem. Rokasgrāmatā ir skaidri aprakstītas modeļu atšķirības.

Simbolu nozīme

Dažādās šīs rokasgrāmatas nodaļās tiek izmantoti šie simboli:

	Svarīga informācija un noderīgi padomi par lietošanu.
--	---

	UZMANĪBU: Brīdinājumi par bīstamām situācijām, kas saistītas ar apdraudējumu dzīvībai un īpašumam.
--	---

	Brīdinājums par ugunsbīstamību.
--	---------------------------------

	Brīdinājums par elektrošoku.
--	------------------------------



Šis izstrādājums ir ražots videi draudzīgās, mēsdielīgās ražotnēs, neradot kaitējumu dabai.

1 Svarīgi drošības un vides norādījumi

1.1. Vispārēja drošība

- Šo ierīci drīkst lietot bērni no 8 gadu vecuma un personas, kurām ir pietiekamas fiziskās, maņu un garīgās spējas, kā arī atbilstoša pieredze un zināšanas, pie nosacījuma, ka tiek uzraudzītas vai informētas par ierīces drošu lietošanu un ar to saistītajiem riskiem.
 - Bērni nedrīkst spēlēties ar ierīci. Tīrīšanas un apkopes procedūras bērni nedrīkst veikt bez pieaugušo uzraudzības.
 - Šī ierīce ir paredzēta lietošanai mājstaimniecībā.
 - Jūsu ierīces darba spriegums ir 220–240 volti, ~50–60 Hz.
 - Jūsu ierīces elektrība vadam ir pievienota kontaktdakšīna sazēmēšanai. Šis vads jāpievieno sazēmētai kontaktligzdai.
 - Pievienošana elektrībai jāveic apmācītam profesionālim.
 - Ja uzstādīšanu veic nepiederošas personas, tas var būt par iemeslu ierīces neefektīvai darbībai, ierīces bojājumiem un negadījumiem.
 - Uzstādīšanas laikā jānovērš iespēja saspīest vai iespiest elektrības vadu. Elektrības vadam nevajadzētu atrasties plīts tuvumā. Drošības instrukcijas
- Tādā gadījumā vads var izkust un izraisīt ugunsgrēku.
- Nepievienojiet kontaktdakšīnu strāvai, pirms ierīce ir uzstādīta.
 - Raugieties, lai kontaktdakšīna ir vietā, kur tai var viegli piekļūt, lai bīstamā situācijā atvienotu no strāvas.
 - Nepieskarieties lampām, ja tās ir degušas ilgu laiku. Tās var apdedzināt jūsu rokas, jo ir ļoti karstas.
 - Virtuves tvaiku nosūcējus ražo izmantošanai mājas apstākļos, normālā veidā gatavojot. Ja to izmanto citiem mērķiem, produkts var sabojāties, un garantija nebūs derīga.
 - Rīkojieties atbilstoši kompetento iestāžu noteikumiem par izplūdes gaisa izvadīšanu (šis brīdinājums neattiecas, ja ierīci izmanto bez dūmvada).
 - Zem ierīces nevajadzētu gatavot viegli uzliesmojošus ēdienus.
 - Ierīci iedarbiniet pēc tam, kad uz plīts uzlikts katliņš, panna utt. Citādi lielais karstums var deformēt dažas jūsu ierīces daļas.
 - Pirms no plīts noņemat katlu, pannu utt., izslēdziet plīti.
 - Neatstājiet uz plīts karstu eļļu. Pannas ar karstu eļļu var izraisīt

1 Svarīgi drošības un vides norādījumi

pašaizdegšanos.

- Uzmaniet aizkarus un pārsegi, jo eļļa ēdiena, piemēram, eļļā vārītu kartupeļu gatavošanas laikā var aizdegties.
- Raugieties, lai filtri tiktu laikus nomainīti. Laikus nomainītos filtros var sakrāties eļļa, un tas rada aizdegšanās risku.
- Nelietojiet ugunsnedrošus filtra materiālus filtra vietā.
- Nedarbiniet ierīci bez filtra, neizņemiet filtrus, kamēr ierīce darbojas.
- Aizdegšanās gadījumā atvienojiet tvaiku nosūcēju un gatavošanas ierīces no strāvas. (Atvienojiet kontaktdakšīņu no strāvas vai izslēdziet galveno slēdzi).
- Ja periodisko tīrīšanu neveic kā nākas, pastāv aizdegšanās risks.
- Pirms veicat apkopes darbus, atvienojiet ierīci no strāvas. (Atvienojiet kontaktdakšīņu no strāvas vai izslēdziet galveno slēdzi).
- Darbinot tvaiku nosūcēju vienlaikus ar elektrisko plīti un ierīcēm ar citu enerģijas avotu, telpas negatīvajam spiedienam nevajadzētu pārsniegt 4 Pa (4 x 10 bar).
- Telpā, kurā izmanto ierīci, ierīcēm, kuras darbina ar degvielu vai gāzi, piemēram, sildītājiem, jābūt absolūti izolētiem, vai ierīcei jābūt hermētiskai.
- Pievienojot dūmvadam, izmantojiet 120 vai 150 mm diametra caurules. Caurules savienojumam ir jābūt pēc iespējas īsākam ar iespējami mazāko līkumu skaitu.
- Bērni nedrīkst spēlēties ar ierīci.
- Jūsu drošības dēļ nosūcēja komplektam izmantojiet drošinātāju "MAX 6 A".
- Sargājiet no bērniem iepakojuma materiālus, jo tie var bērnus apdraudēt.
- Ja elektrības vads ir bojāts, tā nomaiņa jāveic ražotājam, pakalpojumu sniegšanas pārstāvim vai līdzīgas kvalifikācijas speciālistam, lai izvairītos no riska.
- Aizdegšanās gadījumā atvienojiet tvaiku nosūcēju un plīti no strāvas, nosedziet liesmas. Uguns dzēšanai nekad neizmantojiet ūdeni.
- Darbinot gatavošanas ierīces, to sasniedzamās daļas var būt karstas.
- Šo ierīci nav paredzēts lietot personām (tostarp bērniem) ar ierobežotām fiziskām, sensorām

1 Svarīgi drošības un vides norādījumi

un prāta spējām, vai tādām, kam nav atbilstošas pieredzes un zināšanu, ja vien par drošību atbildīgā persona viņus uzrauga un instruē par ierīces lietošanu.

- Kad tvaika nosūcēja uzstādīšana virs elektriskās plīts ir pabeigta, starp ierīci un elektrisko plīti jābūt vismaz 65 cm attālumam.
- Nosūcēja izvadu nedrīkst pievienot gaisa kanāliem, pa kuriem plūst citi dūmi.
- Jāuzmanās, lietojot ierīci vienā telpā ar iekārtām, kuras izmanto gaisu un kurināmo (piem., sildītāji, ūdens apkures katli, kurus darbina ar gāzi, dīzeļdegvielu, akmeņoglēm, malku, vai ūdens sildītāji). Tas var traucēt sadegšanu, jo tvaika nosūcējs gaisu izvada ārpus telpas.
- Šis brīdinājums neattiecas uz ierīcēm, kuras lieto bez dūmvada.
- Ja elektriskās plīts tvaika nosūcēju (tas neattiecas uz ierīcēm, kuras gaisu izvada atpakaļ telpā) lieto vienlaikus ar iekārtām, kuras darbina ar gāzi vai citiem kurināmajiem, telpā var nebūt pietiekama ventilācija.

1.1. Atbilstība EEIA direktīvai un izstrādājuma apsaimniekošanas noteikumiem:



Šis produkts nesatur kaitīgus vai aizliegtus materiālus, kuri minēti Vides un urbanizācijas Ministrijas izdotajos "Noteikumos par elektrisko un elektronisko iekārtu atkritumu pārraudzību". Atbilst EEIA regulas prasībām. Šis produkts ir izgatavots no kvalitatīvām detaļām un materiāliem, kurus var atkārtoti pārstrādāt un izmantot. Tādēļ neizmetiet šo ierīci, kad tā beigusi kalpot, kopā ar sadzīves un citiem atkritumiem. Nogādājiet to savākšanas vietā, kurā tiek pieņemtas elektriskās un elektroniskās iekārtas otrreizējai izejvielu pārstrādei. Jautājiet vietējā pašvaldībā par atkritumu savākšanas punktiem jūsu apkārtnē. Palīdziet aizsargāt apkārtējo vidi un dabas resursus, atkārtoti pārstrādājot lietotus izstrādājumus.

1.2. Ierīces iepakojums



Jūsu ierīces iepakošanai izmantotajiem materiāli ir atkārtoti pārstrādājami. Lūdzu, nodrošiniet iepakojuma materiālu nodošanu atkritumos atbilstoši vietējiem noteikumiem, lai materiāli tiktu atkārtoti pārstrādāti, aizsargājot vidi.

1 Svarīgi drošības un vides norādījumi

1.3. Draudi dzīvībai Risks saindēties



att. 1: Risks saindēties



att. 2: Risks saindēties



BĪSTAMI! **Brīdinājums -** **nosmakšanas risks**

Iepakojuma materiāli ir bīstami bērniem. Neļaujiet bērniem spēlēties ar iepakojuma materiāliem.



BĪSTAMI! **Brīdinājums - bīstami** **dzīvībai**

Ielpojot sadegšanas gāzes, rodas apdraudējums dzīvībai - risks saindēties. Gaisa izvadu nelietojiet ierīci vienlaikus ar iekārtām, kuras izdala indīgas gāzes, piemēram, krāsnis ar gaisa cirkulāciju, kuras darbina ar gāzi, petroleju, malku vai kokogļēm, vannu krāsnīm, ūdens sildītājiem utt., ja netiek pievadīts pietiekami daudz gaisa. Att. 3

Iekārtas ar gaisa cirkulāciju (piem., krāsnis, kuras darbina ar gāzi, petroleju, malku vai kokogļēm, vannas krāsnis, ūdens sildītāji) patērē gaisu no uzstādīšanas telpas un izvada dūmgāzes izvadsistēmā (piem., dūmvadā). Darbināšanas laikā ierīce iesūc gaisu no virtuves un līdzās esošajām telpām. Vakuums veidojas tad, ja netiek pievadīts pietiekami daudz gaisa. Tādā gadījumā indīgās gāzes tiek iesūktas atpakaļ no dūmvada un izplūdes gaisa kanāla, un atgriežas atpakaļ mājoklī. Att. 1.

Šī iemesla dēļ vienmēr jānodrošina tas, ka tīrs gaisss vienmēr tiek pievadīts pietiekamā daudzumā. Att. 2

BRĪDINĀJUMS! **Aizdeģšanās risks!**

Tauku nosēdumi eļļas filtrā var aizdegties. Tauku filtru tīriet vismaz ik pēc trijiem mēnešiem. Nedarbiniet ierīci bez tauku filtra.

Tauku nosēdumi eļļas filtrā var aizdegties. Ierīces tuvumā nekad nedarbojieties ar atklātu liesmu (piem., flambējot). Ierīci ir atļauts uzstādīt līdzās tādai apkures iekārtai, kuru kurina ar cieto kurināmo (piem., malku vai akmeņogļēm), ja virs ierīces ir noslēgts pārsegs, kuru nevar noņemt. Nevajadzētu radīt dzirksteles.

Karsta augu eļļa un tauki var viegli aizdegties. Karsta augu eļļa un tauki vienmēr jāuzmana. Nemēģiniet liesmas nodzēst ar ūdens palīdzību.

Izslēdziet plīti. Uzmanīgi nosedziet liesmas ar vāku, ugunsdzēsības segu vai līdzīgu priekšmetu.



1 Svarīgi drošības un vides norādījumi



Gāzes plītis, uz kurām nav gatavošanas trauku, darbības laikā rada lielu karstumu. Tādēļ virs plīts novietota ventilēšanas ierīce var sabojāties vai apdegt. Gāzes plīti iedeziet tikai tad, ja uz tās ir gatavošanas trauks.

Darbinot vienlaikus vairāk par vienu gāzes degli, rodas liels karstums. Tādēļ virs plīts novietota ventilēšanas ierīce var sabojāties vai apdegt. Nedarbiniet divus gāzes degļus ar lielu liesmu ilgāk par 15 minūtēm. Degļa, kura jauda pārsniedz 5 kW (Vok), jauda atbilst deglim ar diviem gāzes gredzeniem.

BRĪDINĀJUMS! **Elektriskās strāvas trieciena risks!**

Bojāta ierīce var izraisīt elektriskās strāvas triecienu. Nelietojiet bojātu ierīci. Atvienojiet to no strāvas vai izslēdziet drošinātāju drošinātāju kārbā. Izsauciet klientu apkalpošanas dienestu.



Remonts, kas netiek veikts saskaņā ar instrukciju, rada apdraudējumu. Remontu un bojātu elektrības vadu nomaiņu vajadzētu veikt tikai klientu apkalpošanas dienesta speciālistam, kurš apmācīts mūsu uzņēmumā. Ja ierīce ir bojāta, atvienojiet to no strāvas vai izslēdziet drošinātāju drošinātāju kārbā. Izsauciet klientu apkalpošanas dienestu.

Ierīcē ieplūdis ūdens var izraisīt elektriskās strāvas triecienu. Nedrīkst izmantot augstspiediena vai tvaika tīrītājus.

BĪSTAMI! **Risks savainoties!**

Uzstādīšanas laikā pastāv risks savainoties, jo ierīcei ir asas malas. Uzstādot ierīci, vienmēr lietojiet aizsargcimdus.



Visas drošības skrūves un drošības pārsegi jāuzstāda atbilstoši norādījumiem lietotāja rokasgrāmatā, citādi pastāv risks, ka ierīce nokritīs.

Uz ierīces novietoti priekšmeti var nokrist. Nelieciet nekādus priekšmetus uz ierīces.

LED apgaismojums ir pārāk spožs. Tas var kaitēt jūsu acīm (1. bīstamības grupa) Neskatieties tieši ieslēgtā LED lampā ilgāk par 100 sekundēm.



UZMANĪBU!

Aizsniedzamās daļas var sakarst, kad darbina gatavošanas aprīkojumu.

1 Svarīgi drošības un vides norādījumi



Ja remonts nav veikts pareizi vai ir veikts neatbilstoši noteikumiem, lūdzu, izslēdziet drošinātāju vai atvienojiet ierīces kontaktdakšīņu no strāvas. Remontu drīkst veikt tikai pilnvarots tehniskās apkopes darbinieks vai pilnvarots pieredzējis speciālists.

Ja remonts nav veikts pareizi vai ir veikts neatbilstoši noteikumiem, lūdzu, izslēdziet drošinātāju vai atvienojiet ierīces kontaktdakšīņu no strāvas. Remontu drīkst veikt tikai pilnvarots tehniskās apkopes darbinieks vai pilnvarots pieredzējis speciālists.



BĪSTAMI! **Risks apdedzināties,** **elektriskās strāvas** **trieciena risks!**

Pagaidiet, līdz ierīce atdziest, pirms veicat tīrīšanu vai apkopi. Izslēdziet drošinātāju vai atvienojiet ierīces kontaktdakšīņu no strāvas.

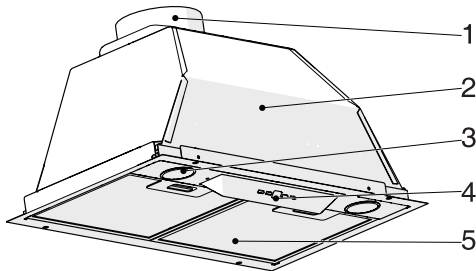
Ja mitrums iekļūst elektronikas daļā, rodas risks sabojāt ierīci. Nekad netīriet vadības pogas ar slapju lupatu.

Nepareizi tīrot, virsmu var sabojāt. Nerūsējošā tērauda virsmas tīriet tikai šķiedras virzienā. Vadības pogām nelietojiet līdzekļus nerūsējošā tērauda kopšanai.

Virsmu var sabojāt ar abrazīviem vai skrāpējošiem tīrīšanas līdzekļiem. Nekad nelietojiet abrazīvus vai skrāpējošus tīrīšanas līdzekļus.

2 Vispārīgs izskats

2.1. Pārskats



1. Gaisa izplūdes dūmvads
2. Korpus
3. Tvaika nosūcēja apgaismojums
4. Vadības panelis
5. Alumīnija tauku filtrs

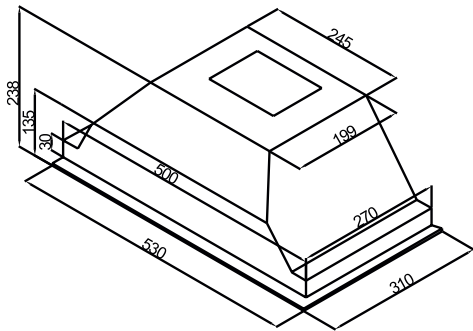
2.2. Tehniskie dati

CE Šī ierīce atbilst Eiropas Parlamenta un Padomes Direktīvu 2014/30/ES (Direktīva par elektromagnētisko savietojamību) un 2014/35/ES (Direktīva par elektroiekārtām, kas paredzētas lietošanai noteiktās sprieguma robežās) prasībām.

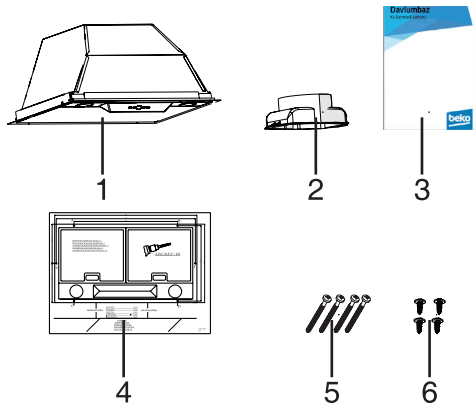
Strāvas spriegums	220-240V~50 Hz
Spuldžu jauda	2x3 W
Motora jauda	1x125 W
Dzinēja izolācijas klase	F
Izolācijas klase	IKLASE

Paturam tiesības veikt tehniskus un dizaina pārveidojumus. Tehniskajos rasējumos izmēri norādīti mm. Šis attēls tikai iepazīstina ar ierīces daļām. Detāļas var atšķirties atkarībā no ierīces modeļa. Attēliem ir ilustratīva nozīme.

2.3. Tehniskais rasējums mērogā



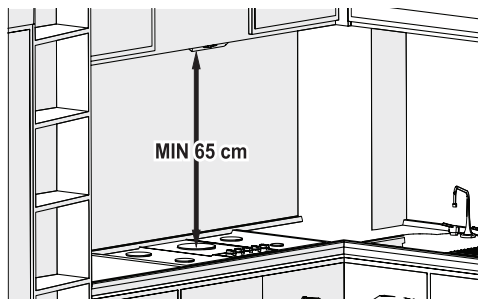
2.4. Iepakojuma saturs



1. Tvaika nosūcējs
2. Plastmasas gaisa izplūdes caurule, diametrs 120 mm, 1 gab.
3. Lietotāja rokasgrāmata
4. Uztādīšanas skice
5. 4x 4x40 Skrūves (izmanto tvaiku nosūcēja uzstādīšanai)
6. 3,5 x 9,5 Skrūves (izmanto plastmasas dūmvada uzstādīšanai)

3 Ierīces uzstādīšana un lietošana

3.1. Ierīces novietojums



- Pirms uzstādīšanas jāpievērš uzmanība attālumam starp plīti un tvaiku nosūcēju. Attālumam jābūt 65 cm.
- Mērījums jāveic no gāzes plīts restu virsmas vai elektriskās plīts stikla virsmas.



Jūsu jaunā ierīce enerģiju izmanto īpaši efektīvi. Šeit atradīsiet dažus padomus par to, kā, lietojot ierīci, ietaupīt vairāk enerģijas, un par to, kā ierīci pareizi izjaukt.

3.2. Norādījumi enerģijas taupīšanai;

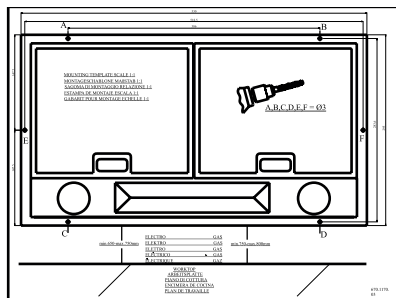
- Lai tvaiku nosūcējs darbotos efektīvi un klusi, nodrošiniet pietiekami daudz pievadītā gaisa.
- Ventilatora ātrumu iestatiet atbilstoši tvaiku daudzumam virtuvē. Augstāko pakāpi izmantojiet tikai tad, kad tas nepieciešams. Izmantojot zemāku ventilatora ātrumu, ir mazāks enerģijas patēriņš.
- Ja paredzams, ka virtuvē būs daudz dūmu, jau iepriekš ieslēdziet lielāku ventilatora ātrumu. Tvaika nosūcējs jādarbina daudz ilgāk, lai atbrīvotos no dūmiem, kuri jau izplatījušies par visu virtuvi.
- Izslēdziet tvaiku nosūcēju, ja to nelietojat.
- Filtrs jātīra vai jānomaina pēc norādītajiem intervāliem, tādējādi paaugstinot ventilācijas efektivitāti un samazinot aizdegšanās risku.

3.3. Ierīces uzstādīšana



UZMANĪBU!

Veicot urbšanas un zāgēšanas darbus, lietojiet aizsargcimdus un aizsargbrilles.

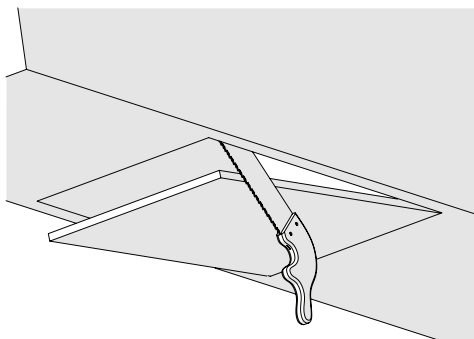


Att. 6

Stiprināšanas caurumu urbšana

- Ierīces komplektam pievienoto uzstādīšanas šablonu uzlīmējiet uz virsmas, pie kuras ierīce tiks uzstādīta.
- Ar Ø4 mm urbja uzgali izurbiet uzstādīšanas skicē norādītos caurumus A, B, C, D. Att. 6

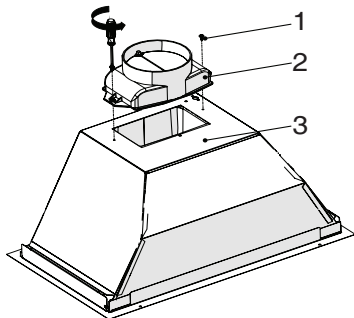
att. 7



3 Ierīces uzstādīšana un lietošana

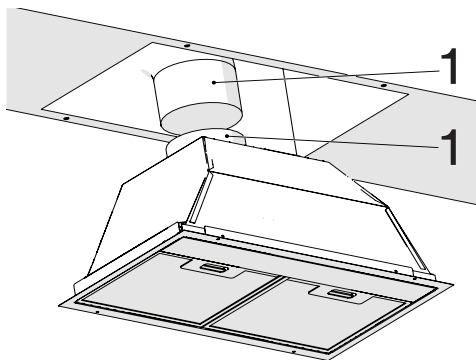
- Veiciet izžāgējumu skapīša, kurā tiks uzstādīts tvaika nosūcējs, apakšējā virsmā atbilstoši tehniskajā rasējumā norādītajiem izmēriem. 7

Att. 8



1. 3,5 x 9,5 skrūve
2. Ø120 mm Plastmasas dūmvads
3. KorpusVārsts Tapas līgзда

- Komplektam pievienoto plastmasas dūmvadu piestipriniet ierīces korpusam ar 2 3,5 x 9,5 skrūvēm. (att. 8) nesaskrāpējiet ar to ierīces virsmu. Att. 8



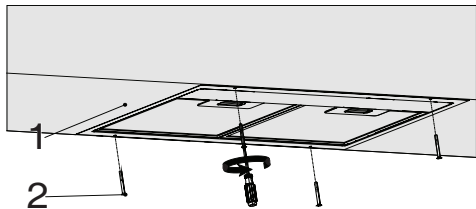
Att. 9

- 1 Gaisa izplūdes caurule
 2. Tvaika nosūcēja gaisa izplūdes dūmvads
- Gaisa izplūdes cauruli piestipriniet gaisa izplūdes dūmvadam un nostipriniet ar spaili (att. 9).

UZMANĪBU!



Alumīnija caurules līkumi un pagriezieni izraisa gaisa iesūkšanas jaudas samazināšanos, tādēļ pēc iespējas no tiem jāizvairās.

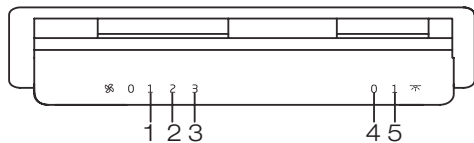


Att. 10

1. Skats uz virtuves skapīti no augšas
 2. 4x40 skrūve tvaika nosūcēja uzstādīšanai
- Ievietojiet nosūcēju virtuves skapītī un ieskrūvējiet nosūcēja stiprināšanas skrūves iepriekš izurbtajos 4 uzstādīšanas caurumos. (Att.10).

3.4. Ierīces lietošana

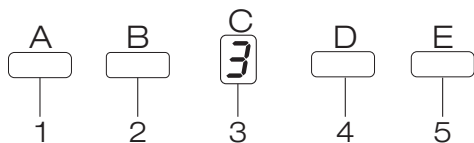
3.4.1. Pārslēdža lietošana



- Lai izslēgtu lampu, pārslēdziet slēdzi pozīcijā "0".
- Lai ieslēgtu lampu, pārslēdziet slēdzi pozīcijā "1".
- Lai izslēgtu dzinēju, pārslēdziet dzinēja slēdzi pozīcijā "0".
- Atkarībā no tvaiku daudzuma dzinēju var darbināt ar zemāko pirmo ātruma pakāpi vai augstāko trešo ātruma pakāpi.

3 Ierīces uzstādīšana un lietošana

3.4.2. Digitālā slēdža lietošana



- A-1. Pakāpes poga
- B-2. Pakāpes poga
- C - Digitālais ekrāns
- D- 3. Pakāpes poga
- E - Lampas ieslēgšanas / izslēgšanas poga

(A) poga: Ja piespiež šo pogu, tvaika nosūcējs darbojas ar 1. ātruma pakāpi. (Rādījums ekrānā) Ja šo pogu piespiedīsiet vēlreiz, izslēdzot ierīci, ekrāns un tvaika nosūcējs izslēgsies.

(B) poga: Ja piespiež šo pogu, tvaika nosūcējs darbojas ar 2. ātruma pakāpi. (Rādījums ekrānā) Ja šo pogu piespiedīsiet vēlreiz, izslēdzot ierīci, ekrāns un tvaika nosūcējs izslēgsies.

(E) poga - Ja piespiež šo pogu, tvaika nosūcējs darbojas ar 3. ātruma pakāpi. (Rādījums ekrānā) Ja šo pogu piespiedīsiet vēlreiz, izslēdzot ierīci, ekrāns un tvaika nosūcējs izslēgsies.

(C) Digitālais ekrāns Tajā redzams izvēlētais ātrums un brīdinājuma simboli.

(D) Lampas ieslēgšanas / izslēgšanas poga Nospiediet šo taustiņu, lai apgaismotu ēdiena gatavošanas zonu.

Metāla filtru tīrīšanas periodi Filtri jātīra tad, kad ekrānā redzams simbols "C" (ik pēc 60 stundām) vai ik pēc četrām nedēļām (atbilstoši lietošanai). Piespiediet un vairāk nekā 3 sekundes turiet piespiestu pogu A (kad ierīce ir izslēgta), lai pēc filtru iztīrīšanas un uzstādīšanas nodzēstu simbolu "C". Ekrānā būs redzams simbols "E", un ierīce pārslēgsies uz normālu darbu. Ja vēlaties ierīci darbināt, nenodzēšot simbolu "C", pēc ātruma pakāpes pogu piespiešanas ekrānā 1 sekundi būs redzams ātruma rādījums, un pēc tam, kad ekrānā no jauna parādīsies simbols "C", dzinējs turpinās darbu ar izvēlēto ātruma pakāpi.

Automātiska apturēšana pēc 15 minūtēm Ierīcei ir automātiskās apturēšanas funkcija, kura palīdz novērst smaku un aizvādiņt tvaikus pēc tam, kad gatavošana ir pabeigta. Šī funkcija automātiski aptur ierīces darbību, kad telpa kādu laiku ir vēdināta.

Lai ieslēgtu automātisko apturēšanas funkciju, vēlreiz 3 sekundes spiediet to pašu pogu (A, B, D) atbilstoši pašreizējai ātruma pakāpei. Pēc 15 minūšu darba visas ierīces funkcijas izslēgsies.

3 Ierīces uzstādīšana un lietošana

Ja automātiskās apturēšanas funkcijas darbības laikā vēlreiz piespiedīsiet to pašu ātruma pakāpes pogu, tiks izslēgta automātiskās apturēšanas funkcija un izslēgsies ierīces dzinējs. Šī funkcija tiks izslēgta, ja pārslēgsiet citu ātruma pakāpi. Ja vēlaties, lai ierīce pārtrauc darbu automātiski, no jauna jāieslēdz ierīces automātiskās apturēšanas funkcija.

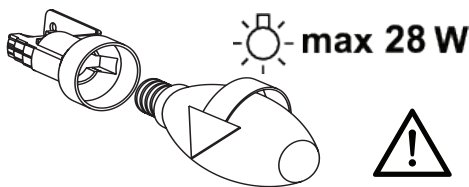
3.5. Spuldzes nomaiņa

3.5.1. Spuldzes nomaiņa



BRĪDINĀJUMS!

Atvienojiet tvaika nosūcēju no strāvas. Karstas spuldzes var jums apdedzināt rokas, tādēļ pagaidiet, līdz tās atdziest.



Att. 11: Spuldzes nomaiņa

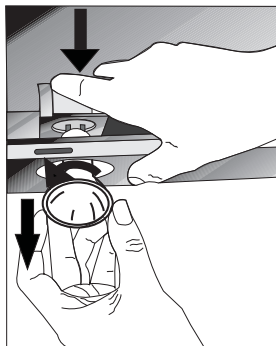
- Noņemiet alumīnija filtra kasetni. Izņemiet izdegušo spuldzi un to nomainiet pret spuldzi ar tādiem pašiem parametriem. Att. 11

3.5.2. Halogēnās spuldzes nomaiņa

 max 50 W



IEC



Att. 12: Halogēnās spuldzes nomaiņa

- Lai nomainītu halogēnās spuldzes, spuldzes turētāju aizmugurē paspiediet uz leju, pavelciet spuldzi uz leju, pēc tam mazliet pagrieziet pretēji pulksteņrādītāju kustības virzienam un izņemiet virzienā uz leju. Att. 12



BRĪDINĀJUMS!

Izmantojiet tikai pret pārkaršanu nodrošinātu volframa halogēno spuldzi vai pret pārkaršanu nodrošinātu metāla halogēnīdu spuldzi.



PIEZĪME.

Ja ierīce salūzt vai tiek bojāta, izslēdziet drošinātāju vai atvienojiet ierīces kontaktdakšīņu no strāvas un izsauciet pilnvarotu tehniskās apkopes pārstāvi.



PIEZĪME.

Ja elektrības padeves vads ir bojāts, tā aizvietošana ir jāveic ražotājam, tā pārstāvim vai līdzīgi kvalificētai personai, lai novērstu bīstamības risku.



PIEZĪME.

Izslēdziet drošinātāju vai atvienojiet ierīces kontaktdakšīņu no strāvas, ja saplīsušas ierīces spuldzes. Nekavējoties nomainiet izdegušas spuldzes, lai citām spuldzēm nebūtu pārslodzes (vispirms apgaidiet, lai spuldzes atdziest).

4. Tīrīšana un apkope



UZMANĪBU!

Rūsas izraisīta bojājuma risks. Gatavošanas laikā vienmēr darbiniet ierīci, lai novērstu kondensāta veidošanos. Kondensāts var izraisīt rūšēšanu. Nekavējoties nomainiet izdegušas spuldzes, lai citām spuldzēm nebūtu pārslodzes. Ja mitrums iekļūst elektronikā daļā, rodas risks sabojāt ierīci. Nekad netīriet vadības pogas ar slapju lupatu. Nepareizi tīrot, virsmu var sabojāt. Nerūsējošā tērauda virsmas tīriet tikai šķiedras virzienā. Vadības pogām nelietojiet līdzekļus nerūsējošā tērauda kopšanai. Virsmu var sabojāt ar abrazīviem vai skrāpējošiem tīrīšanas līdzekļiem. Nekad nelietojiet abrazīvus vai skrāpējošus tīrīšanas līdzekļus. Kondensāta ieplūšana atpakaļ rada risku sabojāt ierīci. Gaisa izplūdes kanālu ierīkojiet 1° leņķī, mazliet uz leju no ierīces.



UZMANĪBU!

Šo ierīci var izmantot gaisa izpūšanas režīmā vai gaisa cirkulācijas režīmā.



Gaisa izpūšanas režīms

Iesūktu gaisu attīra tauku filtrs un izvada caur caurulvadu sistēmu. (att. 3) Ja vēlaties izplūdes gaisu ievadīt nelietotā dūmgāzu vai izplūdes gāzu dūmvadā, jums jāsaņem atļauja no pilnvarota skursteņslaucītāja. Ja izplūstošo gaisu izvada caur ārējo, jāizmanto teleskopiskā sienas kārbā.



Iesūktu gaisu attīra tauku filtrs un aktīvās ogles filtrs, un tad tas tiek no jauna ievadīts virtuvē. Att. 4



PIEZĪME.

Izplūdes gaisu nedrīkst ievadīt dūmgāzu vai izplūdes gāzu kanālā vai skurstenī, kuru izmanto tādu telpu ventilēšanai, kurās ir apkures iekārtas.



Lai saistītu vielas, kuras cirkulācijas režīmā gaisā rada smakas, jāuzstāda aktīvās ogles filtrs. Jautājiet pilnvarotajam izplatītājam par dažādām iespējām darbināt ierīci gaisa cirkulācijas režīmā. Šim procesam nepieciešamos piederumus varat iegādāties specializētajos veikalos, no pilnvarotajiem tehniskās apkopes pārstāvjiem vai tiešsaistes veikalā.

Ierīce, kuru iegādājāties, var darboties ar ogles filtru. Ogles filtra uzlikšana

1. Ievietojiet ogles filtru filtra korpusā. Att. 15/1
- 2.- Pagrieziet ogles filtru pulkstenrādītāju kustības virzienā, lai pārliecinātos, ka tas ir cieši iestiprināts. Att. 15/2



Res.13



Res.14



Res.15



Ja ogles filtrs nav kārtīgi iestiprināts, tas var izkrist un sabojāt jūsu ierīci.



UZMANĪBU!

Nekad nemazgājiet ogles filtrus. Ogles filtrus glabājiet bērniem nepieejamā vietā.

4. Tīrīšana un apkope



UZMANĪBU!

Bērni nedrīkst bez uzraudzības veikt ierīces apkopi un tīrīt to.

- Virsmu var sabojāt ar abrazīviem vai skrāpējošiem tīrīšanas līdzekļiem. Nekad nelietojiet abrazīvus vai skrāpējošus tīrīšanas līdzekļus. Pilnvarotā tehniskās apkopes dienestā iegādājieties tīrīšanas līdzekļus un aizsargmateriālus, kuri ir piemēroti jūsu ierīcei. Ierīces un vadības pogu virsma ir jutīga pret skrāpējumiem.
- Šīs virsmas tīriet ar mīkstu, mitru drānu, izmantojot trauku mazgāšanas līdzekli vai maigu stikla tīrīšanas līdzekli. Piekaltušus un pielipušus netīrumus atmieššķējiet ar mitru drānu. Neskrāpējiet tos nost!
- Tīrīšanai nav piemērotas sausas drānas, sūkļi, kuri var skrāpēt, materiāli, ar kuriem jāberž, jāslīpē, kā arī citi spēcīgi tīrīšanas līdzekļi, kuru sastāvā ir minerālūdens, skābes vai hlors.
- Nerūsējošā tērauda virsmas tīriet tikai šķiedras virzienā.
- Vadības iekārtas tīrīšanai neizmantojiet nerūsējošā tērauda tīrīšanas līdzekli vai slapju drānu. Metāla tauku filtru tīrīšana. Lietotos metāla tauku filtrus ir sakrājiet virtuves mitrums un gaisa plūsmas nestās tauku daļiņas. Ja nosūcēju lietojat regulāri (1–2 stundas dienā), metāla tauku filtri jātīra ik pēc 3 mēnešiem.
- Neizmantojiet ļoti spēcīgus, skābi saturošus vai kodīgus tīrīšanas līdzekļus.
- Metāla tauku filtru tīrīšanai lietojiet mitru drānu, noslaukot metāla tauku filtru balstošās daļas ierīces iekšpusē.
- Metāla tauku filtrus var mazgāt trauku mazgājamā mašīnā vai ar rokām.
- Nelietojiet izsmidzināmos tīrīšanas līdzekļus tieši uz ierīces.
- Nenovietojiet viegli uzliesmojošus un / vai smaigu dekoratīvos elementus uz ierīces.

4.1. Mazgāšana trauku mazgājamā mašīnā

- Mazgājot trauku mazgājamā mašīnā, var rasties nelielas krāsas izmaiņas. Tas neietekmē metāla

tauku filtra funkcijas.

- Stipri netīrus metāla tauku filtrus nemazgājiet kopā ar traukiem.
- Metāla tauku filtri trauku mazgājamā mašīnā jāievieto vaļīgi vai brīvi. Metāla tauku filtri trauku mazgājamā mašīnā jāievieto neiespīlējot.

4.2. Mazgāšana ar rokām

- Grūti notīrāmu netīrumu tīrīšanai varat izmantot speciālu līdzekli tauku šķīdināšanai. Šādu līdzekli varat iegādāties pilnvarotā pārdošanas vietā.
- Atmieššķējiet metāla tauku filtru karstā trauku mazgāšanas līdzekļa šķīdumā.
- Mazgāšanai lietojiet suku, pagaidiet, līdz šķidrums kārtīgi notek no metāla tauku filtra. Pēc mazgāšanas filtrus rūpīgi izskalojiet.
- Tehniskās specifikācijas un šī rokasgrāmata var tikt mainīta bez iepriekšēja paziņojuma.
- Uz šo ierīci attiecas Elektrisko un elektronisko iekārtu atkritumu pārraudzības noteikumi.
- Šīs tvaiku nosūcējs ir paredzēts izmantošanai virs plīts. Pārliedzieties, ka siena iztur tvaiku nosūcēja svaru. Iesīšanas, izzāģēšanas vai līdzīgas darbības, kuras, uzstādot ierīci, jāveic sienā vai skapī, izmaksas sedz patērētājs. Tvaika nosūcēju var izmantot ar dūmvadu sistēmu, kura izvada gaisu, vai bez dūmvada (ievietojot ogles filtru). Pievērsiet uzmanību vielām, ar kurām ierīce var saskarties pirms uzstādīšanas vai tās laikā. Uzstādīšanu veic autorizēts servisa personāls. Uzstādīšanu drīkst veikt pilnvarots speciālists, kuram ir zināšanas par ventilāciju. Rūpniecības ministrijas noteiktais ierīces kalpošanas ilgums (laiks, kurā ir pieejamas rezerves daļas ierīces funkciju nodrošināšanai) ir 10 (desmit) gadi.
- Jūsu ierīce transportēšanas laikā ir jāglabā oriģinālajā iepakojumā, lai to nesabojātu.
- Ierīci glabāšanas un transportēšanas laikā glabājiet normālā pozīcijā.
- Nenometies ierīci zemē un sargājiet to no bojājumiem transportēšanas laikā. Garantija neattiecas uz darbības traucējumiem un bojājumiem, kuri radušies transportēšanas laikā pēc ierīces nogādāšanas klientam.

Pirmiausia perskaitykite šią naudojimo instrukciją!

Brangus kliente,

Dėkojame, kad pasirinkote šį „Beko“ prietaisą. Tikimės, kad šiuo prietaisu, kuris buvo pagamintas naudojant aukščiausios kokybės moderniausią technologiją, liksite patenkinti. Dėl to, prieš pradėdami naudoti šį prietaisą, perskaitykite visą šią naudojimo instrukciją bei prie jos pridėjusius dokumentus ir juos pasilikite, jei prireiktų ateityje. Jeigu atiduotumėte šį prietaisą kam nors kitam, kartu atiduokite ir šią naudojimo instrukciją. Laikykitės naudojimo instrukcijoje pateiktų nurodymų, atkreipkite dėmesį į visą informaciją ir įspėjimus.

Atkreipkite dėmesį, kad ši naudojimo instrukcija gali būti taikoma ir kitiems modeliams. Modelių skirtumai yra aiškiai aprašyti šioje instrukcijoje.

Ženklių reikšmės

Įvairiuose šios naudojimo instrukcijos skyriuose naudojami šie simboliai:



Svarbi informacija ir naudingi patarimai, kaip naudoti prietaisą.



ĮSPĖJIMAS: Įspėjimai apie pavojingas situacijas, keliančias pavojų gyvybei ir turtui.



Įspėjimas dėl gaisro pavojaus.



Įspėjimas dėl elektros smūgio.



Šis prietaisas pagamintas moderniose ekologiškose gamyklose,
nedarant žalos gamtai.

1 Svarbios saugos ir aplinkos apsaugos taisyklės

1.1 Bendrieji saugos reikalavimai

- Šiuo prietaisu gali naudotis vaikai nuo 8 metų amžiaus ir fizinę, jutiminę arba protinę negalią turintys asmenys ir patirties bei žinių stokojantys asmenys, su sąlyga, kad jie bus prižiūrimi arba bus išmokyti saugiai naudotis prietaisu ir supažindinti su galimais pavojais.
- Vaikams negalima leisti žaisti su šiuo prietaisu. Vaikai neturėtų valyti ir tvarkyti prietaiso, nebent juos prižiūrėtų suaugusieji.
- Šis prietaisas skirtas buitiniam naudojimui.
- Gaminio darbinė įtampa yra 220-240 voltų ~50 - 60 Hz.
- Jūsų prietaiso maitinimo kabelis turi įžemintą kištuką. Šis kabelis turi būti jungiamas į įžemintą elektros lizdą.
- Elektros montavimo darbus turi atlikti kvalifikuotas elektrikas.
- Dėl neįgalėtų asmenų atliktų montavimo darbų prietaisas gali veikti neefektyviai, gali būti sugadintas ir gali įvykti nelaimė.
- Saugokite maitinimo kabelį, kad montavimo metu jis neužstrigtų ar nebūtų prispaustas. Maitinimo kabelis turi būti nutiestas atokiau nuo kaitlentės. Priešingu atveju kabelis gali išsilydyti ir sukelti gaisrą.
- Nejunkite į elektros lizdą, kol gaminys nebus sumontuotas.
- Pasirūpinkite, kad kilus pavojui būtų galima lengvai pasiekti kištuką ir nutraukti maitinimą.
- Nelieskite lempučių, jeigu jos ilgai švietė. Jos bus karštos, dėl to galite nusideginti rankas.
- Virtuviniai garų rinktuvai yra pritaikyti įprastam maisto gaminimui ir buitiniam naudojimui. Naudojant kitais tikslais gaminys gali sugesti, tokiu atveju garantija negalios.
- Laikykitės kompetentingų valdžios institucijų nustatytų taisyklių dėl ištraukiamojo oro išleidimo (šis įspėjimas netaikomas, jeigu prietaisas naudojamas be dūmtraukio).
- Po prietaisu nederėtų gaminti degių maisto produktų.
- Įjunkite prietaisą po to, kai pastatysite ant kaitvietės puodą, keptuvę ir t.t. Priešingu atveju dėl didelio karščio kai kurios jūsų gaminio dalys gali deformuotis.
- Išjunkite kaitvietę prieš nuimdami nuo jos puodą, keptuvę ir t.t.
- Nepalikite ant kaitvietės karšto aliejaus. Keptuvės su karštu aliejumi

1 Svarbios saugos ir aplinkos apsaugos taisyklės

gali tapti užsidegimo priežastimi.

- Atkreipkite dėmesį į užuolaidas ir uždangalus, nes kepatn, pvz., bulvių šiaudelius, aliejus gali užsiliepsnoti.
- Pasirūpinkite, kad filtrai būtų keičiami laiku. Laiku nepakeitus filtrų dėl ant jų susikaupusių riebalų gali kilti gaisras.
- Vietoje filtro nenaudokite ugniai neatsparių filtravimo medžiagų.
- Nenaudokite prietaiso be filtro, neišimkite filtrų iš veikiančio prietaiso.
- Jeigu kiltų gaisras, nutraukite garų rinktuvo ir maisto gaminimo prietaisų maitinimą. (Ištraukite kištuką iš elektros lizdo arba išjunkite pagrindinį jungiklį).
- Jeigu prietaisas nebus periodiškai tinkamai valomas, gali kilti gaisras.
- Prieš atlikdami prietaiso priežiūros darbus, išjunkite maitinimą. (Ištraukite kištuką iš elektros lizdo arba išjunkite pagrindinį jungiklį).
- Patalpoje, kurioje vienu metu veikia virš elektrinės kaitlentės montuojamas garų rinktuvas ir kiti, ne elektra maitinami prietaisai, neigiamas slėgis neturi viršyti 4 Pa (4 x 10 bar).
- Patalpoje, kurioje naudojamas prietaisas, mazutu arba dujo-

mis kūrenamų prietaisų, pvz., šildytuvo, išmetamos dujos privalo būti visiškai izoliuotos arba tokie prietaisai privalo būti hermetiški.

- Dūmtraukiui prijungti naudokite 120 mm arba 150 mm skersmens vamzdžius. Vamzdžio jungtis turi būti kuo trumpesnė, o alkūnių skaičius - minimalus.
- Vaikams negalima leisti žaisti su šiuo prietaisu.
- Savo pačių saugumui užtikrinti montuodami garų rinktuvą naudokite „MAX 6 A“ saugiklį.
- Pakavimo medžiagos gali kelti pavojų vaikams, dėl to laikykite jas vaikams nepasiekiamoje vietoje.
- Jei maitinimo kabelis yra pažeistas, jį privalo pakeisti gamintojas, jo techninės priežiūros atstovas arba kitas kvalifikuotas asmuo, kad nekiltų pavojaus.
- Jeigu kiltų gaisras, nutraukite garų rinktuvo bei kaitlentės maitinimą ir uždenkite liepsną. Niekada nbandykite gesinti vandeniu.
- Veikiančių maisto gaminimo prietaisų atviros dalys gali įkaisti.
- Šis gaminys neskirtas naudoti asmenims (įskaitant vaikus), turintiems fizinę, juslinę arba protinę

1 Svarbios saugos ir aplinkos apsaugos taisyklės

negalia, arba asmenims, kurie neturi patirties arba žinių, nebent juos prižiūrėtų arba jiems nurodytų, kaip naudotis prietaisu, už jų saugumą atsakingas asmuo.

- Atstumas tarp sumontuoto garų rinktuvo ir elektrinės kaitlentės turi būti ne mažesnis kaip 65 cm.
- Garų rinktuvo išleidimo vamzdžio negalima jungti prie ortakių, kuriuose yra kitų dūmų.
- Prietaisą naudojant toje pačioje patalpoje su orą ir kurą naudojančiais įrenginiais (pvz., šildytuvais; dujomis, dyzelinu, anglimis, malkomis kūrenamais vandens šildytuvais; arba vandens šildytuvais) būtina imtis atsargos priemonių. Garų rinktuvas išleidžia orą į patalpą, o tai gali turėti neigiamos įtakos degimui.
- Šis įspėjimas netaikomas, jeigu prietaisas naudojamas be dūmtraukio.
- Vienu metu patalpoje naudojant virš elektrinės kaitlentės montuojamą garų rinktuvą ir dujomis arba kitu kuru kūrenamus prietaisus ventiliacija gali būti nepakankama (ši nuostata gali būti netaikoma prietaisams, kurie orą išleidžia tik atgal į patalpą).

1.1 Atitiktis EEJA direktyvai ir atitarnavusio gaminio sutvarkymas



Šiame prietaise nėra pavojingų ir draudžiamų medžiagų, nurodytų

Aplinkosaugos ir miesto teritorijų planavimo ministerijos išleistame dokumente „Senų elektrinių ir elektroninių prietaisų išmetimo kontrolės reglamentas“. Atitinka reglamentą dėl elektros ir elektroninės įrangos atliekų (EEJA). Šis gaminytis pagamintas iš aukštos kokybės medžiagų ir dalių, kurias galima perdirbti ir pakartotinai panaudoti. Todėl pasibaigus gaminio tarnavimo laikui, neišmeskite jo kartu su buitinėmis ir kitomis atliekomis. Atiduokite jį į elektros ir elektronikos prietaisų surinkimo punktą. Dėl informacijos apie jūsų regione veikiančius surinkimo punktus kreipkitės į vietos savivaldybę. Pakartotinis medžiagų panaudojimas padės tausoti gamtą ir gamtos išteklius.

1.2 Prietaiso pakuotė



Jūsų gaminio pakuotė pagaminta iš medžiagų, kurias galima perdirbti. Pasirūpinkite, kad pakavimo medžiagos būtų išmestos laikantis taikomų vietos teisės aktų reikalavimų, kad jos būtų perdirbtos tokiu būdu saugant aplinką.

1 Svarbios saugos ir aplinkos apsaugos taisyklės

1.3 Esminis pavojus

Apsinuodijimo pavojus



Pav. 1: Apsinuodijimo pavojus



Pav. 2: Apsinuodijimo pavojus



PAVOJUS! **Įspėjimas - pavojus** **uždusti**

Pakavimo medžiagos kelia pavojų vaikams. Neleiskite vaikams žaisti su pakavimo medžiagomis.

PAVOJUS! **Įspėjimas - mirtinas** **pavojus**

Dėl pakartotinai įtrauktų degimo dujų kyla gyvybei pavojingo apsinuodijimo pavojus. Prietaiso su oro išleidimo anga negalima naudoti kartu su dujomis, mazutu, malkomis arba medžio anglimis kūrenamais nuodingas dujas išskiriančiais prietaisais, pavyzdžiui, oro cirkuliacinėmis krosnimis, šildytuvais, vandens šildytuvais ir t.t., nebent būtų užtikrintas pakankamas oro tiekimas. Pav. 3

Oro cirkuliaciniai įrenginiai (pvz., dujomis, mazutu, malkomis arba medžio anglimis kūrenamos krosnys, šildytuvai, vandens šildytuvai) iš vietos, kurioje yra pastatyti, traukia orą ir per dujų išmetimo sistemą (pvz., ortakį) išleidžia dujas. Dirbdamas prietaisas traukia orą iš virtuvės ir kaimyninių kambarių. Jeigu neužtikrinamas pakankamas oro tiekimas, susidaro vakuumas. Tokiu atveju iš ortakio ir dūmtraukio yra pradedamos traukti nuodingos dujos, kurios patenka atgal į patalpą. Pav. 1

Dėl šios priežasties derėtų pasirūpinti, kad visada būtų tiekiama pakankamai šviežio oro. Pav. 2

1 Svarbios saugos ir aplinkos apsaugos taisyklės

ĮSPĖJIMAS! **Gaisro pavojus!**

Ant alyvos filtro susikaupusi alyva gali užsidegti. Valykite alyvos filtrą bent kartą per tris mėnesius. Nenaudokite prietaiso be alyvos filtro.

Ant alyvos filtro susikaupusi alyva gali užsidegti. Arti prietaiso niekada nenaudokite atviros liepsnos (pvz., negaminkite spiritu apipilamų ir uždegamų patiekalų) Prietaisą montuoti arti kietuoju kuru (pvz., malkomis arba anglimi) kūrenamų šildymo įrenginių galima tik tuo atveju, jeigu toks įrenginys turi nenuimamą uždara gautą. Neturi būti keliami jokių kibirkščių.

Įkaitęs augalinis aliejus ir riebalai lengvai užsiliepsnoja. Įkaitusį augalinį aliejų ir riebalus būtina nuolat atidžiai stebėti. Nebandykite gesinti liepsnos vandeniu.

Išjunkite kaitlentę. Atsargiai uždenkite liepsną dangčiu, priešgaisrine antklode arba panašiu daiktu.



Įjungtos dujinės viryklės, jeigu ant jų nėra virtuvinių indų, skleidžia didelę šilumą. Dėl to virš tokios viryklės sumontuotas ventiliacijos prietaisas gali būti sugadintas arba užsidegti. Dujinės viryklės naudokite tik tada, kai ant jų yra virtuviniai indai.

Vienu metu degant daugiau nei vienam dujų degikliui išskiriama didelė šiluma. Dėl to virš tokios viryklės sumontuotas ventiliacijos prietaisas gali būti sugadintas arba užsidegti. Nustatę didelę liepsną nenaudokite dviejų dujinės viryklės degiklių ilgiau kaip 15 minučių. Didesnės nei 5kW galios degiklis priylgsta dviejų lygių degikliui.

1 Svarbios saugos ir aplinkos apsaugos taisyklės



ĮSPĖJIMAS! **Elektros smūgio pavojus!**

Netvarkingas prietaisas gali nutrenkti elektra. Nesinaudokite netvarkingu prietaisu. Išjunkite jį iš elektros lizdo arba ištraukite saugiklį iš saugiklių dėžutės. Paskambinkite į klientų aptarnavimo centrą.

Nesilaikant instrukcijų atliktas remontas kelia grėsmę. Remonto ir sugadintų elektros kabelių keitimo darbus turi atlikti tik kvalifikuotas mūsų įmonės klientų aptarnavimo tarnybos darbuotojas. Jeigu prietaisas sugedo, išjunkite jį iš elektros lizdo arba ištraukite saugiklį iš saugiklių dėžutės. Paskambinkite į klientų aptarnavimo centrą.

Į prietaisą patekęs vanduo gali sukelti elektros smūgį. Draudžiama valyti aukšto slėgio arba gariniais valymo prietaisais.



PAVOJUS! **Sužalojimų pavojus!**

Montuojant yra pavojus susižaloti į aštrias briaunas. Montuodami prietaisą visada mūvėkite apsaugines pirštines.

Kad būtų išvengta prietaiso nukritimo pavojaus, visi varžtai ir apsauginiai gaubtai turi būti sumontuoti taip, kaip nurodyta naudojimo instrukcijoje.

Ant prietaiso sudėti daiktai gali nukristi. Nedėkite ant prietaiso jokių daiktų.

Šviesos diodas yra itin ryškus ir gali sužaloti akis (1 pavojingumo grupė). Nežiūrėkite tiesiai į šviesos diodą ilgiau nei 100 sekundžių.



ATSARGIAI

Naudojant su maisto gaminimo įrangą liečiamos prietaiso dalys gali įkaisti.



Išjunkite prietaiso saugiklį arba ištraukite prietaiso kištuką iš elektros lizdo, jeigu jis buvo remontuojamas netinkamai arba nesilaikant taisyklių. Remonto darbus gali atlikti tik įgalioto serviso darbuotojai arba įgalioti kvalifikuoti specialistai.

Išjunkite prietaiso saugiklį arba ištraukite prietaiso kištuką iš elektros lizdo, jeigu jis buvo remontuojamas netinkamai arba nesilaikant taisyklių. Remonto darbus gali atlikti tik įgalioto serviso darbuotojai arba įgalioti kvalifikuoti darbuotojai.

1 Svarbios saugos ir aplinkos apsaugos taisyklės



PAVOJUS! **Nudegimų pavojus,** **elektros smūgio pavojus!**

Prieš valydami arba tvarkydami prietaisą palaukite, kol šis atvės. Išjunkite saugiklį arba ištraukite prietaiso kištuką iš elektros lizdo.

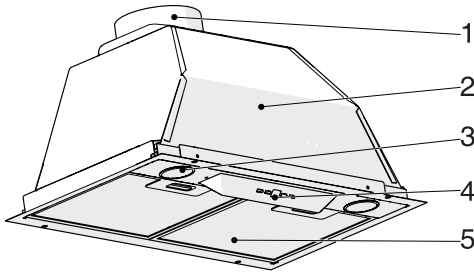
Į vidų prasiskverbusi drėgmė gali pažeisti elektroniką. Niekada nevalykite valdiklių šlapia šluoste.

Netinkamai valant galima pažeisti paviršių. Nerūdijančiojo plieno paviršius valykite tik braukdami šepetį pagal plauką. Nevalykite valdiklių nerūdijančiojo plieno valikliu.

Šveičiamosios arba trinamos valymo priemonės gali pažeisti paviršių. Niekada nenaudokite šveičiamųjų arba trinamų valymo priemonių.

2 Bendra išvaizda

2.1 Apžvalga



1. Oro ištraukimo ortakis
2. Korpusas
3. Kaitlentės apšvietimas
4. Valdymo skydelis
5. Aliuminio folijos filtras

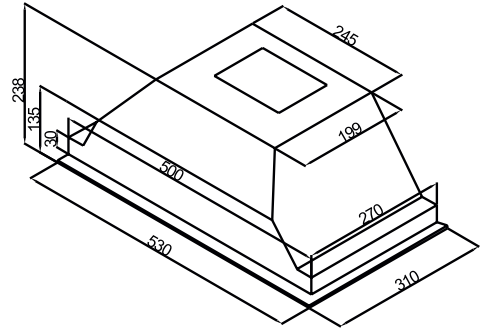
2.2 Techniniai duomenys

CE Šis prietaisas atitinka Europos direktyvą Nr. 2014/30/ES (elektromagnetinio suderinamumo direktyva) ir direktyvą Nr. 2014/35/ES (žemos įtampos direktyva (ŽID)).

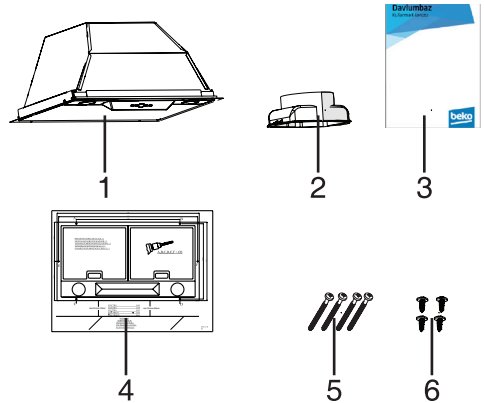
Maitinimo įtampa	220-240V 50 Hz.
Lempučių galia (W)	2x3 W
Variklio galia (W)	1x125 W
Variklio izoliavimo klasė	F
Izoliavimo klasė	I KLASĖ

Pasiekame teisę keisti techninius duomenis ir dizainą. Matmenys techniniuose brėžiniuose nurodyti mm. Šis paveikslėlis yra skirtas tik suteikti informaciją apie prietaiso dalis. Dalys gali skirtis priklausomai nuo prietaiso modelio. Paveikslėliai yra pateikti reprezentatyviai.

2.3 Techninis brėžinys su masteliu



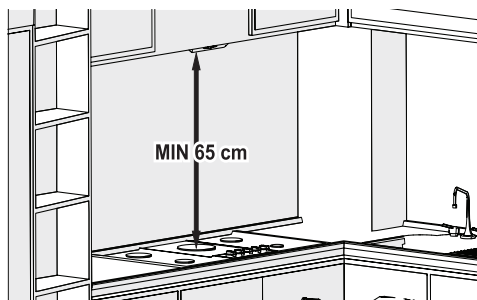
2.4 Pakuotės turinys



1. Garų rinktuvas
2. 120 mm skersmens plastikinis ortakis
3. Naudojimo instrukcija
4. Montavimo brėžinys
5. 4x 4x40 varžtas (Skirtas garų rinktuvui montuoti)
6. 3,5 x 9,5 varžtas (Skirtas plastikiam ortakiui montuoti)

3 Prietaiso montavimas ir naudojimas

3.1 Prietaiso pastatymo vieta



- Prieš montuojant reikia atkreipti dėmesį į atstumą tarp garų rinktuvo ir kaitlentės. Šis atstumas turėtų būti 65 cm.
- Dujinėms viryklėms atstumą reikia matuoti nuo grotelių, o elektrinėms kaitlentėms - nuo stiklinio paviršiaus.



Jūsų naujasis prietaisas energiją naudoja itin taupiai. Šiame dokumente rasite patarimų, kaip naudojant prietaisą sutaupyti daugiau energijos ir kaip deramai sutvarkyti nebetinkamą naudoti prietaisą.

3.2 Ką derėtų daryti norint taupyti energiją;

- Kad gaminant valgį garų rinktuvas veiktų efektyviai ir tyliai, užtikrinkite pakankamą oro įsiurbimą.
- Ventilatoriaus greitį nustatykite atsižvelgdami į garų kiekį virtuvėje. Didelį greitį naudokite tik tada, kai yra būtina. Mažesniu greičiu veikiantis ventilatorius naudoja mažiau energijos.
- Iš anksto nustatykite didesnę ventilatoriaus greitį, jeigu žinote, kad virtuvėje kils tiršti dūmai. Garų rinktuvas turi dirbti kur kas ilgiau, kad ištrauktų po visą virtuvę pasklidusius dūmus.
- Išjunkite garų rinktuvą, kai jo nenaudojate.
- Valykite arba keiskite filtrą nurodytais intervalais, tokiu būdu padidinsite ventilacijos

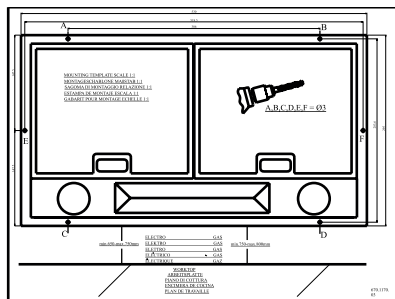
efektyvumą ir neleisite kilti galimo gaisro pavojui.

3.3 Prietaiso montavimas



ATSARGIAI

Atlikdami gręžimo ir pjovimo darbus mūvėkite apsaugines pirštines ir būkite užsidėję apsauginius akinius.

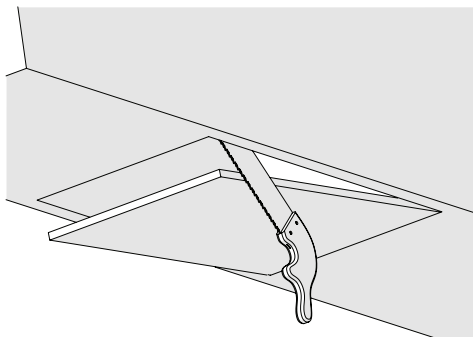


Pav. 6

Tvirtinimo skylių gręžimas

- Priklijuokite kartu su prietaisu tiekiamą montavimo šabloną prie paviršiaus, ant kurio montuosite.
- 4 mm skersmens grąžtu išgręžkite skylės ant šablono raidėmis A, B, C, D pažymėtose vietose.

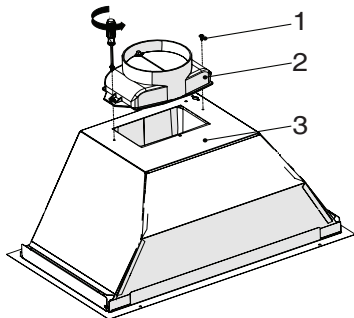
Pav. 7



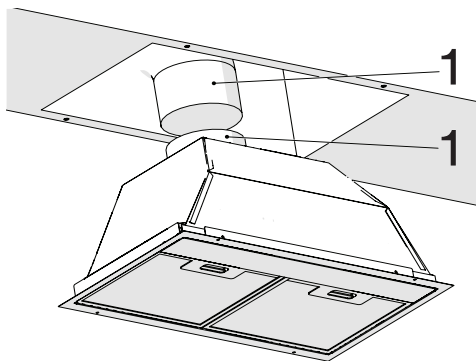
3 Prietaiso montavimas ir naudojimas

- Spintelės, kurioje bus montuojamas garų rinktuvas, apačioje išpjaukite techniniame brėžinyje nurodyto dydžio angą (Pav. 7).

Pav. 8



1. 3,5 x 9,5 varžtas
 2. 120 mm skersmens plastikinis ortakis
 3. Korpusas/Vožtuvas Kaištis Lizdas
- Dviem 3,5 x 9,5 varžtais pritvirtinkite plastikinį ortakį prie prietaiso korpuso. (Pav. 8) Neįtrinkite jo į paviršių. Pav. 8



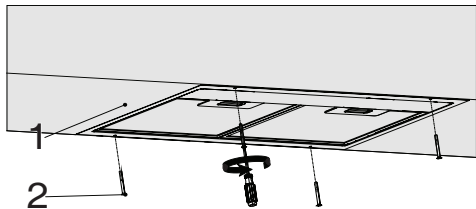
Pav. 9

1. Oro išleidimo vamzdis
 2. Garų rinktuvo oro ištraukimo ortakis
- Pritvirtinkite oro išleidimo vamzdį prie oro ištraukimo ortakio ir užfiksuokite veržikliu (Pav. 9).

ATSARGIAI



Aliuminio vamzdžio išlinkimai ir alkūnės mažina oro siurbimo galią, dėl to jų skaičių reikėtų stengtis sumažinti iki minimumo.

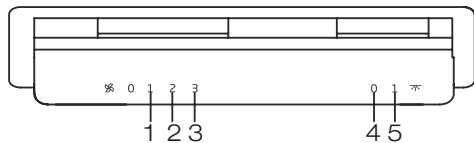


Pav. 10

1. Virtuvės spintelės vaizdas iš apačios
 2. 4x40 garų rinktuvo montavimo varžtas
- Įstatykite garų rinktuvą į virtuvės spintelę ir pritvirtinkite jį prie anksčiau išgręžtų 4 montavimo skylių (Pav. 10).

3.4 Prietaiso naudojimas

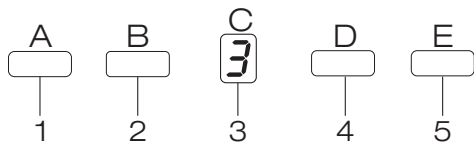
3.4.1 Jungiklio naudojimas



- Lemputės jungiklį nustatykite į padėtį „0“, kad išjungtumėte lempuotę.
- Lemputės jungiklį nustatykite į padėtį „1“, kad įjungtumėte lempuotę.
- Variklio jungiklį nustatykite į padėtį „0“, kad išjungtumėte variklį.
- Variklio greitį galima keisti atsižvelgiant į gaminant maistą kylančių garų tirštumą nuo 1 (mažiausio) greičio iki 3 (didžiausio) greičio.

3 Prietaiso montavimas ir naudojimas

3.4.2 Skaitmeninio jungiklio naudojimas



- A- 1. Lygio mygtukas
- B- 2. Lygio mygtukas
- C- Skaitmeninis ekranas
- D- 3. Lygio mygtukas
- E- Lemputės įjungimo/išjungimo mygtukas

(A) mygtukas: Paspaudus šį mygtuką garų rinktuvas veikia pirmu greičiu. (Rodoma ekrane) Norint išjungti prietaisą antrą kartą paspaudus šį mygtuką ekranas ir garų rinktuvas išsijungia.

(B) mygtukas: Paspaudus šį mygtuką garų rinktuvas veikia antru greičiu. (Rodoma ekrane) Norint išjungti prietaisą antrą kartą paspaudus šį mygtuką ekranas ir garų rinktuvas išsijungia.

(E) mygtukas: Paspaudus šį mygtuką garų rinktuvas veikia trečiu greičiu. (Rodoma ekrane) Norint išjungti prietaisą antrą kartą paspaudus šį mygtuką ekranas ir garų rinktuvas išsijungia.

(C) Skaitmeninis ekranas: Jame rodomas pasirinktas greitis ir įspėjamieji simboliai.

(D) Lemputės įjungimo/išjungimo mygtukas: Paspaudę šį mygtuką galite apšviesti maisto ruošimo zoną.

Metalinų filtrų valymo periodiškumas: Filtrus reikėtų valyti tada, kai ekrane pasirodys simbolis „C“ (kas 60 valandų), arba kas keturias savaites (priklausomai nuo naudojimo). Kai išvalysite ir įstатыsite filtrus atgal, nuspauskite ir 3 sekundes palaikykite A mygtuką (kai prietaisas yra išjungtas), kad ištrintumėte simbolį „C“. Ekrane pasirodys raidė E ir prietaisas pradės veikti įprastu režimu. Jeigu pasirinksite naudoti prietaisą neištrynę C simbolio, paspaudus bet kurį variklio greičio nustatymo mygtuką ekrane 1 sekundę bus rodomas esamas variklio greitis ir po to vėl bus rodomas C simbolis, o variklis dirbs tokiu pasirinktu greičiu.

Automatinis išjungimas po 15 minučių: Jūsų prietaisas turi automatinio išjungimo funkciją; baigus gaminti maistą prietaisas toliau veikia tam tikrą laiką tarpą, kad būtų pašalinti kvapai ir ištraukti garai, o tada automatiškai išsijungia.

Norėdami įjungti automatinio išjungimo funkciją, 3 sekundes palaikykite nuspaudę atitinkamą pasirinkto greičio mygtuką (A, B, D). Po 15 minučių visos prietaiso darbinės funkcijos išsijungs.

3 Prietaiso montavimas ir naudojimas

Jeigu nuspausite atitinkamą pasirinkto greičio mygtuką, kai automatinio išjungimo funkcija yra įjungta, išjungsite automatinio išjungimo funkciją ir prietaiso variklis sustos. Ši funkcija taip pat bus išjungta perjungus kitą greitį. Jeigu norite, kad prietaisas išsijungtų automatiškai, turite iš naujo įjungti prietaiso automatinio išsijungimo funkciją.

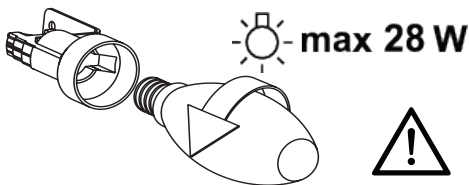
3.5 Lemputės keitimas

3.5.1 Lemputės-žvakutės keitimas

ĮSPĖJIMAS



Išjunkite garų rinktuvo maitinimą. Įkaitusios lempučių gali nudeginti rankas, todėl palaukite, kol šios atvės.



Pav. 11: Lemputės-žvakutės keitimas

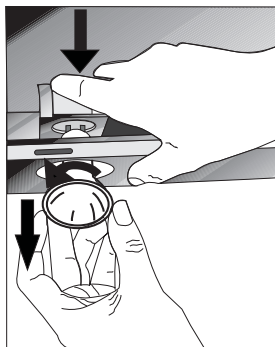
- Nuimkite aliuminį kasetinį filtrą. Išimkite perdegusią lempučių ir pakeiskite nauja tokio paties galingumo lempučių. Pav. 11

3.5.2 Halogeninės lempučių keitimas

☀ max 50 W



IEC



Pav. 12: Halogeninės lempučių keitimas

- Norėdami pakeisti halogenines lempučių iš galinės pusės paspauskite lempučių laikiklį ir ištraukite lempučių žemyn, tada šiek tiek pasukite prieš laikrodžio rodyklę ir ištraukite žemyn. Pav. 12

ĮSPĖJIMAS



Naudokite tik saugias volframo halogenines lempučių arba saugias metalo halogeno lempučių.

PASTABA:



Jeigu prietaisas sugestų arba būtų pažeistas, išjunkite saugiklį arba ištraukite prietaiso kištuką iš elektros lizdo ir iškvieskite įgaliotąjį priežiūros atstovą.

PASTABA:



Jei maitinimo kabelis yra pažeistas, jį privalo pakeisti gamintojas arba jo techninės priežiūros atstovas arba kitas kvalifikuotas asmuo, kad nekiltų pavojaus.

PASTABA:



Jeigu prietaiso lempučių perdegtų, išjunkite saugiklį arba ištraukite prietaiso kištuką iš elektros lizdo. Nedelsdami pakeiskite perdegusias lempučių, kad kitos lempučių nebūtų perkraunamos (prieš tai palaukite, kol lempučių atvės).

4 Valymas ir priežiūra

ATSARGIAI

Pažeidimų dėl korozijos pavojus. Kad nesusidarytų kondensatas, gamindami maistą visada naudokite prietaisą. Dėl kondensato gali atsirasti korozijos pažeidimai. Nedelsdami pakeiskite perdegusias lemputes, kad kitos lemputės nebūtų perkraunamos. Į vidų prasiskverbusi drėgmė gali pažeisti elektroniką. Niekada nevalykite valdiklių šlapia šluoste. Netinkamai valant galima pažeisti paviršių. Nerūdijančiojo plieno paviršius valykite tik braukdami šepetį pagal plauką. Nevalykite valdiklių nerūdijančiojo plieno valikliu. Šveičiamosios arba trinamos valymo priemonės gali pažeisti paviršių. Niekada nenaudokite šveičiamųjų arba trinamųjų valymo priemonių. Yra pavojus, kad atgal tekantis kondensatas gali sugadinti prietaisą. Oro išleidimo iš prietaiso kanalą sumontuokite taip, kad jis būtų nukreiptas 1° žemyn nuo prietaiso.



ATSARGIAI

Šį prietaisą galima naudoti oro ištraukimo ir oro cirkuliacijos režimu.



Oro ištraukimo režimas

Ištrauktas oras yra išvalomas alyvos filtrais ir išleidžiamas per vamzdyną. (Pav. 3) Norint nukreipti nešvarų orą į nenaudojamą dūmtraukį arba išmetamųjų dujų dūmtakį, būtina gauti įgalioto dūmtakių valymo specialisto leidimą. Norint išleisti nešvarų orą per išorinę sieną, derėtų naudoti teleskopinį perėjimą per sieną.



Ištrauktas oras yra išvalomas alyvos filtrais ir aktyviosios anglies filtru ir yra išleidžiamas atgal į virtuvę. Pav. 4



PASTABA!

Nešvaraus oro negalima nukreipti nei į dūmtraukį arba išmetamųjų dujų dūmtakį, nei į patalpų, kuriose sumontuoti šildymo įrenginiai, ventiliacinius ortakius.



Norint sulaikyti kvapą sukeliančias medžiagas, kai prietaisas naudojamas cirkuliacijos režimu, reikia sumontuoti aktyviosios anglies filtrą. Informacijos apie skirtingas galimybes naudoti prietaisą oro cirkuliacijos režimu, teiraukitės įgaliotojo atstovo. Tokiam naudojimui būtinus priedus galima įsigyti atitinkamose pardavimo vietose, iš įgaliotųjų priežiūros atstovų arba internetinėje parduotuvėje.

Jūsų įsigytą prietaisą galima naudoti su anglies filtru. Anglies filtro uždėjimas;

1- Įstatykite anglies filtrą į jo korpusą. Pav. 15/1

2- Pasukite anglies filtrą pagal laikrodžio rodyklę, kad įsitikintumėte, ar šis yra tvirtai įstatytas. Pav. 15/2



Res.13



Res.14



Res.15



Deramai nepritvirtintas anglies filtras gali nukristi ir sugadinti jūsų gaminį.

4 Valymas ir priežiūra



ATSARGIAI

Niekada neplaukite anglies filtrų. Anglies filtrus laikykite vaikams nepasiekiamoje vietoje.



ATSARGIAI

Neprižiūrimi vaikai negali atlikti valymo ir naudotojo atliekamų techninės priežiūros darbų.

- Šveičiamosios arba trinamos valymo priemonės gali pažeisti paviršių. Niekada nenaudokite šveičiamųjų ir trinamųjų valymo priemonių. Jūsų prietaisui tinkančias valymo priemones ir apsaugines medžiagas įsigykite iš įgaliotojo serviso. Prietaiso ir valdiklių paviršius yra neatsparus braižymui.
- Paviršius valykite švelnia ir drėgna šluoste, indų plovimo skysčiu arba švelnia stiklo plovimo priemone. Pridžiuvusius ir prikibusius nešvarumus suminkštinkite drėgna šluoste. Negramdykite!
- Sausos šluostės, subraižyti galinčios kempinės, priemonės, kurias reikia trinti, smėlis ir kitos efektyvios valymo priemonės, kurių sudėtyje yra mineralinio vandens, rūgšties arba chlorido, valymui netinka.
- Nerūdijančiojo plieno paviršius valykite tik paviršiaus nušlifavimo kryptimi.
- Valdymo bloką nevalykite nerūdijančiojo plieno valymo priemonėmis arba šlapiomis šluostėmis. Metalinių alyvos filtrų valymas Senuose metaliniuose alyvos filtruose kaupiasi virtuvėje susidaranti drėgmė ir garuose esančios riebalų dalelės. Reguliariai naudojant prietaisą (nuo 1 iki 2 valandų per dieną), metalinius alyvos filtrus reikia valyti maždaug kartą per 3 mėnesius.
- Nenaudokite pernelyg efektyvių, rūgščių arba šerdinančių valymo priemonių.
- Metalinių alyvos filtrų valymui naudokite drėgną šluostę, ja nuvalykite šiuos filtrus prietaise laikiančias dalis.
- Metalinius alyvos filtrus galima plauti indaplovėje arba rankomis.
- Nepurškite valymo priemonių tiesiai ant prietaiso.
- Nestatykite ant prietaiso degių ir (arba) sunkių

dekoracijų.

4.1 Plovimas indaplovėje

- Plauçant indaplovėje spalva gali šiek tiek pasikeisti. Tai neturi įtakos metalinio alyvos filtro veikimui.
- Išin nešvarių metalinių alyvos filtrų neplaukite kartu su indais.
- Metalinius alyvos filtrus galima į indaplovę sudėkite laisvai. Į indaplovę dedamų metalinių alyvos filtrų nederėtų sugrūsti.

4.2 Plovimas rankomis

- Sunkiai pašalinamiems nešvarumams nuvalyti galima naudoti specialią riebalus tirpdančią priemonę. Šią priemonę galima įsigyti iš įgalioto prekybos centro.
- Pamerkite metalinį alyvos filtrą į karštą vandenį su indų plovimo skysčiu.
- Nuvalykite šepetiu ir palaukite, kol skystis gerai nuvarvės nuo metalinio alyvos filtro. Nuvalytus filtrus gerai išskalaukite.
- Techninės specifikacijos ir ši instrukcija gali būti keičiamos iš anksto neįspėjus.
- Šis prietaisas atitinka Elektros ir elektroninės įrangos atliekų išmetimo kontrolės reglamentą.
- Šis garų rinktuvas yra skirtas naudoti virš kaitlentės. Įsitikinkite, kad siena yra pakankamai tvirta, jog atlaikytų garų rinktuvo svorį. Sienos griovimo arba spintelės pjaustymo ir panašių darbų, kuriuos reikia atlikti norint sumontuoti prietaisą, kaštus turi padengti klientas. Garų rinktuvą galima prijungti prie ortakio, kuriuo įtrauktas oras būtų pašalinamas, arba naudoti atskirai (su anglies filtru). Atkreipkite dėmesį į sunkumus, su kuriais galima susidurti prieš pradėdamą montuoti arba montavimo metu. Montavimą turėtų atlikti įgaliotas aptarnavimo atstovas. Montavimo darbus turėtų atlikti ventiliacijos sistemas išmanantis įgaliotas specialistas. Pramonės ministerijos nustatytas prietaiso eksploatavimo laikas (laikotarpis, kurio metu yra tiekiamas tinkamam prietaiso veikimui užtikrinti reikalingos atsarginės dalys) yra 10 (dešimt) metų.

4 Valymas ir priežiūra

- Kad pernešimo ir pervežimo metu prietaisas ir jo dalys nebūtų pažeistos, prietaisą būtina laikyti originalioje pakuotėje.
- Pernešimo metu prietaisą laikykite įprastoje padėtyje.
- Nenumeskite prietaiso ir saugokite jį nuo pažeidimų transportavimo metu. Gedimams ir pažeidimams, kurie atsirado transportavimo metu po to, kai prietaisas buvo pristatytas klientui, garantija netaikoma.

